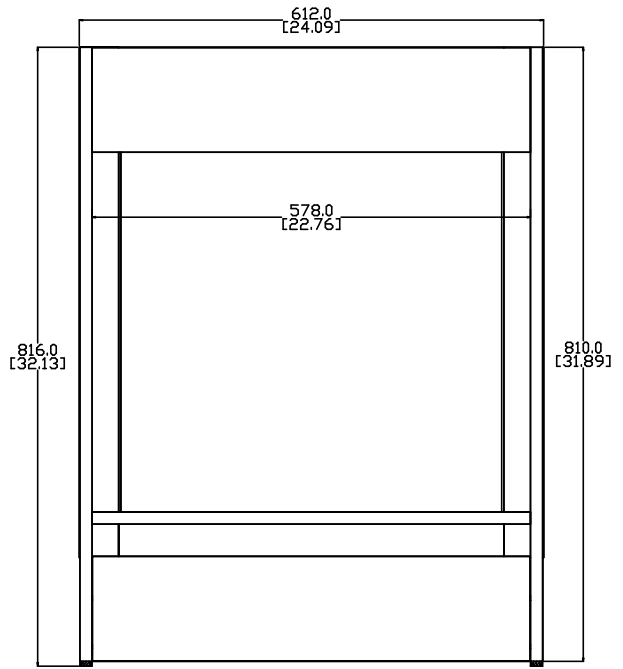


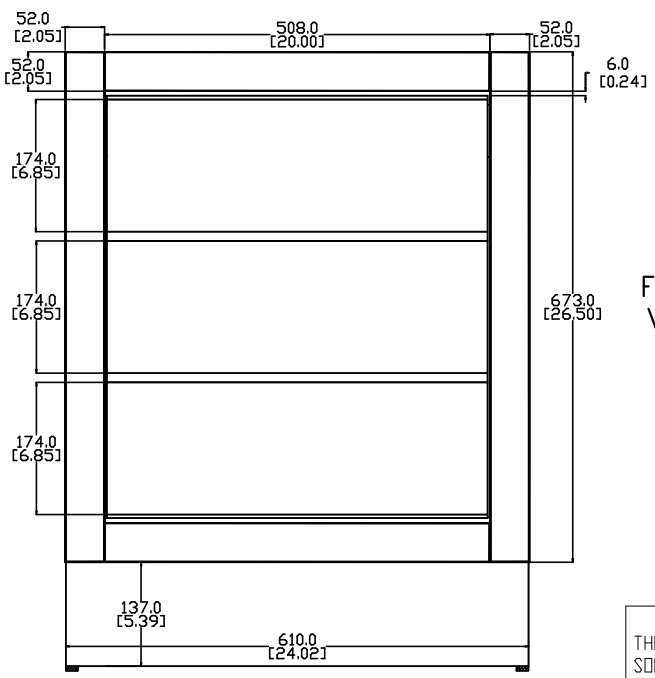
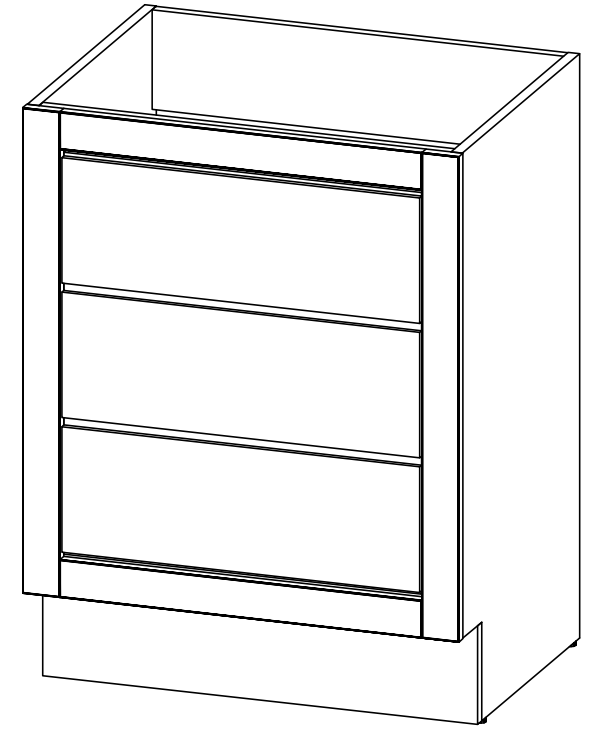
#	ITEM ID	DESCRIPTION
1	CW24P3-VQ	Collinswood 24in Vanity w/Vanity Top & Mirror - Vintage Oak

REV	ECD#	DESCRIPTION	APRVD BY DATE
0		Released	DL 12/07/18

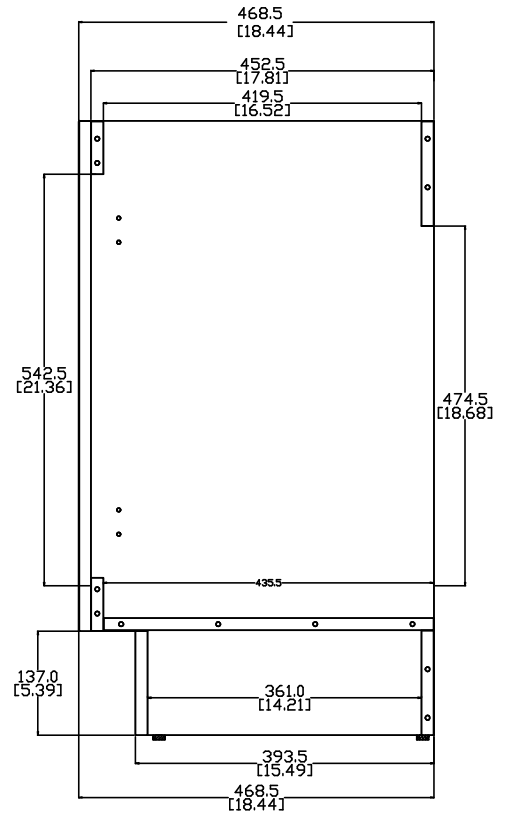


BACK VIEW

ISOMETRIC VIEW



FRONT VIEW



RIGHT SIDE VIEW

	Edge Banding	
(A)	Surface Cabinet Exterior	
(B)	Surface Cabinet Interior	
TAG	SIZE	QUANTITY
①	∅ 3 ↓ 3-9	#
②	∅ 5 ↓ 13	#
③	∅ 5 ↓ 30	#
④	∅ 6 ↓ 13	#
⑤	∅ 6 ↓ 19	#
⑥	∅ 7.5 ↓ THRU	#
⑦	∅ 8 ↓ 11.7	#
⑧	∅ 35 ↓ 11.7	#

PROPRIETARY AND CONFIDENTIAL  
 THE INFORMATION CONTAINED IN THIS DRAWING IS THE  
 SOLE PROPERTY OF WOODCRAFTERS HOME PRODUCTS  
 L.L.C. ANY REPRODUCTION IN PART OR AS A WHOLE  
 WITHOUT THE WRITTEN PERMISSION OF WOODCRAFTERS  
 HOME PRODUCTS L.L.C. IS PROHIBITED.

UNLESS OTHERWISE SPECIFIED  
 DIMENSIONS ARE IN mm  
 and [inches]  
 AND TOLERANCES ARE  
 +/- 1 [0.04]

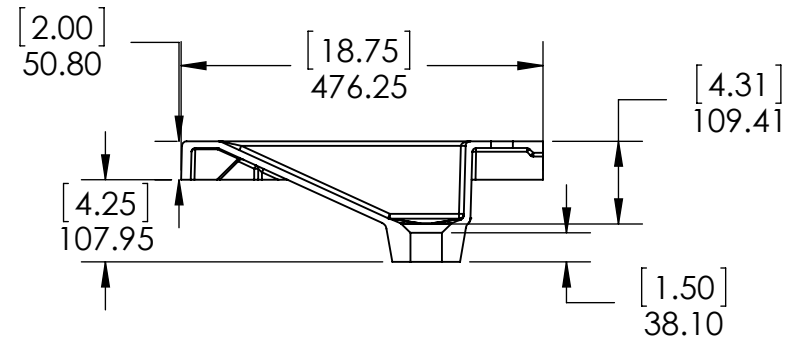
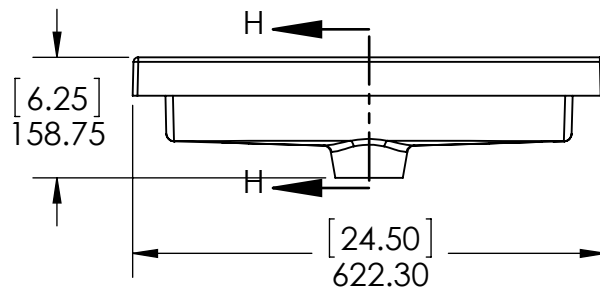
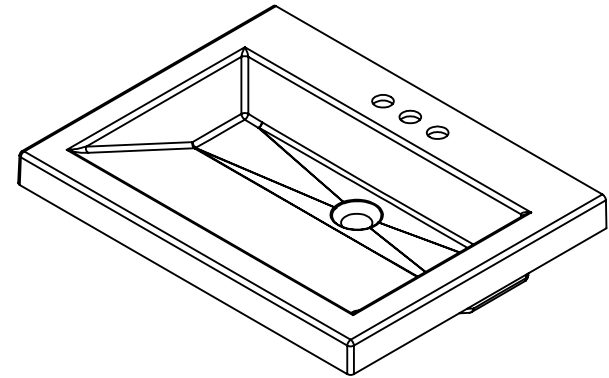
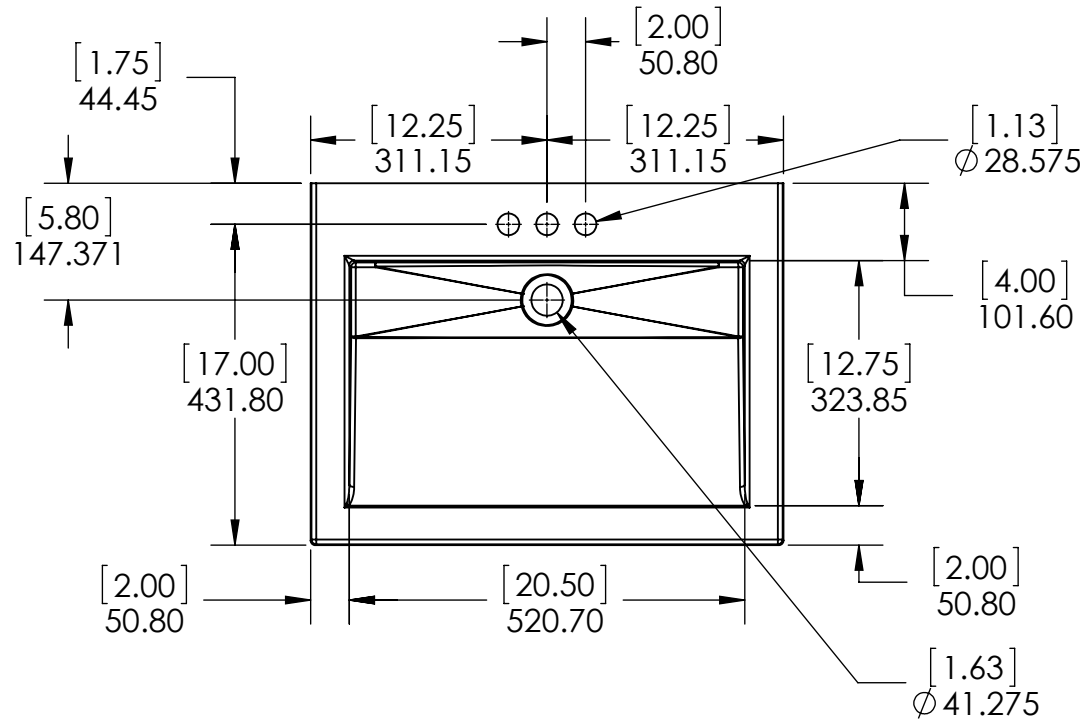
DRAWN BY:	Inar Leal
CHECKED BY:	Juan Sanchez
APPROVED BY:	Alexandro H.
DO NOT SCALE DRAWING	SCALE:



TITLE:	
Collinswood 24in Vanity w/Vanity Top & Mirror - Vintage Oak	
SIZE: A	PART NO: PAGE 1 OF 1
REV: 0	

ID	Description	Technology	Status
595296	VTop Sarah 24.5x18.75 White	AB Composite	Approved for production

Rev #	Approved by	Change
0	R. Rubio	Released



**PROPRIETARY AND CONFIDENTIAL**  
 THE INFORMATION CONTAINED IN THIS DRAWING IS THE  
 SOLE PROPERTY OF WOODCRAFTERS. ANY  
 REPRODUCTION IN PART OR AS A WHOLE WITHOUT THE  
 WRITTEN PERMISSION OF WOODCRAFTERS IS PROHIBITED.

UNLESS OTHERWISE SPECIFIED  
 DIMENSIONS ARE IN MM.  
 AND (INCHES)  
 TOLERANCES ARE  
 +0.125 [3.175] -0.125 [-3.175]  
 SCALE:1:10

	NAME	DATE
DRAWN	J.Martinez	07/15/16
CHECKED	E. Sandoval	07/15/16
ENG APPR.	R. Rubio	07/15/16
MFG APPR.	C. Leal	07/15/16

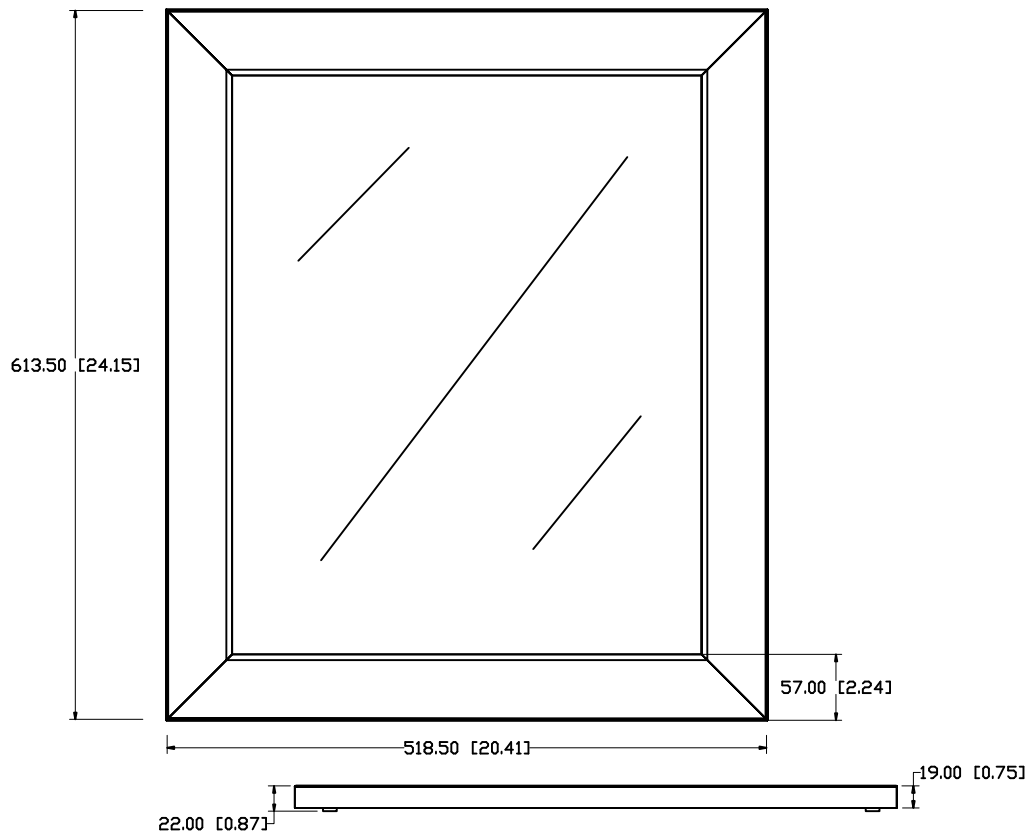
**Wood Crafters**

SIZE DWG. NO. **A** VTop Sarah 24.5x18.75 White

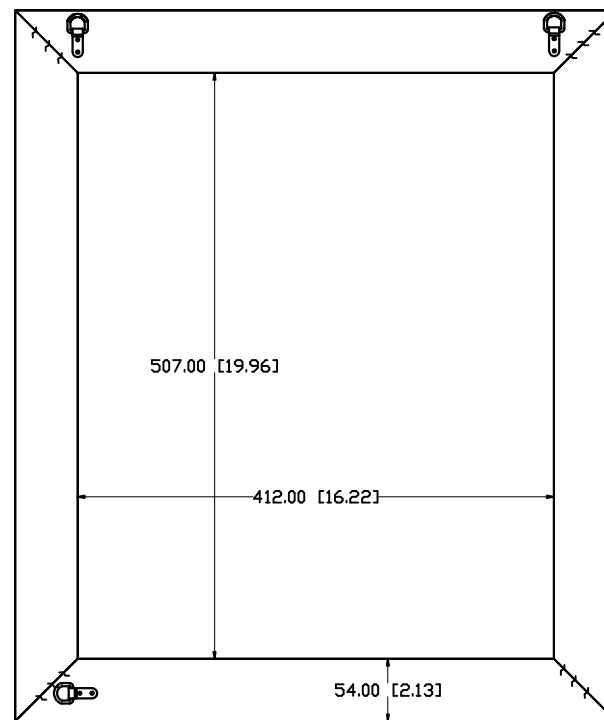
SHEET 1 OF 1 REV: **0**

N.-Item ID	Item Name
1 297079	Wall Mirror Vintage Oak Paper Wrap Int.

FRONT VIEW



BACK VIEW



SIDE VIEW

PROPRIETARY AND CONFIDENTIAL THE INFORMATION CONTAINED IN THIS DRAWING IS THE SOLE PROPERTY OF WOODCRAFTERS HOME PRODUCTS L.L.C. ANY REPRODUCTION IN PART OR AS A WHOLE WITHOUT THE WRITTEN PERMISSION OF WOODCRAFTERS HOME PRODUCTS L.L.C. IS PROHIBITED.	UNLESS OTHERWISE SPECIFIED  DIMENSIONS ARE IN mm and[inches] AND TOLERANCES ARE +/- 1 [0.04]	DRAWN BY:	Carlos Reyes	TITLE:	Molding Paper Wrap Wall Mirror		
		CHECKED BY:	Juan Sanchez				
		APPROVED BY:	Alexandro Hoopo	DO NOT SCALE DRAWING	SCALE: 1:1	SIZE: A	PART NO: PAGE 1 OF 1
		REV: 0					