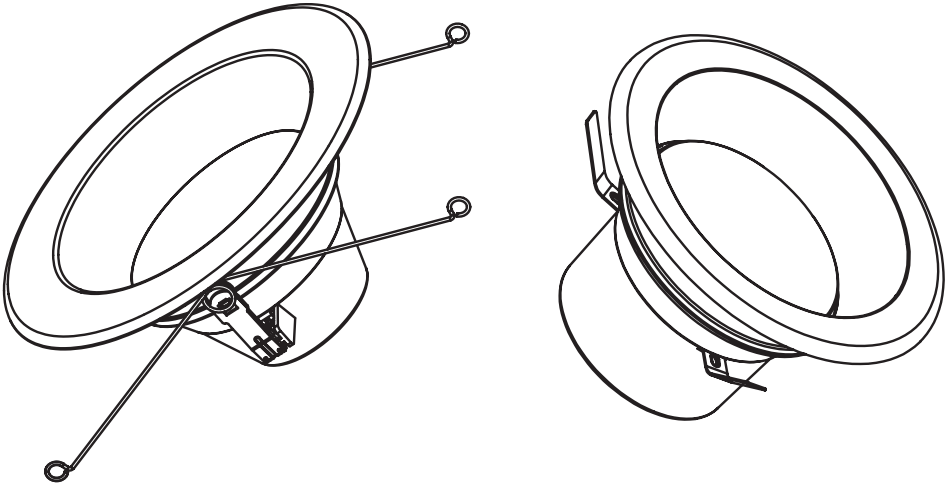


USE AND CARE GUIDE

RECESSED LED DOWNLIGHTS WITH ADJUSTABLE LIGHT OUTPUT



Questions, problems, missing parts? Before returning to the store,
call Commercial Electric Customer Service
8 a.m. - 7 p.m., EST, Monday - Friday
9 a.m. - 6 p.m., EST, Saturday

1-877-527-0313

HOMEDEPOT.COM

ETL CLASSIFIED



Intertek



THANK YOU

We appreciate the trust and confidence you have placed in Commercial Electric through the purchase of this LED light. We strive to continually create quality products designed to enhance your home. Visit us online to see our full line of products available for your home improvement needs. Thank you for choosing Commercial Electric!

Table of Contents

Table of Contents	2	Installation	4
Safety Information	2	Mount to 6 in. Housing with Ears	5
Warranty	3	Mount to 6 in. Housing without Ears.....	6
Pre-Installation	3	Mount to 4 in. Housing	7
Planning Installation	3	Adjusting the Light Output	8
Tools Required	3	Care & Cleaning	9
Package Contents	3	Troubleshooting	9
		Light Distribution	9

Safety Information



WARNING: Carefully read and understand the information given in this manual before beginning the assembly and installation. Failure to do so could lead to electric shock, fire, or other injuries which could be hazardous or even fatal.



WARNING: Ensure the electricity to the wires you are working on is shut off. Either remove the fuse or turn off the circuit breaker.



WARNING: Risk of fire or electric shock. Installation of this LED Retrofit Kit assembly requires a person familiar with the construction and operation of the light fixture's/luminaire's electrical system and the hazard involved. If not qualified, do not attempt installation. Contact a qualified electrician.



WARNING: Install this kit only in luminaires (light fixtures) that have the construction features and dimensions shown in the photographs and/or drawings included in these installation instructions, and where the input rating of the retrofit kit does not exceed the input rating of the luminaire.



WARNING: Do not make or alter any open holes in an enclosure of wiring or electrical components during kit installation.



WARNING: To prevent wiring damage or abrasion, do not expose wiring to edges of sheet metal or other sharp objects.

NOTICE: This equipment has been tested and found to comply with the limits for a Class B digital device, pursuant to Part 15 of the FCC Rules. These limits are designed to provide reasonable protection against harmful interference in a residential installation.

This equipment generates, uses and can radiate radio frequency energy and, if not installed and used in accordance with the instructions, may cause harmful interference to radio communications.

However, there is no guarantee that interference will not occur in a particular installation. If this equipment does cause harmful interference to radio or television reception, which can be determined by turning the equipment off and on, the user is encouraged to try to correct the interference by one or more of the following measures:

- Reorient or relocate the receiving antenna
- Increase the separation between the equipment and the receiver.
- Connect the equipment into an outlet on a circuit different from that to which the receiver is connected.
- Consult the dealer or an experienced radio/TV technician for help.

NOTICE: Minimum lamp compartment dimensions for Model # 53801101: 155 (DIA) mm x 190 (H) mm when used in a 6-inch recessed luminaire.

NOTICE: Minimum lamp compartment dimensions for Model # 53802101: 110 (DIA) mm x 190 (H) mm when used in a 4-inch recessed luminaire.

Warranty

WHAT IS COVERED

The manufacturer warrants this lighting fixture to be free from defects in materials and workmanship for a period of five (5) years from date of purchase. This warranty applies only to the original consumer purchaser and only to products used in normal use and service. If this product is found to be defective, the manufacturer's only obligation, and your exclusive remedy, is the repair or replacement of the product at the manufacturer's discretion, provided that the product has not been damaged through misuse, abuse, accident, modifications, alterations, neglect, or mishandling.

WHAT IS NOT COVERED

This warranty shall not apply to any product that is found to have been improperly installed, set-up, or used in any way not in accordance with the instructions supplied with the product. This warranty shall not apply to a failure of the product as a result of an accident, misuse, abuse, negligence, alteration, faulty installation, or any other failure not relating to faulty material or workmanship. This warranty shall not apply to the finish on any portion of the product, such as surface and/or weathering, as this is considered normal wear and tear.

The manufacturer does not warrant and specifically disclaims any warranty, whether express or implied, of fitness for a particular purpose, other than the warranty contained herein. The manufacturer specifically disclaims any liability and shall not be liable for any consequential or incidental loss or damage, including but not limited to any labor / expense costs involved in the replacement or repair of said product.

Contact the Customer Service Team at 1-877-527-0313 or visit www.HomeDepot.com

Pre-Installation

PLANNING INSTALLATION



WARNING: Shut off the power at the circuit breaker or fuse panel before removing the old fixture.



NOTE: Keep your receipt and these instructions for proof of purchase.

TOOLS REQUIRED



Phillips
screwdriver



Safety
Goggles



Gloves

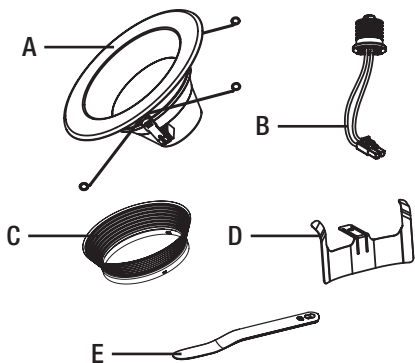


Ladder

Pre-Installation (continued)

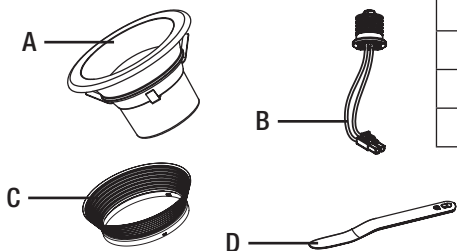
PACKAGE CONTENTS

Item # 1002948990 /Model # 53801101



Part	Description	Quantity
A	LED Light Module	1
B	Medium Base (E26) Socket Adapter	1
C	Ring (Black)	1
D	Friction Clip	2
E	Lever	1

Item # 1002948976 /Model # 53802101



Part	Description	Quantity
F	LED Light Module	1
G	Medium Base (E26) Socket Adapter	1
H	Ring (Black)	1
I	Lever	1

Installation

Before beginning assembly, installation or operation of product, make sure all parts are present. Compare parts with the package contents list. If any part is missing or damaged, do not attempt to assemble, install or operate the product. Contact customer service for replacement parts.

Item 1002948976 /Model # 53802101 should be installed in 4 in. housings only.

Item 1002948990 /Model # 53801101 should be installed in 6 in. housings only.

CHANGING THE BAFFLE RING

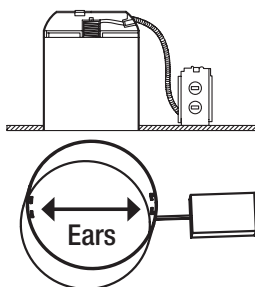
- Use the lever (I) to remove the white ring from the recessed downlight housing, if the black baffle ring (H) is preferred.
- Snap the black baffle ring (H) into the recessed downlight housing.

1 Turning off the power

- Make sure the power is turned off at the source to the recessed can housing where the fixture will be installed. Remove the existing bulb and trim, revealing the socket.

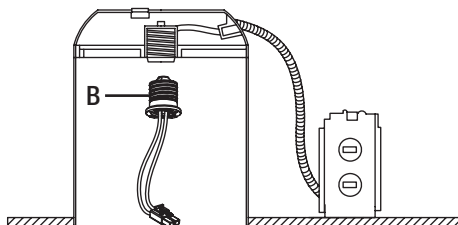


NOTE: Stick the replacement label on the inner wall of the recessed housing before installation.



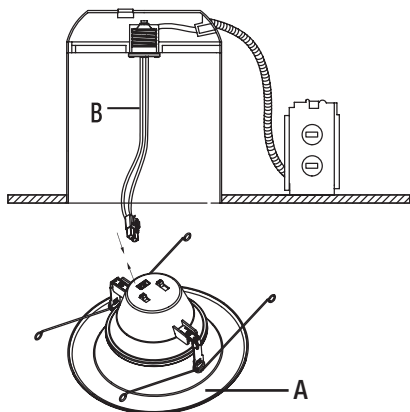
2 Connecting the socket adapter

- Screw the medium base (E26) socket adapter (B) into the socket in the recessed housing.



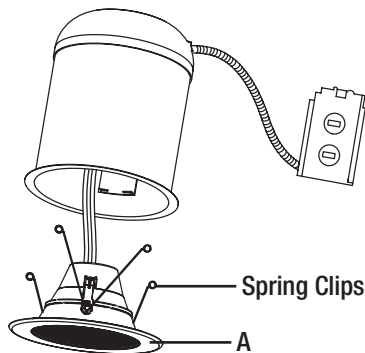
3 Connecting the cables

- Plug the cable connector on the socket adapter (B) into the connector on the LED light module (A).



4 Inserting the spring clips into the recessed can

- Carefully push the LED light module (A) into the recessed can housing until the trim is flush with the ceiling surface.



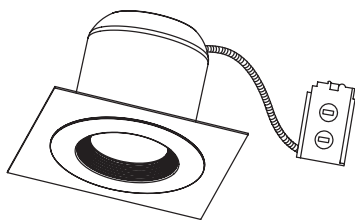
Mount to 6 in. Housing with Ears (continued)

5 Pushing the LED light module into the recessed can

- Carefully push the LED light module (A) into the recessed can housing until the trim is flush with the ceiling surface.



NOTICE: Select the preferred color temperature and brightness before pushing the LED light module into the recessed can housing.



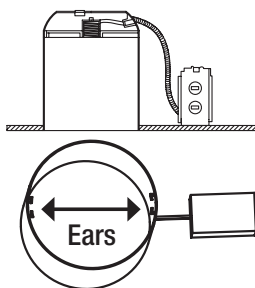
Mount to 6 in. Housing without Ears - Item # 1002948990/Model # 53801101

1 Turning off the power

- Make sure the power is turned off at the source to the recessed can housing where the fixture will be installed. Remove the existing bulb and trim, revealing the socket.

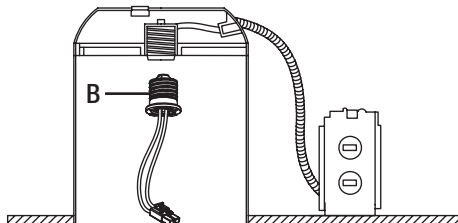


NOTE: Stick the replacement label on the inner wall of the recessed housing before installation.



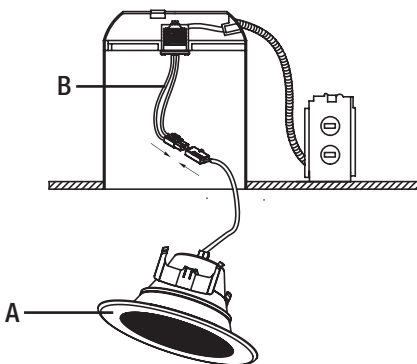
2 Connecting the socket adapter

- Screw the medium base (E26) socket adapter (B) into the socket in the recessed housing.



3 Connecting the cables

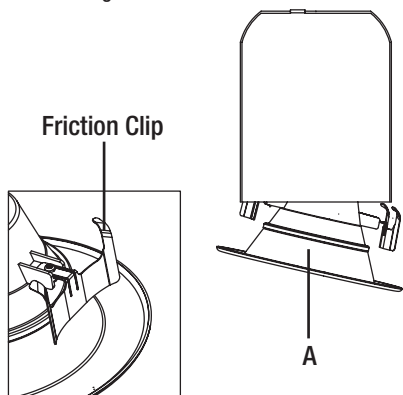
- Plug the cable connector on the socket adapter (B) into the connector on the LED light module (A).



Mount to 6 in. Housing without Ears (continued)

4 Inserting the friction clips into the recessed can

- Insert one side of the downlight into the recessed can and firmly push against the friction clip (C), while inserting the other side into the can housing.

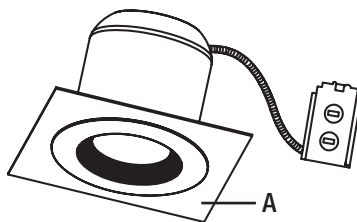


5 Pushing the LED light module into the recessed can

- Carefully push the LED light module (A) into the recessed can housing until the trim is flush with the ceiling surface.



NOTICE: Select the preferred color temperature and brightness before pushing the LED light module into the recessed can housing.



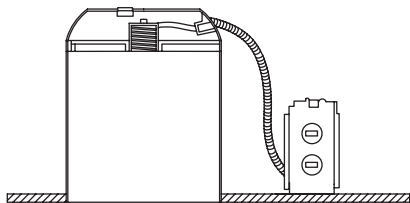
Mount to 4 in. Housing - Item 1002948976/Model # 53802101

1 Turning off the power

- Make sure the power is turned off at the source to the recessed can housing where the fixture will be installed. Remove the existing bulb and trim, revealing the socket.

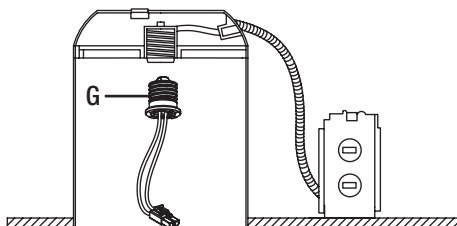


NOTE: Stick the replacement label on the inner wall of the recessed housing before installation.



2 Connecting the socket adapter

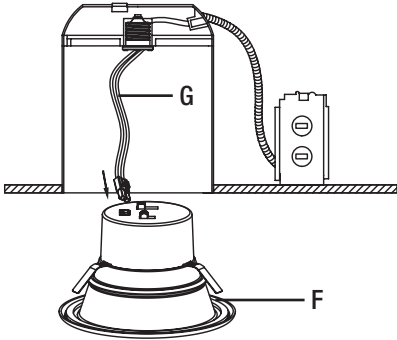
- Screw the medium base (E26) socket adapter (G) into the socket in the recessed housing.



Mount to 4 in. Housing (continued)

3 Connecting the cables

- Plug the cable connector on the socket adapter (G) into the connector on the LED light module (F).

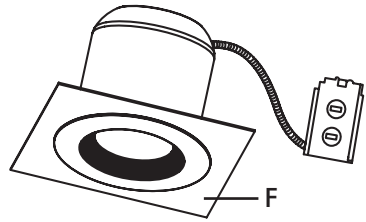


4 Pushing the LED light module into the recessed can

- Carefully push the LED light module (F) into the recessed can housing until the trim is flush with the ceiling surface.



NOTICE: Select the preferred color temperature and brightness before pushing the LED light module into the recessed can housing.



Adjusting the Light Output

This downlight allows you to customize the color temperature and brightness (lumen output) of the light .

- Choose your favorite correlated color temperature (CCT) from five options: 2700K, 3000K, 3500K, 4000K, or 5000K.



NOTE: The factory setting for the correlated color temperature (CCT) is 2700K, which is the warmest white light.

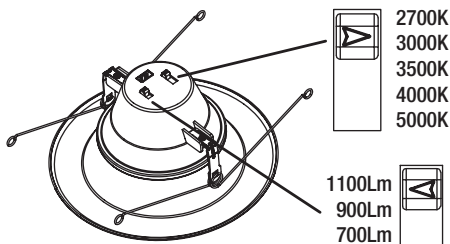
- Choose the desired brightness (lumen output) from three options: 700 lm, 900 lm, or 1100 lm for Model 53801101 and 600 lm, 800 lm, or 1000 lm for Model 53802101.



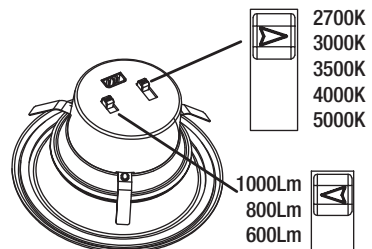
NOTE: The factory setting for the brightness (lumen output) is 1100 lm on Model # 53801101 and 1000 lm on Model # 53802101.

- Move the toggle switch on the side of the LED light module to make your selections before pushing the LED light module into the recessed can housing.

Item # 1002948990 /Model # 53801101



Item # 1002948976 /Model # 53802101



Care & Cleaning



CAUTION: Before attempting to clean the fixture, disconnect the power to the fixture by turning the breaker off or removing the fuse from the fuse box.

- Clean the fixture with a soft, dry cloth.
- Do not use cleaners with chemicals, solvents, or harsh abrasives.

Troubleshooting



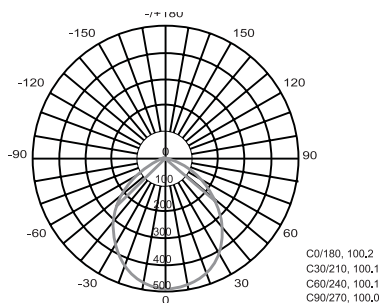
WARNING: Before doing any work on the fixture, disconnect power to the light fixture by turning the breaker off or removing the fuse from the fuse box.

Minor problems often can be fixed without the help of an electrician.

Problem	Possible Cause	Corrective Action
The fixture will not light.	The power is off.	Ensure the power supply is on.
	The circuit breaker is off.	Ensure the circuit breaker is in the on position.
	There is a bad connection.	Check to ensure proper wire connections are made. Contact a qualified electrician.
	There is a defective switch.	Contact a qualified electrician.
The fuse blows or the circuit breaker trips when the light is turned on.	The wires are crossed or the power wire is grounding out.	Check the wire connections. Contact a qualified electrician or call Commercial Electric customer service 1-877-527-0313.

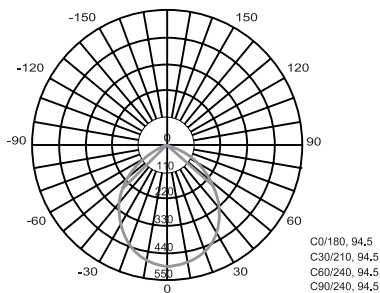
Light Distribution

Model # 53801101



AVERAGE BEAM ANGLE (50%): 100.1 DEG

Model # 53802101



AVERAGE BEAM ANGLE (50%): 94.5 DEG



**Questions, problems, missing parts? Before returning to the store,
call Commercial Electric Customer Service
8 a.m. - 7 p.m., EST, Monday - Friday
9 a.m. - 6 p.m., EST, Saturday**

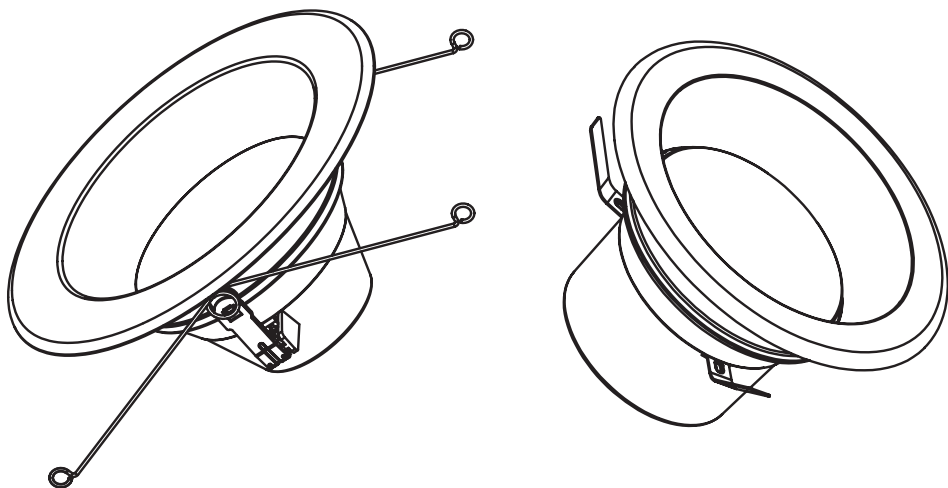
1-877-527-0313

HOMEDEPOT.COM

Retain this manual for future use.

MANUAL DE USO Y CUIDADO

DOWNLIGHTS LED EMPOTRADA CON RENDIMIENTO LUMÍNICO REGULABLE



¿Preguntas, problemas, piezas faltantes? Antes de devolver el producto a la tienda, llame al Centro de Atención al Cliente de Commercial Electric en el horario de 8 a.m. - 7 p.m., Hora del Este de EE.UU., de lunes a viernes. 9 a.m. - 6 p.m., Hora del Este de EE.UU., sábados.



1-877-527-0313

HOMEDEPOT.COM



GRACIAS

Apreciamos la confianza que ha puesto en Commercial Electric a través de la compra de esta luz LED. Nos esforzamos por crear constantemente productos diseñados para realzar su hogar. Visítenos en línea para ver nuestra gama completa de productos disponibles para sus necesidades al momento de hacer mejoras en su hogar. ¡Muchas gracias por elegir a Commercial Electric!

Contenido

Contenido	12	Instalación	14
Información sobre seguridad	12	Instalación en carcasa de 6 pulg. con orejas ..	15
Garantía	13	Instalación en carcasa de 6 pulg. sin orejas ..	16
Previo a la instalación	13	Instalación 4 pulg.	17
Planificación de la instalación	13	Ajustar el rendimiento lumínico.....	8
Herramientas necesarias	13	Cuidado y limpieza	19
Contenido del paquete	14	Solución de problemas.....	19
		Distribución de la luz.....	19

Información sobre seguridad



ADVERTENCIA: Lea cuidadosamente y comprenda la información incluida en este manual antes de comenzar el armado e instalación. No hacerlo puede provocar descarga eléctrica, incendio, u otras lesiones que pueden ser graves o mortales.



ADVERTENCIA: Asegúrese de cortar el suministro eléctrico en los cables con los que trabajará. Extraiga los fusibles o apague el cortacircuitos.



ADVERTENCIA: Riesgo de incendio o descarga eléctrica. La instalación de este conjunto de renovación LED debe ser realizada por una persona familiarizada con la construcción y operación del sistema eléctrico de la lámpara / luminaria y de los posibles riesgos. Si no está calificado, no intente la instalación. Póngase en contacto con un electricista calificado.



ADVERTENCIA: Instale este conjunto únicamente en luminarias (lámparas) que cuenten con las características de construcción y las dimensiones que se muestran en las fotografías o dibujos incluidos en estas instrucciones de instalación, donde la potencia de entrada del conjunto de renovación no supere la potencia de entrada de la lámpara.



ADVERTENCIA: No haga ni altere orificios abiertos en una caja de cableado ni componentes eléctricos durante la instalación del conjunto.



ADVERTENCIA: Para evitar que los cables se dañen o se pelen, no los exponga a los bordes de láminas de metal o a otros objetos afilados.

AVISO: Este equipo ha sido probado y se halló que cumple con los límites establecidos para la clase B de dispositivos digitales, conforme a la Parte 15 de las Normas de FCC. Estos límites se establecen para brindar protección razonable contra interferencia dañina en una instalación residencial.

Este equipo genera, utiliza y puede irradiar energía de frecuencias de radio y, si no se instala conforme a las instrucciones, puede provocar interferencia dañina a las comunicaciones de radio.

Sin embargo, no existe garantía de que la interferencia no se produzca en una instalación en particular. Si este equipo produce interferencia dañina a la recepción de radio o televisión, lo que puede determinarse encendiendo y apagando el equipo, se insta al usuario a intentar corregir la interferencia mediante uno de los siguientes métodos:

- Cambie la orientación o ubicación de la antena receptora.
- Aumente la separación entre el equipo y el receptor.
- Conecte el equipo en un tomacorriente que esté en un circuito diferente al cual está conectado el receptor.
- Consulte con el representante o con un técnico experimentado en radio y televisión para solicitar asistencia.

AVISO: Dimensiones mínimas del vano lámpara para Modelo # 53801101: 155 mm (de diámetro) x 190 mm (de alto) cuando se utiliza en una carcasa empotrable de 6 pulgadas.

AVISO: Dimensiones mínimas del vano lámpara para Modelo # 53802101: 110 mm (de diámetro) x 190 mm (de alto) cuando se utiliza en una carcasa empotrable de 4 pulgadas.

Garantía

CUBRE

El fabricante garantiza que este aparato de iluminación no tendrá defectos en los materiales o en la mano de obra por un periodo de cinco (5) años desde la fecha de compra. Esta garantía se aplica sólo al comprador consumidor original y sólo a los productos que se utilizan y reciben servicio en forma normal. Si se encuentra que este producto tiene defectos, la única obligación del fabricante, y su exclusiva solución, es reparar o reemplazar el producto a su entera discreción, siempre y cuando el producto no se haya dañado debido al mal uso, abuso, accidente, modificaciones, alteraciones, negligencias o mal manejo del mismo.

NO CUBRE

Esta garantía no se aplica a ningún producto que se ha instalado incorrectamente, ajustado o utilizado en una forma que no concuerde con las instrucciones suministradas junto con el producto. Esta garantía no se aplicará a fallas del producto como resultado de un accidente, uso incorrecto, abuso, negligencia, alteración, instalación defectuosa, o ninguna otra falla no relacionada con el material o mano de obra defectuosa. Esta garantía no se aplica a los acabados en ninguna parte del producto, tal como la superficie ni a la acción de los elementos, ya que esto se considera desgaste normal.

El fabricante no garantiza y no acepta responsabilidad, ya sea expresa o implícita de la idoneidad para un fin particular, a excepción de la garantía contenida en el presente. El fabricante niega específicamente cualquier responsabilidad y no será responsable por daños o pérdidas indirectas o consecuenciales, e incluye pero no se limita a los costos de mano de obra, gastos relacionados en el reemplazo o reparación de dicho producto.

Comuníquese con el equipo de Servicio al Cliente al 1-877-527-0313 or visit www.HomeDepot.com

Previo a la instalación

PLANIFICACIÓN DE LA INSTALACIÓN



ADVERTENCIA: Extraiga los fusibles o apague el cortacircuitos antes de quitar la lámpara existente.



NOTA: Guarde el recibo de compra y estas instrucciones como prueba de compra.

HERRAMIENTAS NECESARIAS



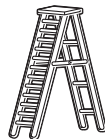
Destornillador de estrella



Gafas de seguridad



Guantes

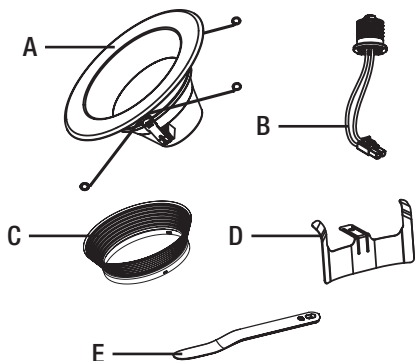


Escalera

Previo a la instalación (continuación)

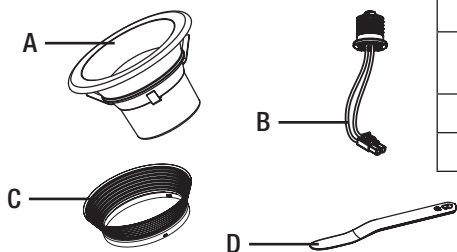
CONTENIDO DEL PAQUETE

Artículo # 1002948990 /Modelo # 53801101



Pieza	Descripción	Cantidad
A	Módulo de luz LED	1
B	Adaptador para portalámpara de base media (E26)	1
C	Anillo (negro)	1
D	Pinza de muelle	2
E	Palanca	1

Artículo # 1002948976 /Modelo # 53802101



Pieza	Descripción	Cantidad
F	Módulo de luz LED	1
G	Adaptador para portalámpara de base media (E26)	1
H	Anillo (negro)	1
I	Palanca	1

Instalación

Antes de comenzar el armado, la instalación o antes de operar el producto, asegúrese de que tiene todas las piezas. Compare las piezas con la lista de contenido. Si falta alguna pieza o si está dañada, no proceda a armar, instalar ni operar el producto. Comuníquese con el servicio al cliente para el reemplazo de las piezas.

Artículo 1002948976 /Modelo # 53802101 puede instalarse en carcasas de 4 pulg solamente.

Artículo 1002948990 /Modelo # 53801101 puede instalarse en carcasas de 6 pulg solamente.

CAMBIAR EL ANILLO DEFLECTOR

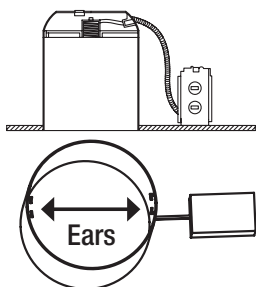
- Si se prefiere el anillo deflector negro (H), use la palanca (I) para quitar el anillo blanco de la carcasa del downlight empotrado.
- Encaje el anillo deflector negro (H) en la carcasa del downlight empotrado.

1 Cortar el suministro eléctrico

- Asegúrese de cortar el suministro eléctrico a la carcasa empotrada donde se instalará lámpara. Retire el reborde y la bombilla existentes, para dejar el portalámpara.

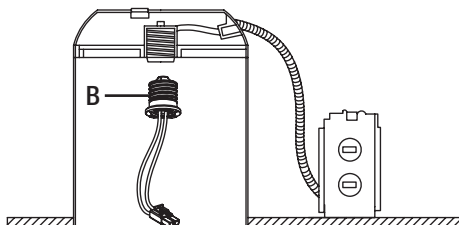


NOTA: Aplique la etiqueta de reemplazo en la pared interior de la carcasa empotrada antes de la instalación.



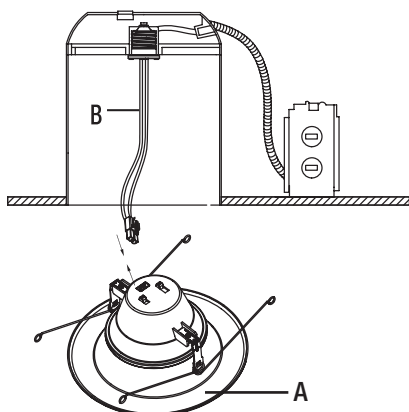
2 Conectar el adaptador para portalámpara

- Enrosque el adaptador para portalámpara (B) de base media (E26) en el portalámpara de la carcasa empotrada.



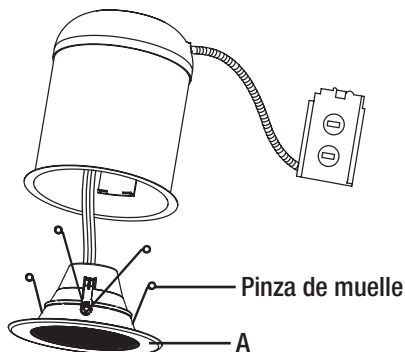
3 Hacer las conexiones eléctricas

- Conecte el conector del cable del adaptador para portalámpara (B) con el conector del módulo de la luz LED (A).



4 Insertar las pinzas de muelle en la carcasa empotrada

- Comprima las pinzas de muelle del módulo de luz LED (A) e insértelos en las orejas en el interior de la carcasa empotrada.



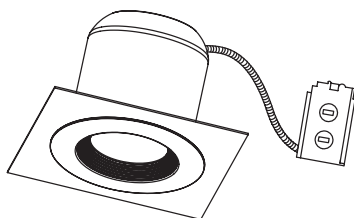
Instalación en carcasa de 6 pul. con orejas (continuación)

5 Empujar el módulo de la luz LED en la carcasa empotrada

- Presione cuidadosamente el módulo de luz LED (A) en la carcasa empotrada hasta que el reborde esté al ras de la superficie del techo.



AVISO: Seleccione la temperatura de color y el brillo preferidos antes de empujar el módulo de luz LED en la carcasa empotrada.



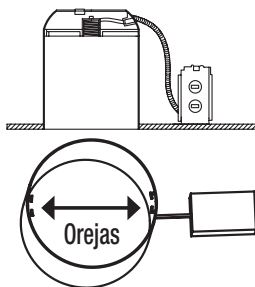
Instalación en carcasa de 6 pul. sin orejas - Artículo # 1002948990/Modelo # 53801101

1 Cortar el suministro eléctrico

- Asegúrese de cortar el suministro eléctrico a la carcasa empotrada donde se instalará lámpara. Retire el reborde y la bombilla existentes, para dejar el portalámpara.

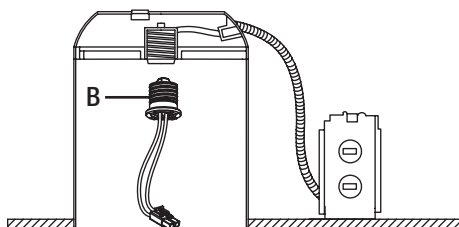


NOTA: Aplique la etiqueta de reemplazo en la pared interior de la carcasa empotrada antes de la instalación.



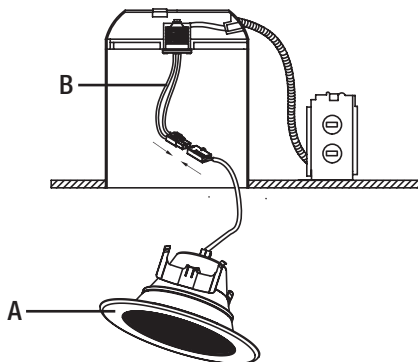
2 Conectar el adaptador para portalámpara

- Screw the medium base (E26) socket adapter (B) into the socket in the recessed housing.



3 Hacer las conexiones eléctricas

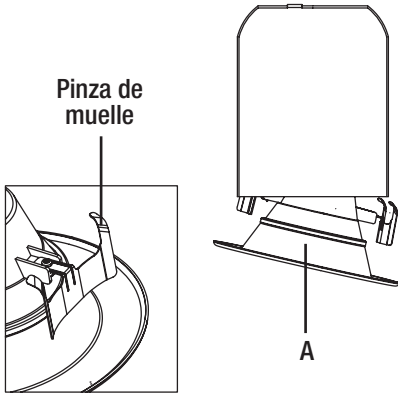
- Conecte el conector del cable del adaptador para portalámpara (B) con el conector del módulo de la luz LED (A).



Instalación en carcasa de 6 pul. sin orejas (continuación)

4 Insertar las pinzas de muelle en la carcasa empotrada

- Comprima las pinzas de muelle del módulo de luz LED (A) e insértelos en las orejas en el interior de la carcasa empotrada.

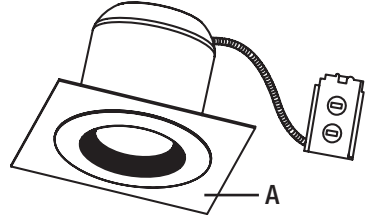


5 Empujar el módulo de la luz LED en la carcasa empotrada

- Presione cuidadosamente el módulo de luz LED (A) en la carcasa empotrada hasta que el reborde esté al ras de la superficie del techo.



AVISO: Seleccione la temperatura de color y el brillo preferidos antes de empujar el módulo de luz LED en la carcasa empotrada.



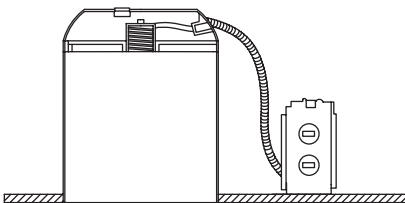
Instalación en carcasa de 4 pulg. - Artículo 1002948976/Modelo # 53802101

1 Cortar el suministro eléctrico

- Asegúrese de cortar el suministro eléctrico a la carcasa empotrada donde se instalará lámpara. Retire el reborde y la bombilla existentes, para dejar el portalámpara.

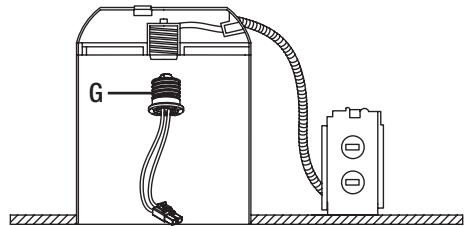


NOTA: Aplique la etiqueta de reemplazo en la pared interior de la carcasa empotrada antes de la instalación.



2 Conectar el adaptador para portalámpara

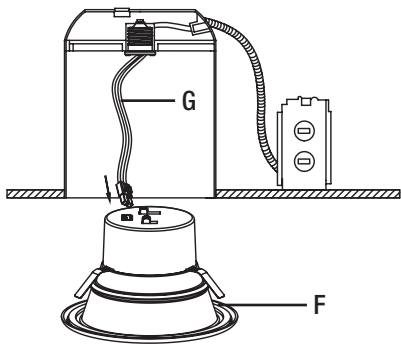
- Enrosque el adaptador para portalámpara (G) de base media (E26) en el portalámpara de la carcasa empotrada.



Instalación en carcasa de 4 pulg. (continuación)

3 Conectar el adaptador para portalámpara

- Enrosque el adaptador para portalámpara (G) de base media (E26) en el portalámpara de la carcasa empotrada (F).

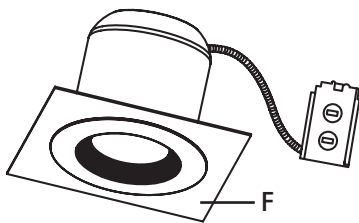


4 Empujar el módulo de la luz LED en la carcasa empotrada

- Presione cuidadosamente el módulo de luz LED (F) en la carcasa empotrada hasta que el reborde esté al ras de la superficie del techo.



AVISO: Seleccione la temperatura de color y el brillo preferidos antes de empujar el módulo de luz LED en la carcasa empotrada.



Ajustar el rendimiento lumínico

Este downlight le permite personalizar la temperatura de color y el brillo (lúmenes) de la luz.

- Elija su temperatura de color correlacionada (CCT) favorita a partir de cinco opciones: 2700K, 3000K, 3500K, 4000K, o 5000K.



NOTA: El ajuste inicial de la temperatura de color correlacionada (CCT) es 2700K, que es la luz blanca cálida.

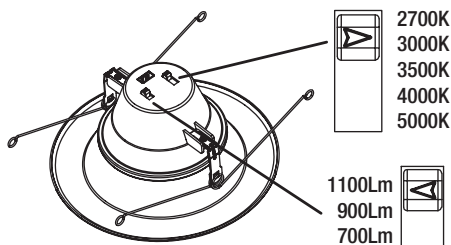
- Elija el brillo deseado (lúmenes) a partir de tres opciones: 700 lm, 900 lm, o 1100 lm por el Modelo 53801101, y 600 lm, 800 lm, o 1000 lm por el Modelo 53802101.



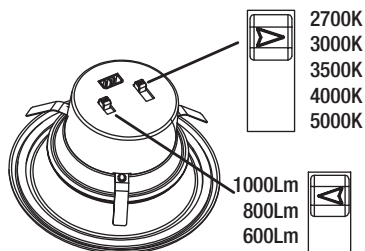
NOTA: El ajuste inicial del brillo (lúmenes) es 1100 lm por el Modelo 53801101, y 1100 lm por el Modelo 53802101.

- Ajuste el conmutador en el lado del módulo de luz LED para hacer su selecciones antes de empujar el módulo de luz LED en la carcasa empotrada.

Artículo # 1002948990 /Modelo # 53801101



Artículo # 1002948976 /Modelo # 53802101



Cuidado y limpieza



PRECAUCIÓN: Antes de limpiar el aparato, desconecte el suministro eléctrico hacia este apagando el cortacircuitos o extrayendo el fusible de la caja de fusibles.

- Limpie la lámpara con un paño suave y seco.
- No utilice limpiadores con productos químicos, solventes o abrasivos.

Solución de problemas



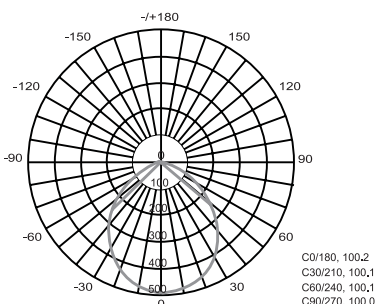
ADVERTENCIA: Antes de realizar cualquier trabajo en el aparato, desconecte el suministro eléctrico hacia este apagando el cortacircuitos o extrayendo el fusible de la caja de fusibles.

Los problemas menores pueden arreglarse sin ayuda de un electricista.

Problema	Causa posible	Medida correctiva
La lámpara no enciende.	El suministro eléctrico está cortado.	Asegúrese de que el suministro eléctrico esté activado.
	El interruptor está apagado.	Asegúrese de que el interruptor esté en la posición de encendido.
	Hay una mala conexión.	Asegúrese de que se hayan conectado los cables de forma correcta. Comuníquese con un electricista calificado.
	Hay un interruptor defectuoso.	Comuníquese con un electricista calificado.
El fusible se quema o salta el interruptor cuando se enciende la lámpara.	Los cables están cruzados o el cable de suministro eléctrico no está puesto a tierra.	Verifique las conexiones de los cables. Comuníquese con un electricista calificado o llame al Centro de Atención al Cliente de Commercial Electric 1-877-527-0313.

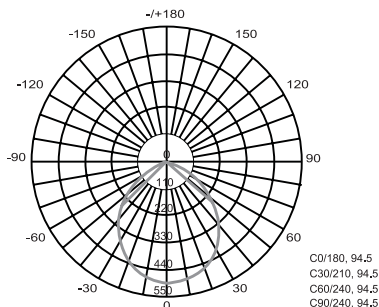
Distribución de la luz

Modelo # 53801101



ÁNGULO PROMEDIO DE HAZ (50%): 100.1 DEG

Modelo # 53802101



ÁNGULO PROMEDIO DE HAZ (50%): 94.5 DEG



¿Preguntas, problemas, piezas faltantes? Antes de devolver el producto a la tienda, llame al Centro de Atención al Cliente de Commercial Electric en el horario de 8 a.m. – 7 p.m., Hora del Este de EE.UU., de lunes a viernes.
9 a.m. – 6 p.m., Hora del Este de EE.UU., el sábado.

1-877-527-0313

HOMEDEPOT.COM

Conserve este manual para uso futuro.