



## Troubleshooting:

Malfunctions	Reasons	Solution
• No Incoming Water	1. The main water valve is not open 2. Incoming water filter net is clogged 3. Fill valve need adjustment	1. Turn on the valve 2. Clean the net 3. Readjust fill valve
• Non-Stop Incoming Water	1. High water pressure 2. Flush Valve leaking 3. Water inlet valve is broken	1. Reduce water pressure 2. Readjust flush valve 3. Call your dealer to replace inlet valve
• Inadequate Flushing Water	1. The water level of fill valve is too low 2. The push button does not reach pushing point 3. Press the wrong button	1. Adjust the fill valve to appropriate position 2. Adjust water level rod 3. Identify small and large flushing button, or call your dealer
• Slow Drainage or Inadequate Suction	1. The drainage outlet is not aligned with the outside drainage pipe 2. Drainage pipes are obstructed	1. Readjust or reinstall the product 2. Clean the drainage pipes
• Leakage	1. The nuts of water inlet valve are not fastened 2. The water supply spacer of inlet valve is damaged	1. Fasten the nuts 2. Change the water supply spacers
• Overflow From Drainage Pipe	1. Drainage pipe is obstructed 2. Water outlet pipes are obstructed	1. Clean the drainage pipes 2. Clean the water outlet pipes

## Pre-Cautions

1. Do not throw newspaper, diapers, sanitary napkins, or similar articles in the toilet bowl.
2. To maintain the normal flushing function of the toilet, please use a long handle nylon brush and a neutral cleanser to clean bowl to prevent the accumulation of mineral substances. It is suggested to clean your toilet once a week.
3. Clean the filter at least once a month to prevent slow water inletting or water blockage in the tank. Clean only with a mild soap solution. Avoid using any cleaner that is abrasive or caustic.
4. Do not use any cleanser in the tank, otherwise the rubber accessories in the tank may be damaged, causing leakage.
5. Introducing chemicals into the tank cavity including toilet bleach or cleanser tablets will void manufacture's warranty.
6. Do not allow the water closet to freeze while water is present in any component of the fixture.

Please follow what is specified below to avoid discoloration, deformation, fine cracks, or scratches on the toilet seat:

1. Do not expose the toilet seat to sunlight or sources of heat
2. Do not use sharp or abrasive materials to clean the toilet seat
3. Do not use corrosive chemicals to clean the toilet seat

## Magic Flush® Product Installation Manual

WHMFL3364-EB

## Before Installing:

1. Please read instructions carefully prior to installation.
2. Inspect box and its contents to verify the product is free from damage.
3. Turn off water supply drain and remove existing toilet is necessary.
4. Use an old rag to temporarily stuff in closet flange hole to block sewer gas from entering premises.
5. Verify that the closet flange is clean and is free from any foreign substance (paint, drywall mud, old wax ring, etc.). If necessary, use a putty knife to clean surface of the closet flange.

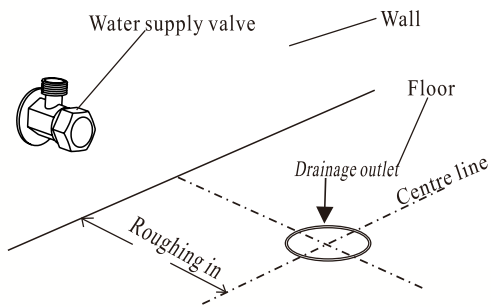
- NOTE:**
1. We reserve the right to change the features, packing and fittings of the product without notice.
  2. Please keep the installation instructions accessible (including installation procedure, fitting form, troubleshooting, and notice).
  3. Closet flange is not included.

## Common Tools Needed:

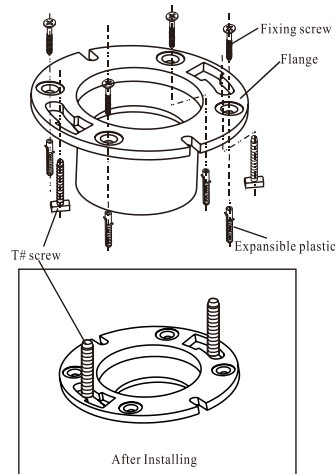
- Monkey Wrench
- Pipe Wrench
- Tapeline
- Percussive Drilling
- Level
- Screw Driver
- Hacksaw
- Sinker
- Water Supply Valve
- Connecting Soft Pipe
- Silicone
- Flange
- Toilet Shims

## Installation Procedure:

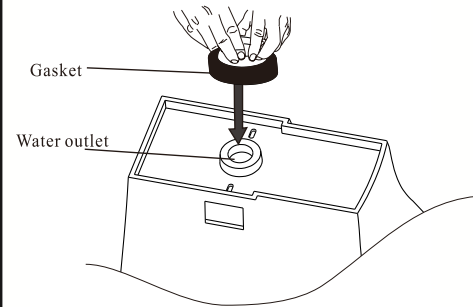
1. Install Angle Stop (water supply valve) if necessary.



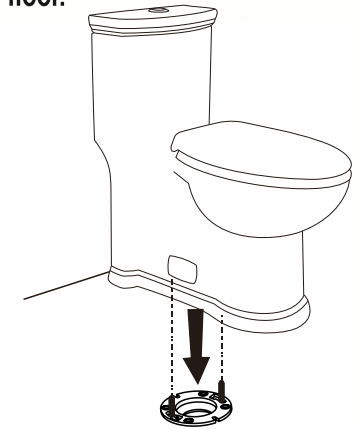
2. Align the T# screw closet bolts upward through the closet flange as shown in the drawing below. Verify that the closet flange is also properly anchored to the sub floor before proceeding to the next step.



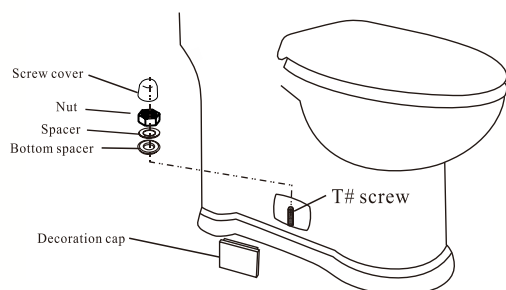
3. Carefully invert water closet and press new wax ring snugly at outlet collar at bottom of the toilet. Next, remove the rag at the closet flange penetration through the floor.



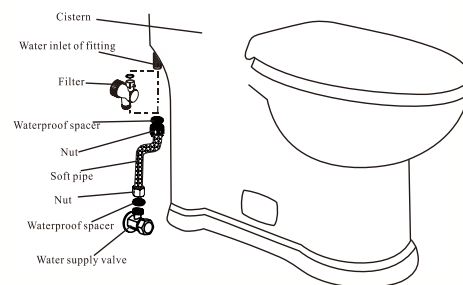
4. Flip water closet upright and gently set the toilet on the closet flange making sure to line up the T# screw closet bolts in alignment with the two holes at the base of the toilet. Firmly press the water closet towards the floor, until the water closet sits level on the floor.



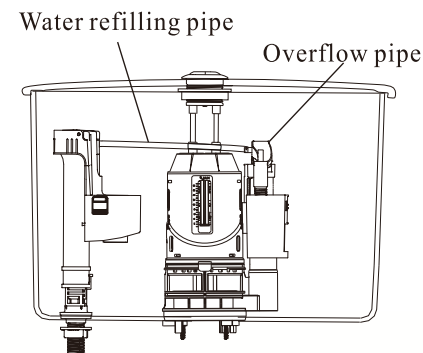
5. Install the spacer nuts and screw covers by accessing the T# screw closet bolts from the rear and side of the water closet. Tighten both sides by hand first, rotating from side to side until the water closet is snug and level against the floor. Next tighten with a wrench again, rotating side to side until the water closet is firmly set and level on the finished floor. **DO NOT OVERTIGHTEN.** Over tightening can cause the porcelain to crack, voiding product warranty.



6. Connect the water supply line to the angle stop and tighten with a crescent wrench then connect the other end of the water supply line to the toilet and tighten by hand making sure to not overtighten.



7. Gently turn water on at wall and fill water closet tank periodically, checking for leaks at water supply connections. Adjust water levels if needed. Flush toilet 15-20 times verifying there are no leaks at the wax ring before proceeding to the next step.



8. Install seat on water closet according to installation instructions. Apply a bead of plumbers caulk filling the gap between the floor and the base of the toilet.

