

# TOILET SUPPLY KIT

Cat. No.  
I308

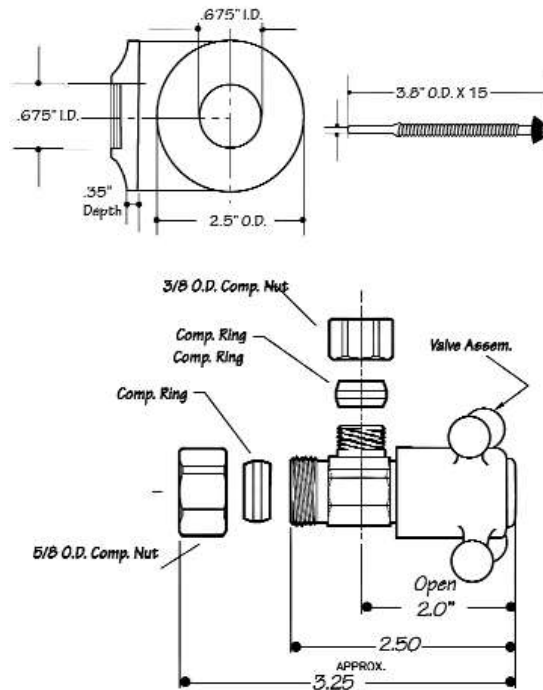


## Features:

- ▶ Includes 1 angle valve
- ▶ Cross handle
- ▶ 5/8" O.D. 1/2" compression inlet
- ▶ 3/8" O.D. compression outlet
- ▶ 1/4 turn ceramic disc cartridge
- ▶ Flat sure-grip brass flange included
- ▶ Includes 3/8" x 15" corrugated supply tube
- ▶ Available in 5 Finishes

## Finishes:

<b>CP</b> Polished Chrome	<b>PN</b> Polished Nickel
<b>BN</b> Brushed Nickel	<b>ORB</b> Oil Rubbed Bronze
<b>VB</b> Venetian Bronze	



Dimensions and specifications subject to change without notice.