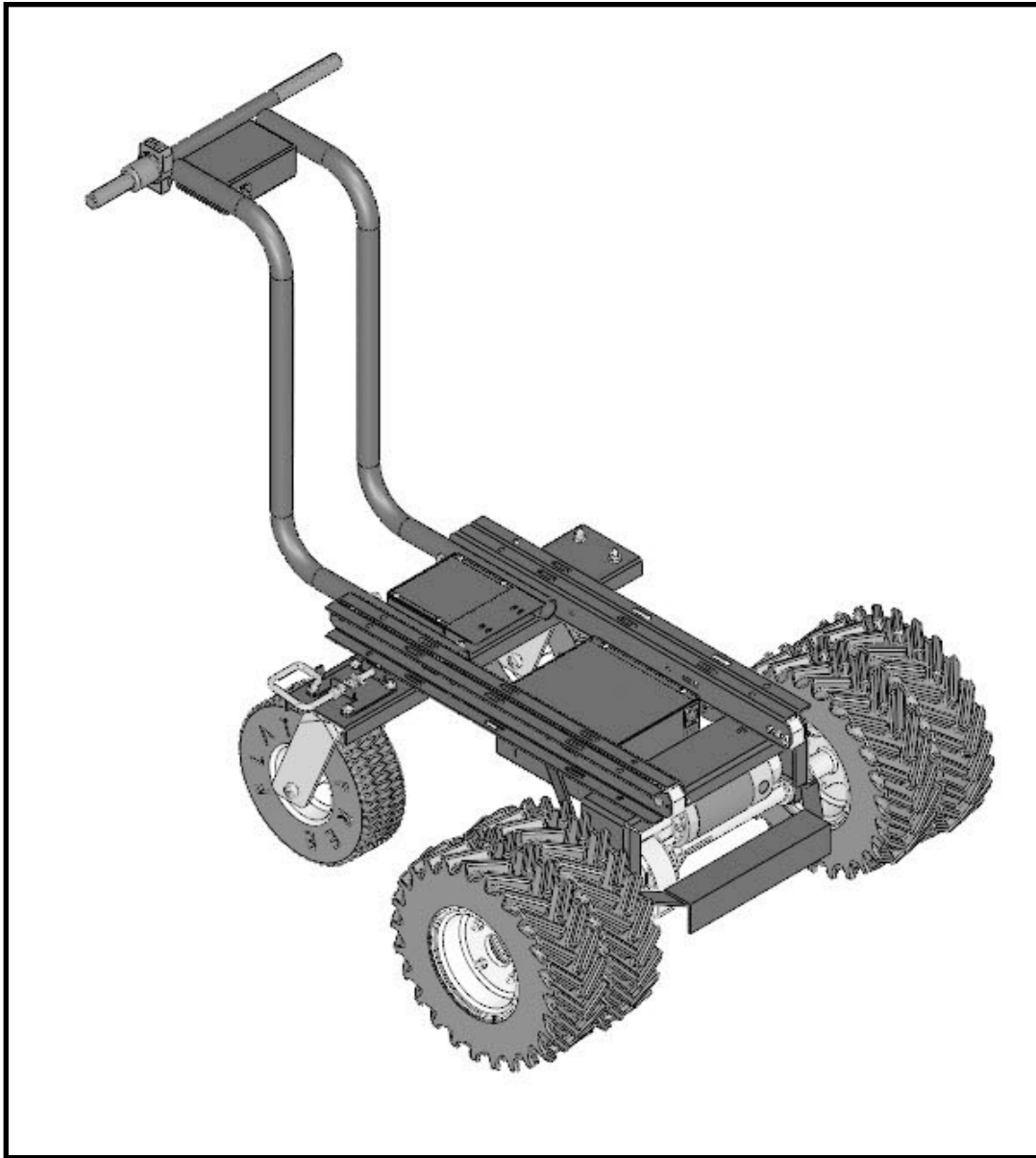


97011-3

OWNERS MANUAL



Covers the following models:

C27-XM
C27-XA

C27-8M
C27-8A

C27-10M
C27-10A

C44-XM
C44-XA

C44-9M
C44-9A



5670 La Costa Canyon Ct.
Las Vegas, NV. 89139
800-798-4521 Fax: 702-798-7064
contact@snaploc.com www.snaploc.com

TABLE OF CONTENTS

Warranty	3
Operation & Maintenance.....	4
Dimensions.....	6
Battery Replacement.....	7
Battery Pack Assembly	8
Handle & Chassis Assembly	10
Axle Assembly	12
Optional Add Ons.....	14
Decals.....	15

WARRANTY

Carts, excluding finishes, casters, wheels are warranted for (1) year from date of original purchase.

Power unit components are warranted for 90 days from the date of original purchase.

We will repair, without any charge, any defect due to faulty material or workmanship. These warranties do not cover failures due to abuse, misuse, improper installation, accidental damage or when repairs or modifications have been made or attempted to be made by anyone other than Snap-Loc. Any defective products that meet warranty specifications and Snap-Loc approval, may be returned to the factory to be repaired or replaced free of charge. (Snap-Loc will pay to ship replacement item(s) to the customer; however the customer is responsible for the shipment of products to the factory.)

This remedy is the sole remedy in contract, tort or otherwise, and Snap-Loc is not liable for incidental, consequential or special damages.

These warranties give you specific legal rights, and you may not have other rights which vary from state to state. Should you have any questions, contact Snap-Loc (Proof of purchase may be required).

OPERATION & MAINTENANCE

How long do the batteries last on a single charge?

It is completely dependent upon how much weight is being carried, the type of terrain, and the softness or hardness of the surface. We estimate a range from a minimum of two hours of continuous use, up to six hours of continuous use. PLEASE NOTE: Most use is not continuous, so actual use time is typically much longer.

How long will the batteries last before needing to be replaced?

The batteries are designed to last for 300-500 charge/discharge cycles, which translate into approximately 1-2 years. The batteries are common, and can be purchased from Snap-Loc or at your local hardware store.

Will tipping the unit hurt the batteries, electronics, or drive system?

No. Batteries, electronics, and drives can operate in any orientation.

What is the maximum speed?

All Power Carts can operate from approximately 0 to 3 miles per hour forward, and 0-3.0 miles per hour in reverse.

While pushing my Power Cart, it suddenly decelerates aggressively. What causes this?

There is a safety feature on your Power Cart called "Push Too Fast." It is designed to prevent the cart from running away when the brake is manually disengaged.

Why does my Power Cart lose traction when one wheel is off the ground?

The drive system is an open differential that allows the machine to efficiently make turns without skidding the tires. The drawback is that if one of the drive tires leaves the ground, it will simply spin until all tires are back on the ground.

Is a balanced load important to the performance?

Yes. Balancing the load so that it is not top-heavy or side-loaded, will allow much safer operation. Furthermore, most of the load should be located over top of the drive wheel(s) for better traction.

How do I clean my Power Cart?

Simply remove all debris, hose it down with soapy water, and towel dry. We do not recommend using a pressure washer.

What maintenance is required?

Not much, really! Simply remember to always recharge when not in use. If storing for an extended period of time, leave the unit on charge – especially in cold climates. The drive system is sealed for life, thus no lubrication is required. Keep the unit dry to enhance its life and appearance. It is recommended that the batteries be replaced once every 12 months.

What is the recommended tire pressure?

Follow the tire pressure listing on the tire. You will get the best performance and range if the tires are properly inflated, but DO NOT OVER-INFLATE. The Power Cart drive tires are just like any other tube tire. We recommend taking the tire to a local service station for repair. Snap-Loc does offer filled "flat free" drive tire that will never go flat.

OPERATION & MAINTENANCE

Can I operate my Power Cart in the rain?

Yes. Everything is splash proof sealed. However, we do not suggest driving through deep water.

Will driving my Power Cart through deep water damage it?

Yes. If the drive system or electronics are submerged beneath water, fatal damage is likely.

How steep of a hill will my Power Cart climb?

It depends on the weight carried, traction and how soft the terrain is.

Double wheel units: 500 pounds up a 3:1 grade

Four wheel units: 500 pounds up a 3:1 grade

What is the effect of soft terrain such as soft soil, turf or loose sand?

Driving any machine on soft terrain has the effect of reducing its weight carrying capacity. In addition, battery consumption will increase significantly, reducing operational range to as much as 1/2 the normal range.

Is it possible to overload my Power Cart?

Yes. If the power required to move the load exceeds the machine's capability, the unit will slow down and eventually come to a stop. This is due to a thermal overload with in the controller. It is design to "trip" before damage to the electric motors occurs. If the happens, simply remove some of the load, wait a few minutes until the unit cools down, and then cycle the power switch to reset the overload.

Can I operate my Power Cart indoors?

Yes. Since the Power Carts are completely electric, they emit no fumes and virtually no noise.

Can I operate my Power Cart on uneven ground?

Yes, however two and four wheeled units will follow the contour of the terrain, which can make loads tilt from side to side.

My Power Cart is powered on, but will not operate. What's wrong?

Check the transaxle brake. Engage the transaxle brake via the lever, and toggle the power button off and back on. This will reset the brake system.

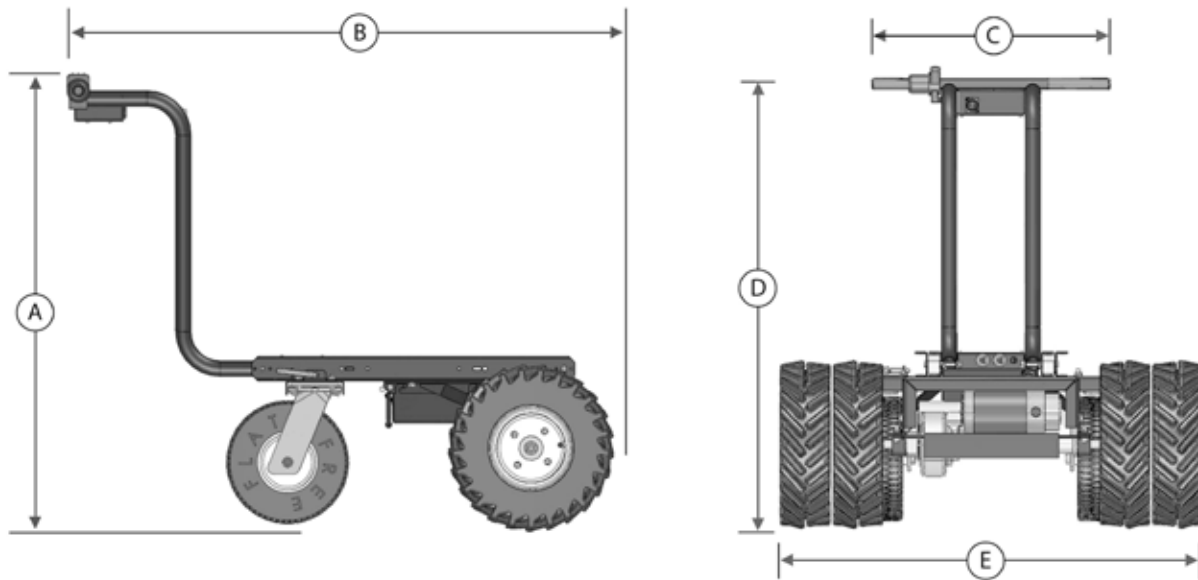
The unit will not operate until this has been done.

This process will need to be repeated every time the brake is manually disengaged.

DIMENSIONS

LETTER	DESCRIPTION	DIMENSION
A	MAX HEIGHT	40"
B ¹	MAX LENGTH - 27" CHASSIS	44"
B ²	MAX LENGTH - 44" CHASSIS	62"
C	HANDLE WIDTH	18"
D	HANDLE HEIGHT	38"
E ¹	FRONT WHEEL BASE, DIRT HOG TIRE	24"
E ²	FRONT WHEEL BASE, DUAL AG TIRE	33"
	27" CRATED DIMENSION, DUAL AG/DIRT HOG TIRE (L x W x H)	64" x 41" x 45"
	44" CRATED DIMENSION, DUAL AG/DIRT HOG TIRE (L x W x H)	82" x 41" x 45"
DESCRIPTION		WEIGHT*
	CART BODY WITH DIRT HOG TIRE	100 lbs
	CART BODY WITH DUAL AG TIRE	120 lbs
	CRATED WEIGHT, DIRT HOG TIRE 27"	135 lbs
	CRATED WEIGHT, DIRT HOG TIRE 44"	150 lbs
	CRATED WEIGHT, DUAL AG TIRE 27"	155 lbs
	CRATED WEIGHT, DUAL AG TIRE 44"	170 lbs

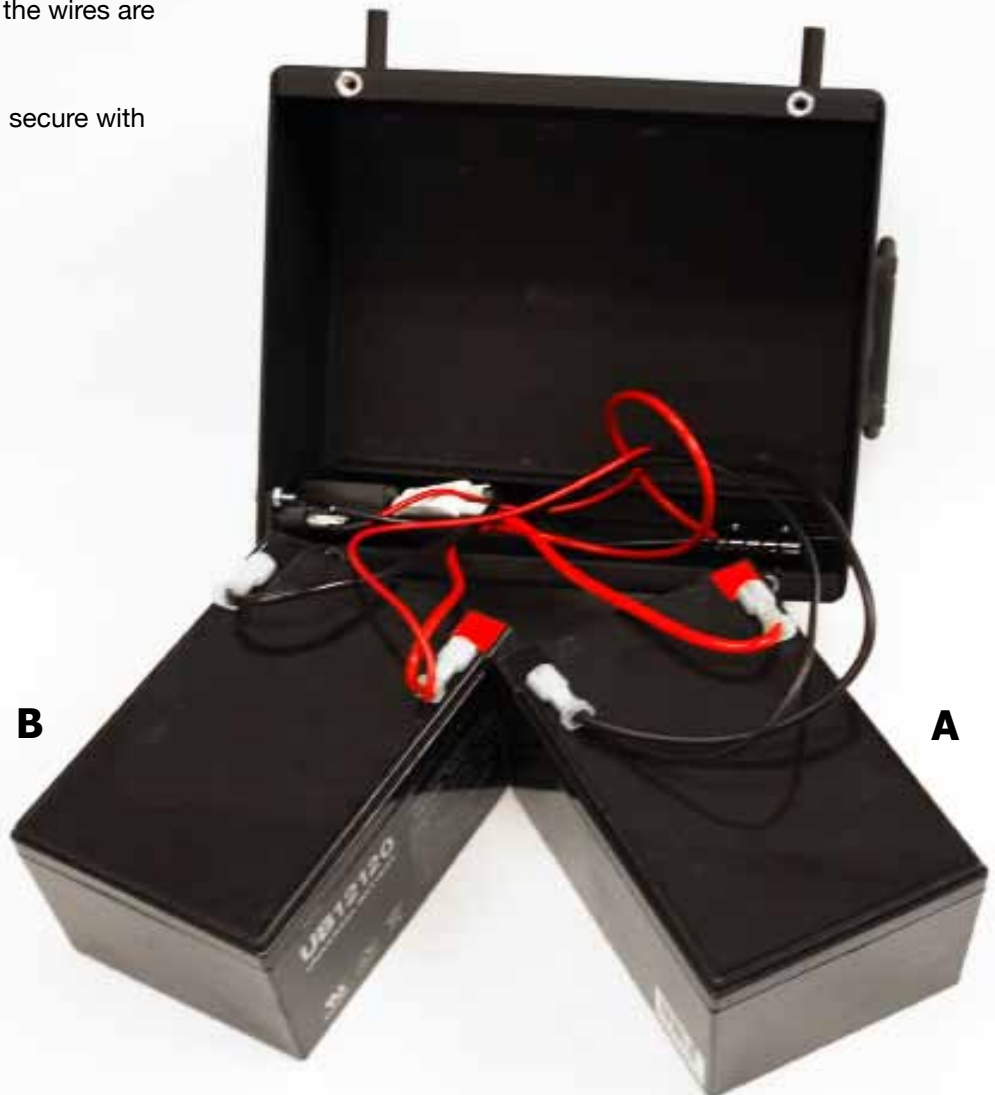
* Weight values will vary based on selected bed options.



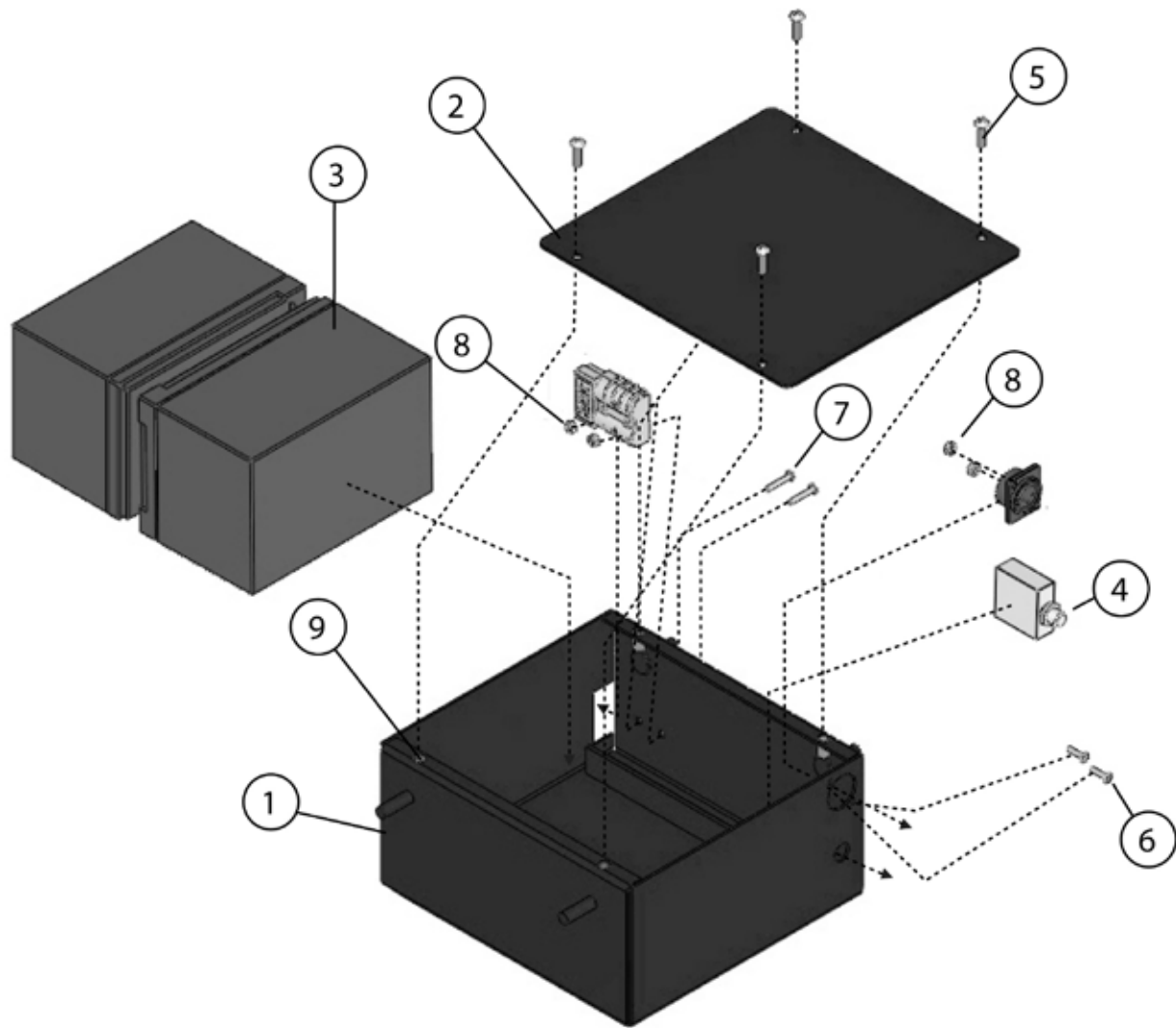
BATTERY REPLACEMENT

Replacement Battery Specs: 12v, 12 amp/hr lead acid sealed, AGM type. Universal Battery model no UB12120 or equivalent. Two (2) Batteries required.

1. Remove the batter pack from the cart.
2. Remove the four (4) #10 screws holding the lid in place.
3. Carefully remove the batteries, and disconnect the spade terminals. RECYCLE YOUR OLD BATTERIES.
4. Reconnect the battery and circuit breaker wires to the new batteries as shown. It is helpful to make the connections with the batteries outside the box first. The batteries are wired in SERIES, not PARALLEL.
5. Place Battery A into the box first, then Battery B making sure the wires are nested inbetween. The fit is designed to be tight.
6. Replace the box lid and secure with four (4) #10 screws.



BATTERY PACK ASSEMBLY

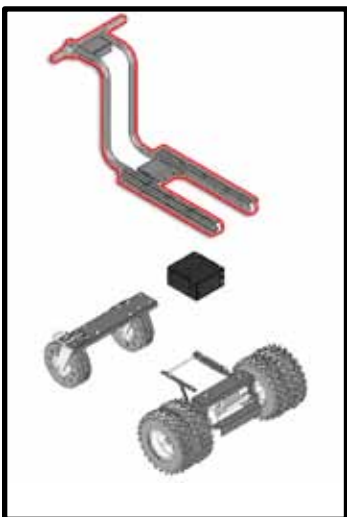
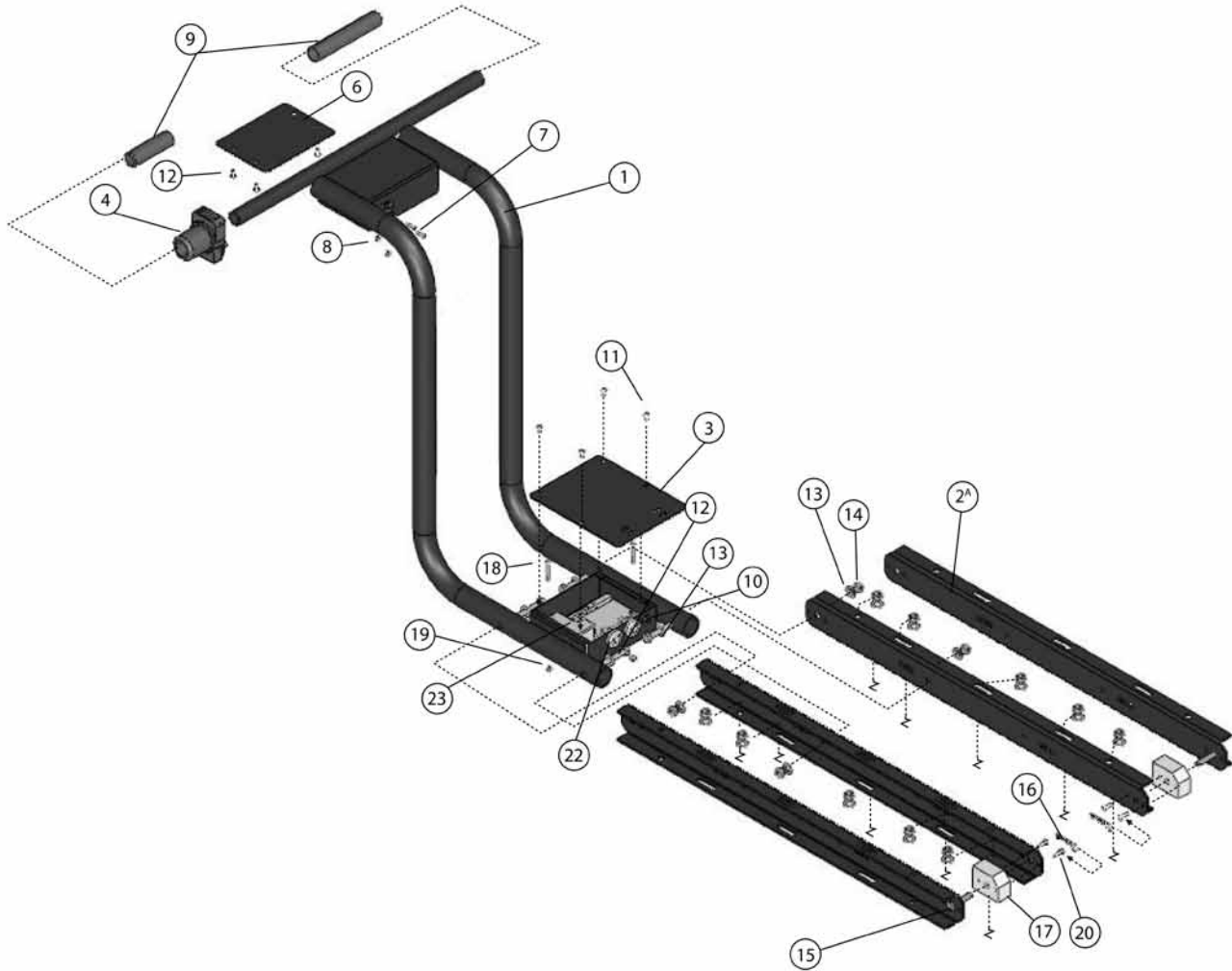


BATTERY PACK ASSEMBLY

No	Part No	Description	Qty
1	MI-12-4068	BATTERY BOX TOP/BOTTOM WELDMENT	1
2	MI-07-0287	BATTERY BOX COVER	1
3	PI-11-0159	SM-BATTERY 12V 12 A.H.	2
4	PI-08-0045	FUSE - THERMAL CIRCUIT BREAKER 30A TYCO W58-XC4C12A-30	1
5	PI-01-0331	SCREW - #10 23 X 5/8" MACHINE SCREW COMBO ROUND HEAD	4
6	PI-01-0482	SCREW #6 32 X 1/2" PHILIPS PAN HEAD	2
7	PI-01-0397	SCREW #6 32 X 3/4" PHILIPS PAN HEAD	2
8	PI-01-0398	NUT HEX #6 - 32	4
9	PI-01-0203	NUT INSERT #10 - 32	4
10	PI-08-0042 ¹	WIRE ASSEMBLY - RED 10 AWG W/ .250 X RING	1
11	PI-08-0044 ¹	WIRE ASSEMBLY - BLACK 10 AWG W/ .250 X RING	1
12	PI-08-0056	WIRE ASSEMBLY - 4 WIRE - 34" LONG	1

¹ Not Shown

HANDLE & CHASSIS ASSEMBLY

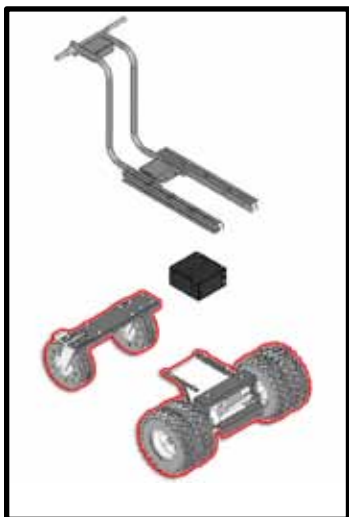
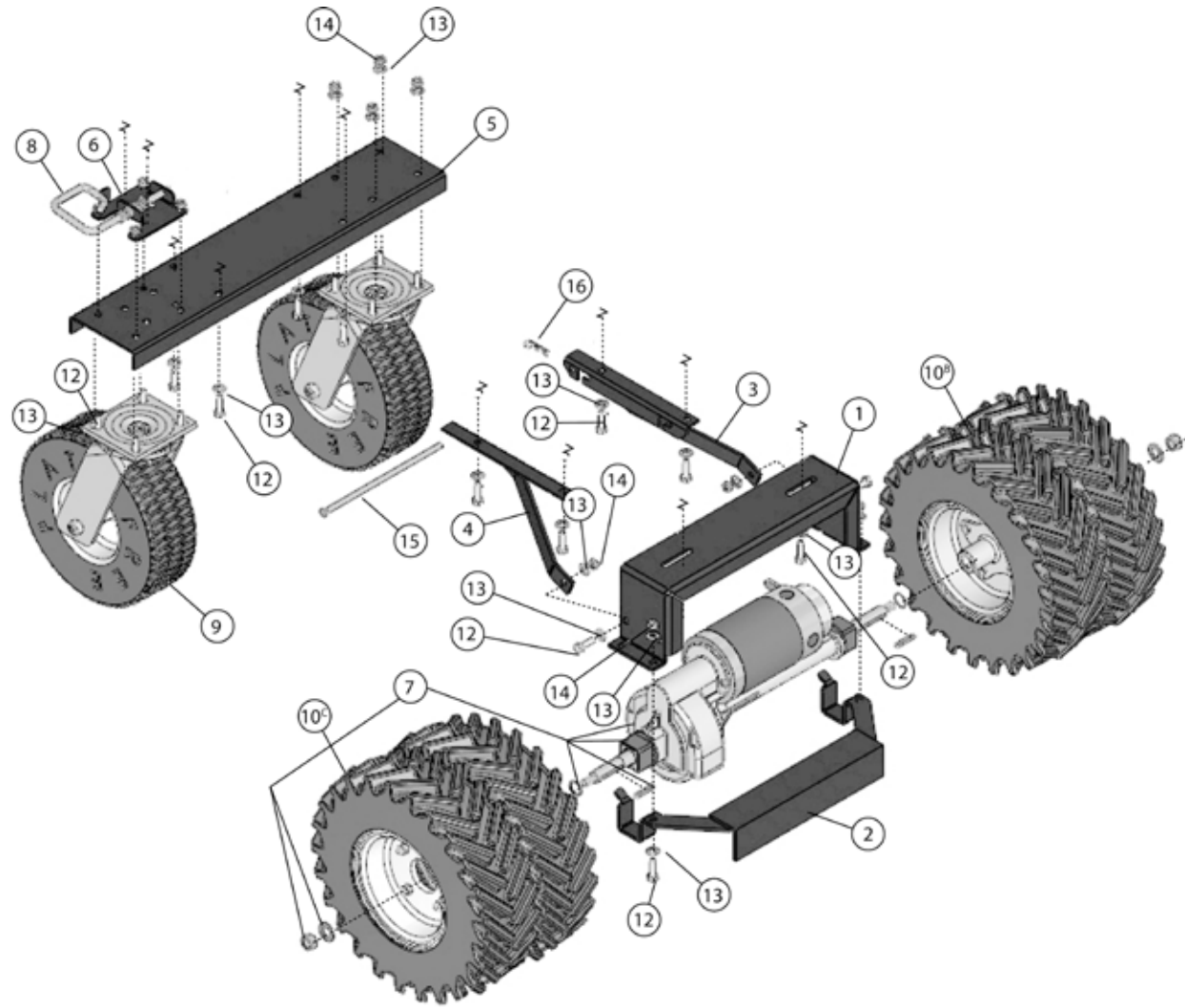


HANDLE & CHASSIS ASSEMBLY

No	Part No	Description	Qty
1	MI-12-4079	CART HANDLE C TWIST	1
2 ^A	MI-08-0836	FORMED CHANNEL 2" X 1" X 11 GA X 26 - 1/2" (27" MODEL)	4
2 ^B	MI-08-0864	FORMED CHANNEL 2" X 1" X 11 GA X 43 - 1/4" (44" MODEL)	4
3	MI-07-0290	COVER - DRIVE CONTROLLER BOX	1
4	PI-08-0053	THROTTLE CONTROL TWIST GRIP	1
5	PI-11-0027 ¹	SM - BATTERY CHARGER 24V SEAL LEAD ACID TYPE / AGM TYPE	1
6	MI-07-0238	COVER - CONTROL BOX	1
7	PI-01-0397	SCREW #6 - 32 x 3/4"	2
8	PI-01-0398	NUT - HEX #6 - 32	2
9	PI-04-0168	CAP PLUG HAND GRIP 7/8" - FULL SET	1
10	PI-08-0046	RELIEF - STRAIN RELIEF SR 6W	1
11	PI-01-0393	SCREW #8 X 3/8" COMBO PAN SHEET METAL	8
12	PI-01-0152	BOLT - HEX 5/16" - 18 X 2" PLATED	4
13	PI-01-0206	WASHER - SAE FLAT 5/16" PLATED	18
14	PI-01-0017	NUT - NYLON 5/16" LOCKNUT PLATED	14
15	PI-01-0462	PIN - CLEVIS 5/16" X 1 1/2" SINGLE HOLE	2
16	PI-01-0463	PIN - HAIR .091" DIAMETER X 1 5/8" PLATED	2
17	MI-15-0044	1 1/2" X 2" NATURAL NYLON RECT X 1"	2
18	PI-01-0469	SCREW #8-32 X 1 1/4" MACHINE SCREW COMBO ROUND HEAD	4
19	PI-01-0220	NUT - NYLON 8-32 LOCKNUT	4
20	PI-01-0392	SCREW - #8 X 5/8" COMBO PAN SHEET METAL ZINC	4
21	PI-08-0052 ¹	WIRE ASSEMBLY - 7 WIRE 56" LONG TWIST THROTTLE	1
22	PI-08-0047	RELIEF - STRAIN RELIEF SR7W-2	3
23	PI-11-0149	DRIVE CONTROLLER	1
24 ^A	PI-08-0039 ¹	WIRE ASSEMBLY - 4 WIRE W/ BRAIDED TUBING 14" LONG (27" MODEL)	1
24 ^B	PI-08-0054 ¹	WIRE ASSEMBLY - 4 WIRE W/ BRAIDED TUBING 27" LONG (44" MODEL)	1
25	PI-08-0051 ¹	WIRE ASSEMBLY - 10 WIRE W/ BRAIDED TUBING 12" LONG	1
26 ^A	PI-08-0055 ¹	WIRE ASSEMBLY - 2 WIRE W/ BRAIDED TUBING 12" LONG (27" MODEL)	1
26 ^B	PI-08-0057 ¹	WIRE ASSEMBLY - 2 WIRE W/ BRAIDED TUBING 28" LONG (44" MODEL)	1
27	PI-08-0052 ¹	WIRE ASSEMBLY - 7 WIRE W/ BRAIDED TUBING 56" LONG	1

¹ Not Shown

AXLE ASSEMBLY



AXLE ASSEMBLY

No	Part No	Description	Qty
1	MI-08-0844	FORMED POWER CART MOTOR MOUNT	1
2	MI-12-3568	TRANSAXLE ASSEMBLY MOUNTING BRACKET	1
3	MI-12-4066	MOTOR BRACE LEFT	1
4	MI-12-4065	MOTOR BRACE RIGHT	1
5	MI-08-0837	FORMED-CHANNEL 4-3/4" x 1-1/8" x 11 GA x 23"	1
6	MI-12-4046	LATCH BRACKET	1
7	PI-08-0048	TRANSAXLE ASSEMBLY 24 V	1
8	18080	G-PIN LOCK KIT	1
9	PI-06-0055	CASTER-SPC-10 FLAT FREE	2
10 ^A	PI-06-0097 ²	CASTER-WHEEL-13x5.00-6 (13") DIRT HOG 2 PLY DIRT HOG TIRES	2
10 ^B	PI-06-0095	CASTER-WHEEL-13x5.00-6 (13") SUPER LUG DUAL LEFT DUAL AG TIRES	1
10 ^C	PI-06-0096	CASTER-WHEEL-13x5.00-6 (13") SUPER LUG DUAL RIGHT DUAL AG TIRES	1
11	MI-09-0412 ¹	RUBBER WEATHER GUARD	1
12	PI-01-0177	BOLT-HEX 5/16"-18 x 1" PLATED	22
13	PI-01-0206	WASHER-SAE FLAT 5/16" PLATED	30
14	PI-01-0017	NUT-NYLON 5/16" LOCKNUT PLATED	12
15	PI-01-0484	CLEVIS PIN 5/16" X 8 9/16"	1
16	PI-01-0463	HAIR PIN .091" DIA x 1 5/8" LONG	1

¹ Not Shown

² Optional Equipment

OPTIONAL ADD ONS



10 Cu Ft Dump Hopper (70107)



8 Cu Ft Dump Hopper (70130)



9 Cu Ft Hopper (70116)



Trailer Dolly Attachment (70109)
2" Ball




Dirt Hog Tire
13", 2 Ply



Dual Ag Tire
13", 2 Ply

DECALS

CHARGE PORT	
⚠ WARNING	NOTICE
<p>Maximum Capacity: Ground level 750 lbs (294 kg), 3:1 Grade 500 lbs (226 kg). Never operate unit on a slope greater than 3:1, or with more than 750 lbs (294 kg).</p> <p>Take proper measure to insure good traction, especially on hills.</p> <p>For material only, not for personnel.</p> <p>When operating unit in reverse, DO NOT WALK BACKWARDS. Walk beside the unit, using your right hand to control the throttle.</p>	<p>Charge after every use.</p> <p>When brake is released, power switch must be off to push the unit by hand. Unit will sleep after 20 minutes of inactivity. Cycle power switch to OFF for one second, then back to ON to awaken the unit.</p> <p>Problems or questions? Call Granite Industries 877.447.2648</p>
FORWARD/REVERSE	E-STOP ON/OFF
PI-15-0112	



THIS
END
UP

PI-15-0080

CHARGING PORT
RESET BUTTON

POWER
- X -
CHANGE

DC REMOVABLE BATTERY PACK
24V, 12 AMP

-- CHARGE WITH THIS SIDE UP --

POWER PORT



⚠ WARNING

FOR MATERIAL ONLY
NOT FOR PERSONNEL

PI-15-0053