

IMPORTANT: Replacement screen door fit range

Opening Width Fit Range:

3" Frame: (Aspen, Durango and Sheridan)

30" x 80" screen doors fit most openings with minimum inside door frame width of 29-1/4" up to 30"

32" x 80" screen doors fit most openings with minimum inside door frame width of 31-1/4" up to 32"

36" x 80" screen doors fit most openings with minimum inside door frame width of 35-1/4" up to 36"

Opening Height Fit Range:

79-3/8" up to 80-1/8"

2" Frame: (Piedmont)

32" x 80" screen doors fit most openings with minimum inside door frame width of 31-1/2" up to 32"

36" x 80" screen doors fit most openings with minimum inside door frame width of 35-1/2" up to 36"

Opening Height Fit Range:

79-5/8" up to 80-1/8"

Tools & Hardware Required:

Tools required: Power circular saw, power drill & drill bits, slotted-head screwdriver, Phillips-head screwdriver, hammer, safety glasses, tape measure, level, pencil or marker

Optional tools: Sandpaper, chisel, wood shims, saw horse, wood stain and/or sealer

Hardware provided:

Handleset and hardware sold separately

Minimum hardware required for installation:

3" hinges (minimum of 2, 3 is optimal)

Pull handle for exterior

Interior latching system

Wind spring

OPTIONAL: Hardware latch handle kit

OPTIONAL: Pneumatic closer kit

NOTICE Not intended to limit or prevent passage of children, pets, etc., or to deter vandalism or burglary.

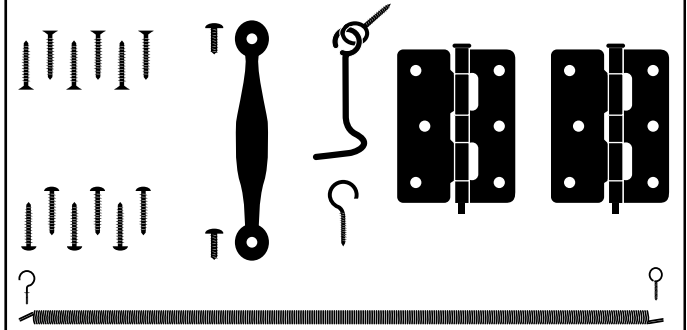
Important: Read all instructions completely before beginning installation.

1 Hardware (sold separately)

The hardware required to hang this door is not included. You will need a minimum of two hinge sets (three is recommended), handle for exterior, interior latching system, wind spring and fasteners.

If you are replacing an existing wood screen door, you may be able to use existing hardware, particularly, the hinges.

If you purchase new hardware, it is easier to locate the new hinges slightly offset of existing holes in door frame.



Example only - hardware NOT included

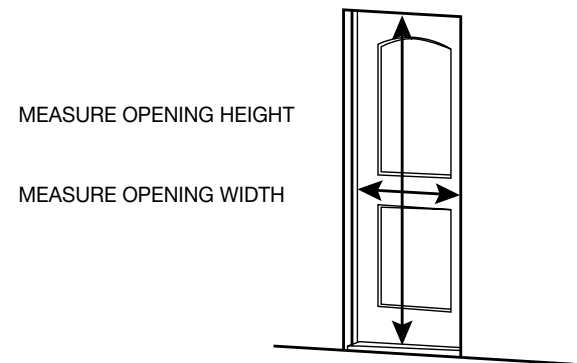
2 Measure, swing and fit

Measure the height and width of your existing door opening from inside the frame.

Measure your new wood screen door and determine that you have bought the correct size door before beginning. See fit range above.

Allow for at least 3/16" gap on each side and at top, and 1/4" at the bottom to ensure proper fit.

Note: No hardware is provided with this door. Be sure to gather all required components before beginning. A minimum hardware requirements list is specified above.



3 Trim door to fit (if necessary)

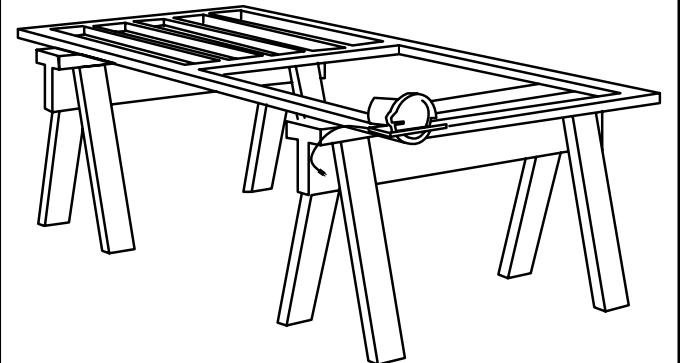
You may need to trim the door to fit. If so, determine the desired amount to trim.

Note:

- For the **Piedmont** model (with 2" wide frame), **DO NOT** trim any one side, top or bottom more than 1/4"

- For **Aspen, Durango** and **Sheridan** models (with 3" wide frame), **DO NOT** trim any one side, top or bottom more than 3/8"

Using a circular saw with fine wood blade, trim sides, top and/or bottom as needed, but do not exceed the maximum trim specifications noted above.

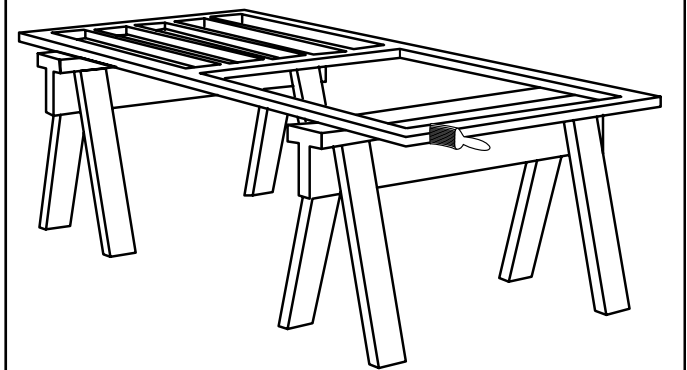


4 Seal your wood screen door

Before you install the door, it is important that it be sealed. This improves the durability of the door against the elements. If you chose not to paint, a clear sealer should be applied.

For the **Piedmont** model, mask off the screen prior to sealing. For **Aspen, Durango & Sheridan** models, the screen should be removed prior to sealing, and replaced after sealing is complete and dry.

Note: Properly sealing all edges, bottom and top is very important to the utility and life expectancy of a wood door.

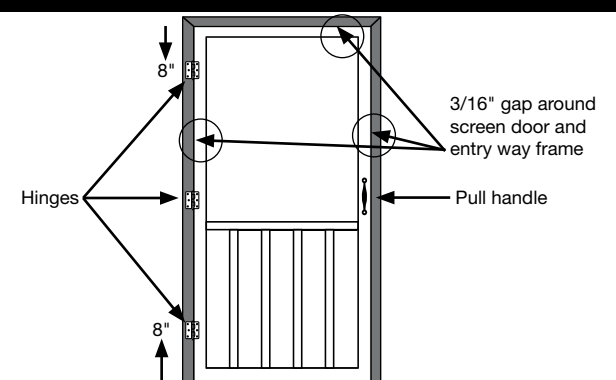


5 Mount wood screen door and attach hardware

Note: If you are replacing an existing screen door, it is recommended that hinges be off set slightly from original mounting location to ensure proper anchorage.

Install hinges on door frame approximately 8" from top and bottom of door (If installing a third middle hinge, install in the center of top and bottom hinges, spaced evenly apart). Place new door into position, using 2-1/2" shims on bottom of door. Check that gap (3/16") around the door is even.

Attach hinges to the door. Check ease of opening. Install pull handle, interior latching, and spring or the hardware of your preference. Be sure to install handle and interior latch system so it does not interfere with main entryway door hardware.



Warranty Information

Your Unique Home Designs screen door is warranted against manufacturer defects for one year from the purchase date. If the door breaks or structural defects occur, Unique Home Designs will, at our discretion, repair or replace the door. Replacement items may vary in style due to changes in suppliers and product. This limited warranty will not apply if the part has been misused, abused or altered. Cutting parts not specified by the installation guide or parts drilled incorrectly are not included in this warranty. Screen material is excluded from warranty coverage. Warranty is not transferable.

To make a claim under this Warranty, send a brief written description of the problem, a picture of the claim, proof of purchase, and your contact information to: Unique Home Designs, 973 N. Colorado Street, Gilbert AZ. 85233 Attn: Warranty Claims

VIEW INSTALLATION VIDEOS
AND LATEST INFORMATION AT
helpmeininstall.com