

WARNING: Do not dispose of Li-Ion battery in the regular trash, municipal waste stream or by fire as batteries may leak or explode. Do not open, short circuit, or mutilate batteries as injury may occur. Preserve our environment by recycling Li-Ion batteries or disposing of them in accordance with local, State and federal regulations. Do not mix old and new batteries.

Maintenance

Clean the solar panels regularly with a damp towel to guarantee optimum performance. Do not use any type of solvent for cleaning and be careful not to put too much pressure on the solar panels while cleaning.

Trouble Shooting

If your solar charged light does not come on at dusk despite observance of all the instructions, please try the following steps:

1. Make sure that the solar lamp is not being affected by any other light source.
2. Ensure the solar lamp is not positioned in the shade during the day.
3. Make sure the switch on the lamp head is in either the Low or High position.
4. Check that the batteries are installed correctly.

NOTE: The performance of the solar lamp will vary with the time of year. It will deliver more light when it has had a full day in the sun rather than a day in overcast weather.

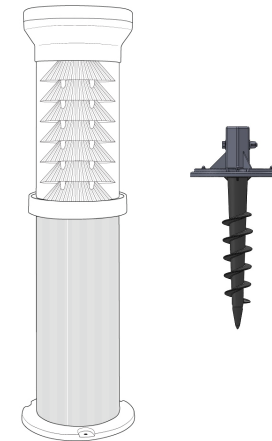
WINTERTIME TIPS: For optimal performance, be sure to remove any snow or debris accumulation from solar panel(s). A solar panel free of debris will charge the batteries much more efficiently.

WARNING: Please keep out of reach of children.



BOLLARD SOLAR LAMP with EZ Anchor

Instruction Manual Model: GS-127EZ



| A. Adaptor | B. Auger | C. Turning Bar |
|---|--|--|
| A diagram showing a cylindrical adaptor with a central hole and a flange at the bottom. | A diagram showing an auger being inserted into a hole. Labels include "Ground Stop Ring" pointing to a ring on the auger and "Level Tool" pointing to a tool used to level the ground. | A diagram showing a long, thin metal bar with a hook at one end. |

Introduction

Thank you for your purchase. **GAMA SONIC®** solar charged accent lighting eliminates the problems associated with most solar lighting available today. **GAMA SONIC®** solar charged lights are brighter and last all night with a typical solar charge. Unique design, superior light output and numerous installation options confirm the outstanding value of our product.

GAMA SONIC® has been recognized as a worldwide leader in the lighting industry for over 20 years. The company also offers unique multi-purpose rechargeable products that range from party lights to emergency lighting products.

For technical assistance and more information call our Toll Free number: 800-835-4113 (only within the US).

Visit our website or download the latest version of your instruction manual:

www.gamasonic.com or www.gamasonic.com/user-guides

Please read the instruction manual carefully to obtain the best results from your purchase.

Solar Light Location

For optimum light duration throughout the night, it is very important to place your solar light in a spot where it will receive the maximum amount of direct sunlight throughout the day.

NOTE: The solar light must be charged for two sunny days for best results on the "ON" position.

Operation and assembly Instructions

1. Connect the LED strip part to the solar cap and turn it clockwise following the arrows to a Close position (Fig. 1).
2. Place the solar cap on top of the pole (Fig. 2) and tighten with the 2 screws provided.
Solar light will automatically operate dusk to dawn.
3. Pole can be installed on a flat surface using the screws provided, or grounded using the EZ-Anchor (Fig. 3)

Fig. 1

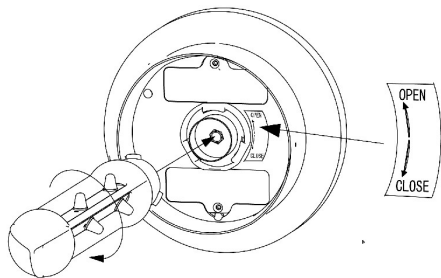


Fig. 2

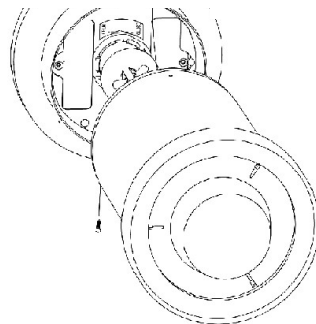
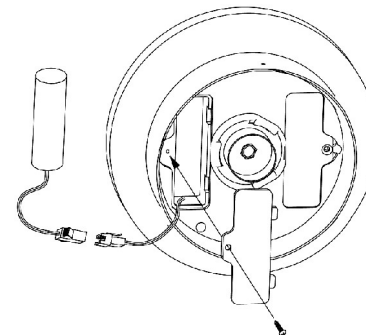


Fig. 4



EZ Anchor installation

1. **VERY IMPORTANT:**
Install first the 3 stainless steel screws and nuts to the Adaptor (A)
2. Place the Turning bar (C) in the hole through the Auger bit, Fig. 3
3. Install Auger in desired location and apply downward pressure while turning the Turning bar clock wise.
4. Occasionally check the Level Tool on the Auger to ensure the auger is straight, see part A.
5. Stop turning once the ground stop ring has reached ground level, see part B.
6. Remove the Turning Bar and place the Adaptor (A) on to the Auger bit. Secure it with the supplied nut and bolt.
7. Place the bollard light on top of the adaptor and secure it with the 3 nuts.

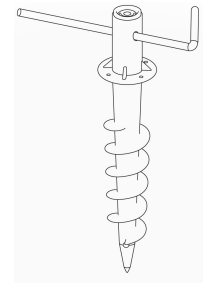


Fig. 3

Replacing the Batteries

(After several years of use, the battery may need replacing).

1. Remove the solar panel cap from the pole.
2. Unscrew the battery compartment (Fig. 4)
3. Unclip the connector and remove the old battery. Make sure the new battery is high quality 3.2V/1,500mAh () Li-ion Rechargeable battery with connector.
4. Clip on new battery and install into the battery compartment. Screw back battery compartment screw.
5. Reattach the solar panel cap to the pole.

Optional:

Use the second battery compartment to add extra battery pack (not included).