

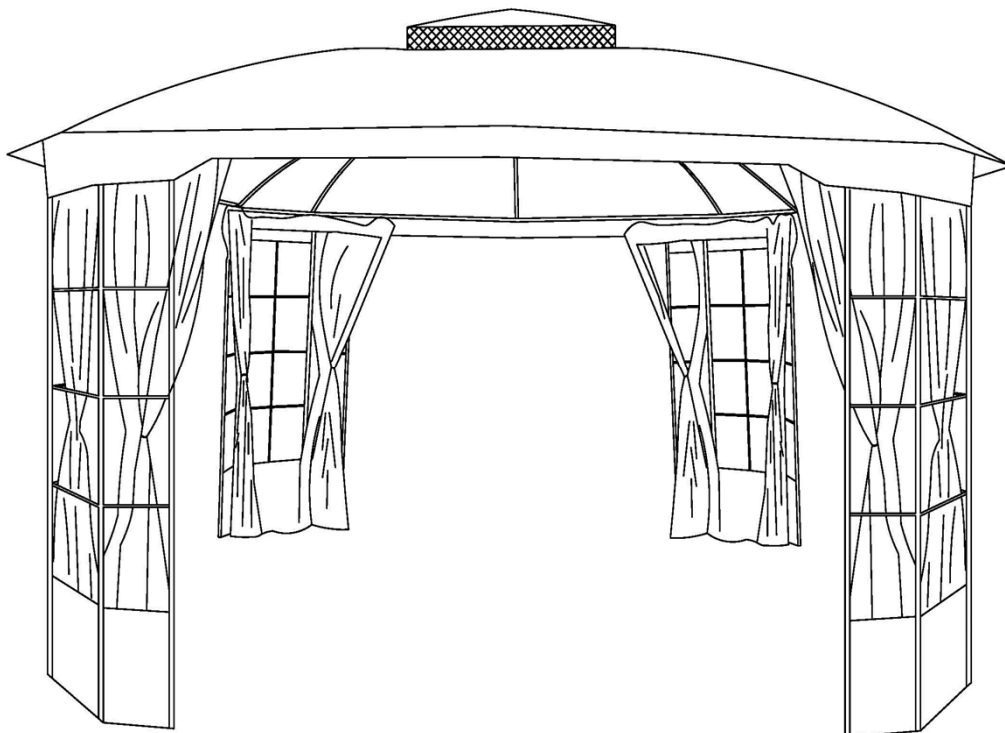
# Assembly Instructions

**Caution : You must read this before you proceed.**

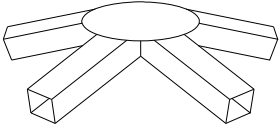
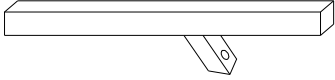
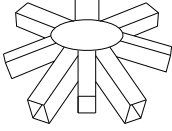
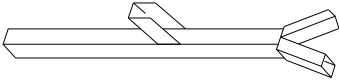


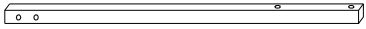
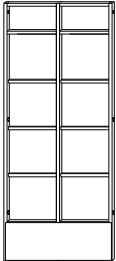
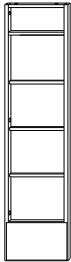
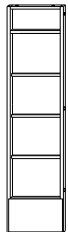
Read all instructions before assembling and using this product

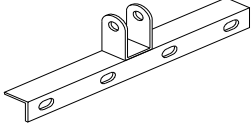
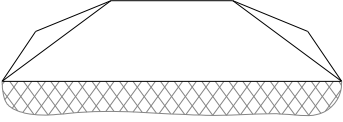
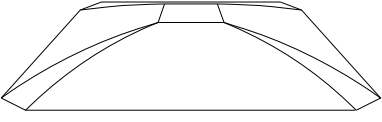
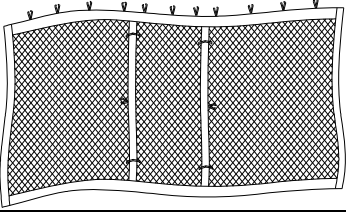
1. Select ideal location. Set out all parts on a clear and level surface prior to assembly. Ideally, the Gazebo should be set up in the desired location to avoid moving it after assembly.
2. Team Work. We recommend 4-5 adults and it may require 3 to 4 hours to fully assemble the Gazebo. If possible, please use safety ladders.
3. Use caution. During the entire assembly process, especially when lifting heavy or large parts or using ladders, pay attention to safety. No one other than those assistants should be allowed in the work area.
4. Check all available parts. Before assembling your Gazebo Frame, make sure that you have all the parts described in the Parts List.
5. Ensure that ALL BOLTS are fully and securely bolted in before you proceed to attach the Canopies.
6. Keep children away. Children shouldn't be allowed in the work area. Do not let them handle parts and tools. Do not allow children to climb the Gazebo.
7. It is recommended that the Canopy, Sidewalls and Mosquito Netting be removed during strong windy and stormy conditions.

## Gazebo


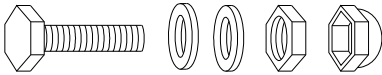
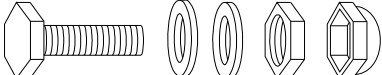
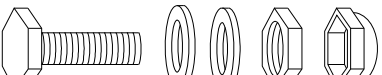
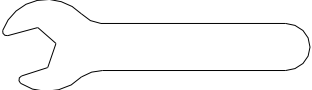


# Parts List

Label	Picture	Description	QTY
A		<b>SMALL Crown Center Connector</b>	<b>1</b>
B		<b>Small Top Bar</b>	<b>4</b>
C		<b>LARGE Crown Center Connector</b>	<b>1</b>
D		<b>Short Bar</b>	<b>4</b>
E		<b>Long Top Tube</b>	<b>8</b>
F		<b>Short Top Tube</b>	<b>4</b>
G		<b>Cross Beam</b>	<b>8</b>
H		<b>Wide Panel</b>	<b>4</b>
I		<b>Right Narrow Panel</b>	<b>4</b>
J		<b>Left Narrow Panel</b>	<b>4</b>

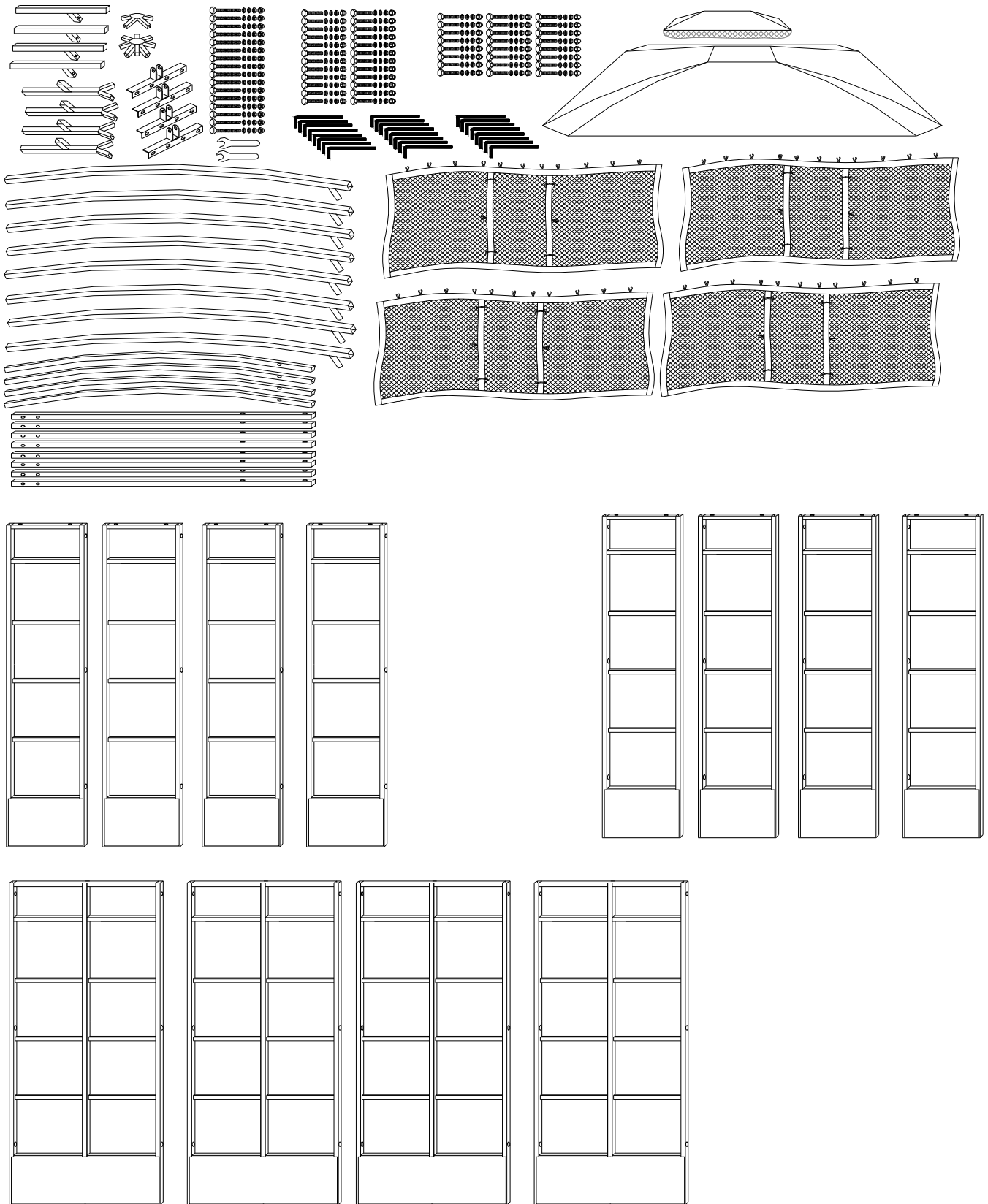
K		Cross Beam Connector	4
P		Canopy Vent	1
Q		Canopy	1
R		Mosquito Netting	4

## Hardware

Label	Picture	Description	QTY
L		Stake	24
M		Bolt (M6*45mm)\ Flat Washer \ Nut \ Plastic Nut Cap	18
N		Bolt (M6*35mm)\ Flat Washer \ Nut \ Plastic Nut Cap	26
O		Bolt(M6*30mm) \ Flat Washer \ Nut \ Plastic Nut Cap	26
S		Wrench	4

# Assembly Preparation

Before Beginning Assembly:





- Have 4-5 adults on hand for assembly-



- Do not assemble on flooring or carpet-



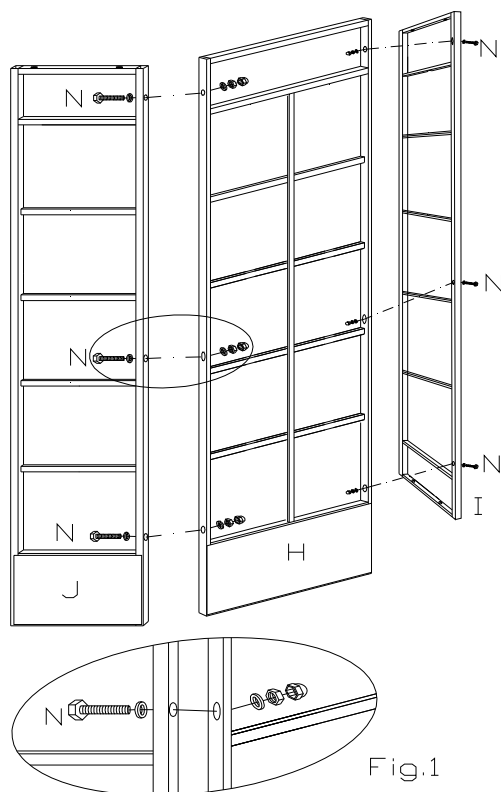
- Assemble on a clean non-marring surface (packing foam)-



- Save all packaging until finished-

## Assembly Steps

### Step 1



Attach the Wide Panel(H) to 02 pcs of Narrow Panels(I, J) using Hardware(N) with Wrenches(S). (See Fig.1).

This forms a TRI-PANELLED Supportive Pillar.

**DO NOT OVERTIGHTEN.**

## Step 2

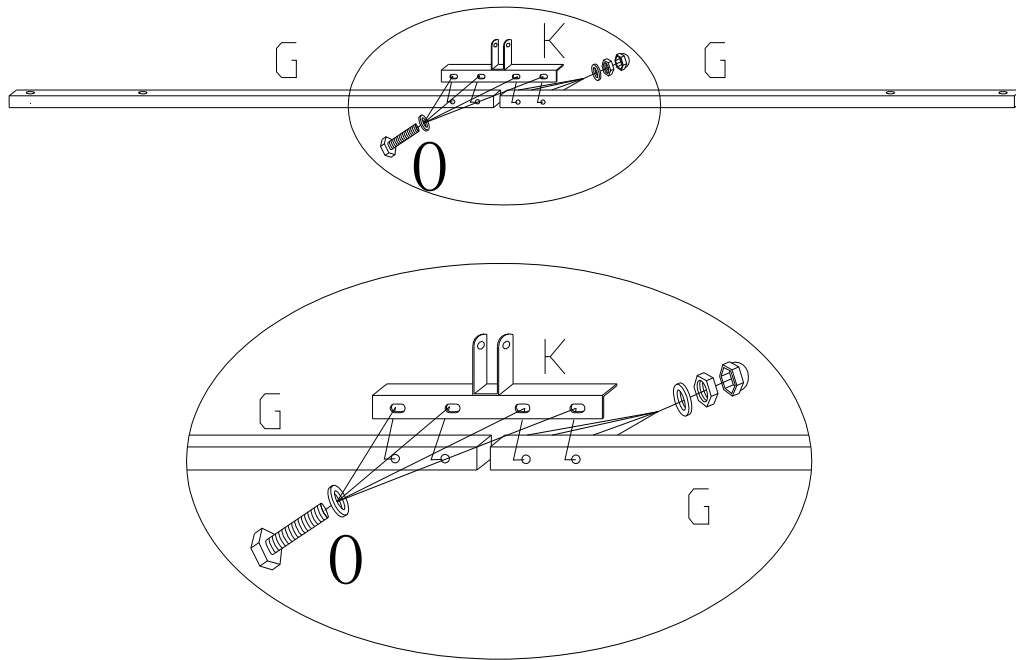


Fig.2

Attach two Cross Beams(G) to Cross Beam Connector(K) using Hardware(O) with Wrenches(S). (See Fig.2)

**DO NOT OVERTIGHTEN.**

## Step 3

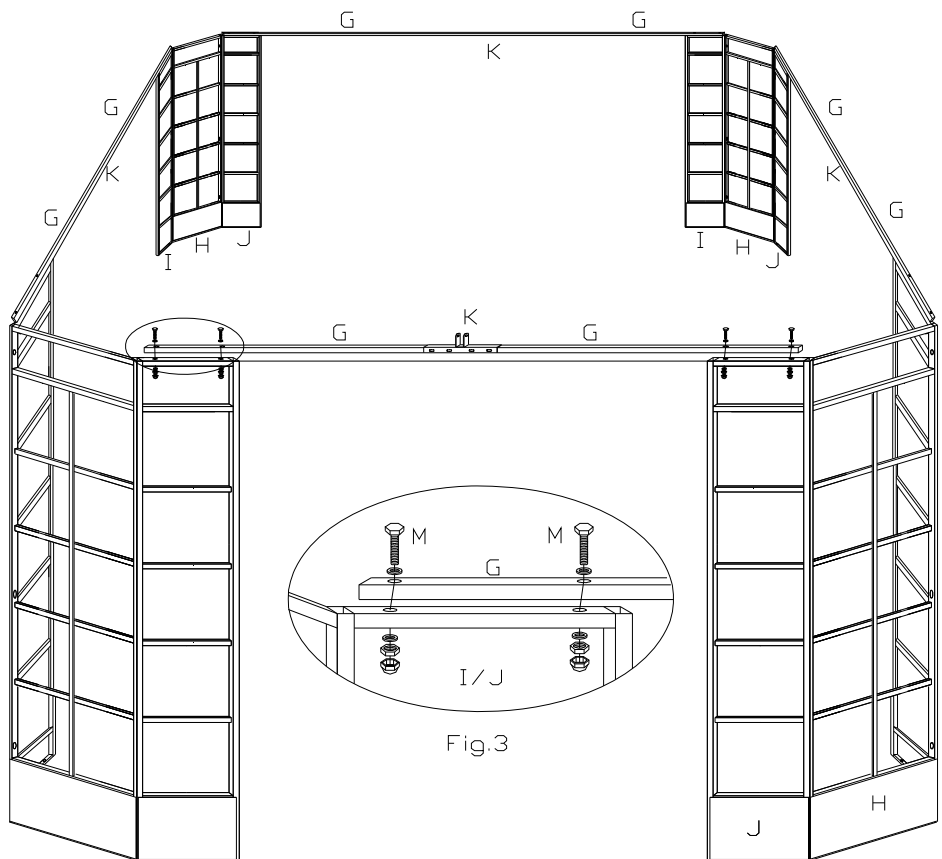
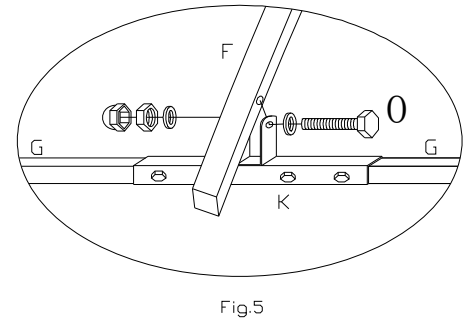
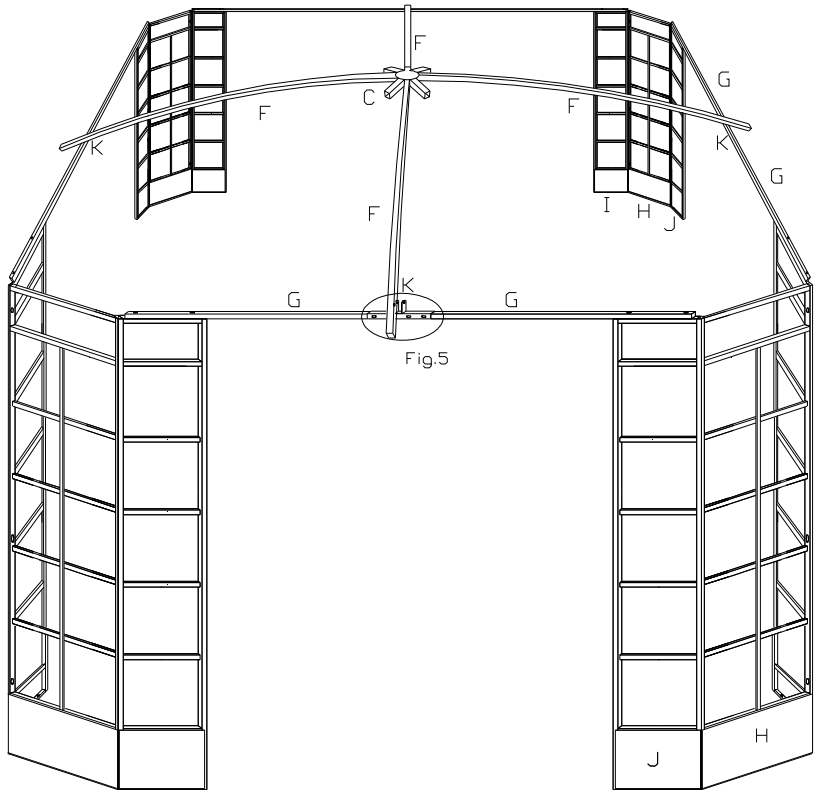
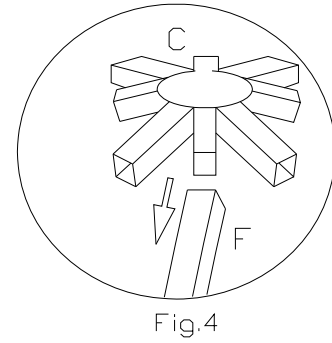
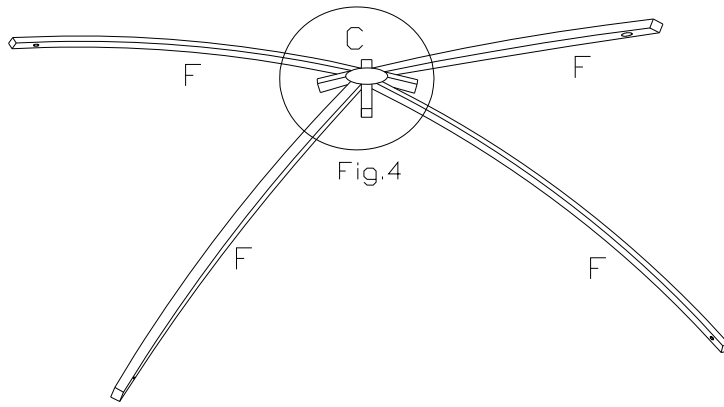


Fig.3

Attach the assembled Cross Beam(G) to the now assembled Supportive Pillars ( Narrow panels : I ), using Hardware(M) with Wrenches(S). (See Fig.3)

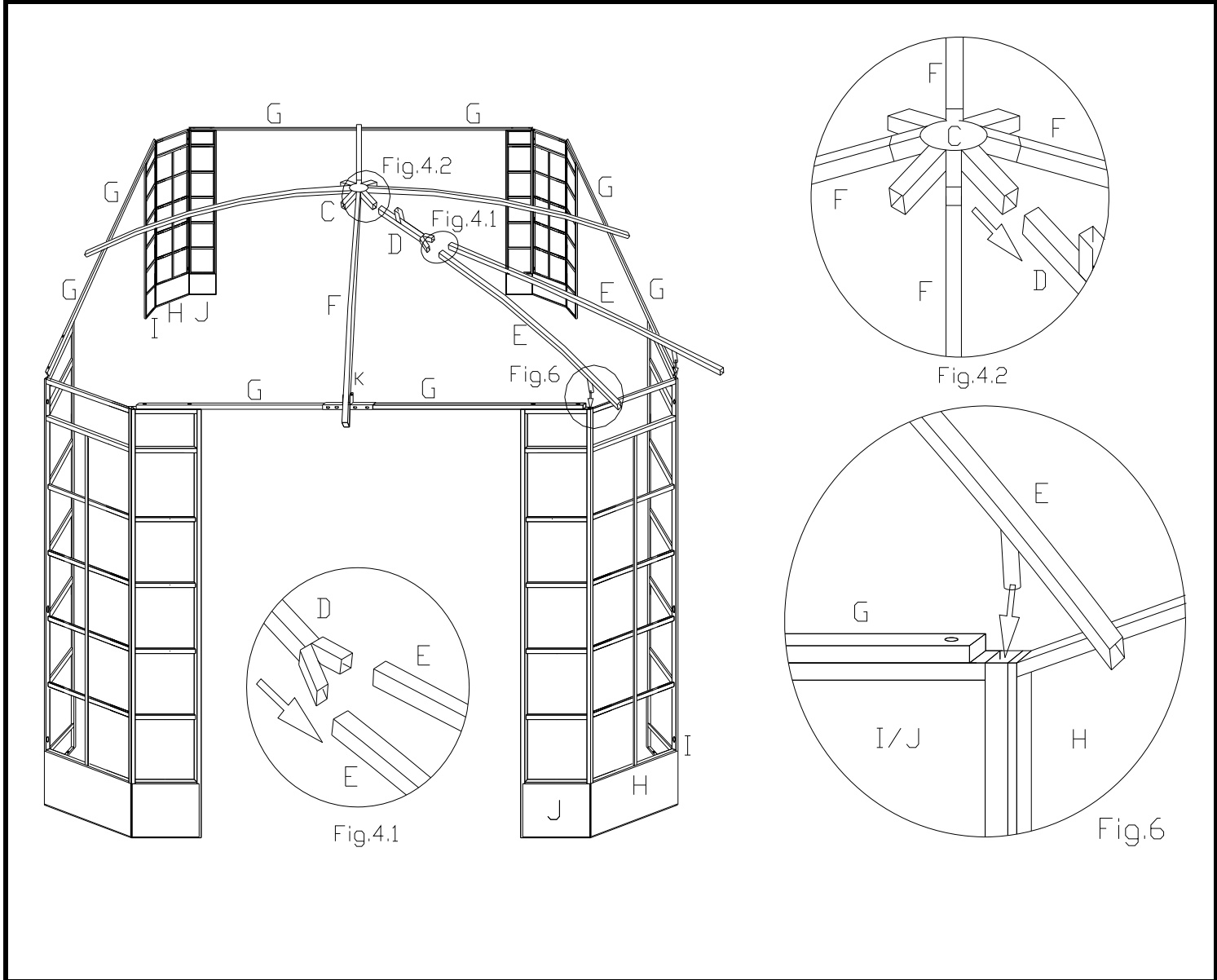
**DO NOT OVERTIGHTEN.**

## Step 4



Attach each Short Top Tube(F) to LARGE Crown Center Connector(C) using the preattached snap button. (See Fig.4). This now partially forms, the Roofing. Have 4 adults lift the assembled Roofing (F) onto the assembled gazebo frame. Then attach the other end of the Short Top Tube(F) to Cross Beam Connector(K) using Hardware(O) with Wreches(S). (See Fig. 5)

**DO NOT OVERTIGHTEN.**

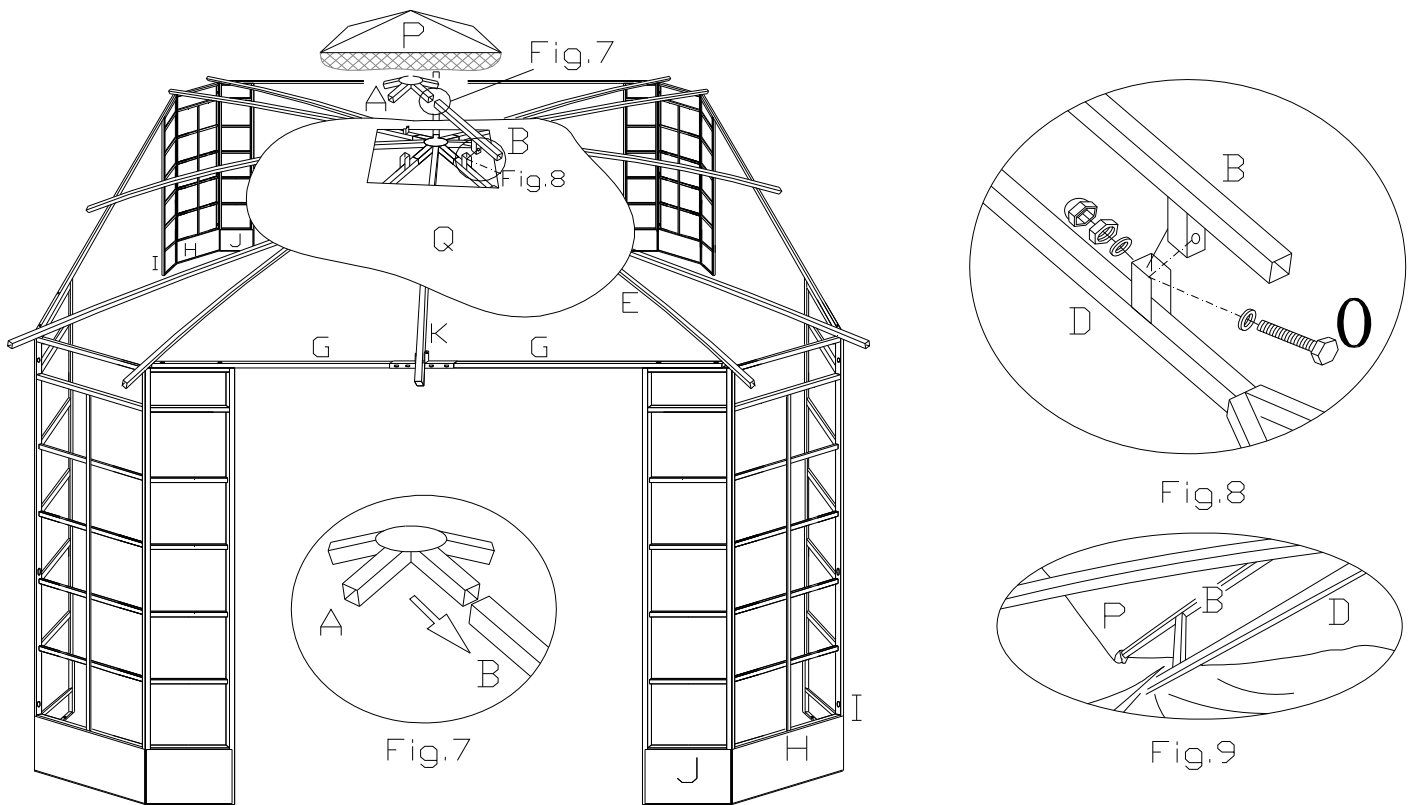


Attach each Long Top Tube(E) to Short Bar(D) (See Fig. 4.1).  
 Then attach the Short Bar(D) to LARGE Crown Center Connector(C) (See Fig. 4.2).  
 The other end of the Long Top Tube(E) gets inserted into the housing on the outer Supportive Pillars ( Narrow Panels : I, J). (See Fig. 6)  
 Repeat this step to attach up Short Bar(D) & Long Top Tube(E) to remainder 3 sides.

**NOW PROCEED TO FULLY AND SECURELY TIGHTEN UP ALL BOLTS** at every Pillar and Master Beam and Crown and Corner Connector.  
**Add Plastic Nut Caps** on all nut ends to protect skin and or clothing from getting snagged.



## Step 5



On the ground, curl and roll the Canopy and hoist onto the top of the gazebo frame. Place the Canopy(Q) onto the frame of the Gazebo.

At this stage, **DO NOT UNFOLD** and drape the Canopy.

**DO NOT** secure Canopy at this stage.

Attach the Small Top Bar(B) to SMALL Crown Center Connector(A) using the preattached snap button.(See Fig.7)

Attach the short "T" shape tube of the Small Top Bar(B) to Short Bar(D) using Hardware(O) with Wrenches(S). (See Fig. 8).

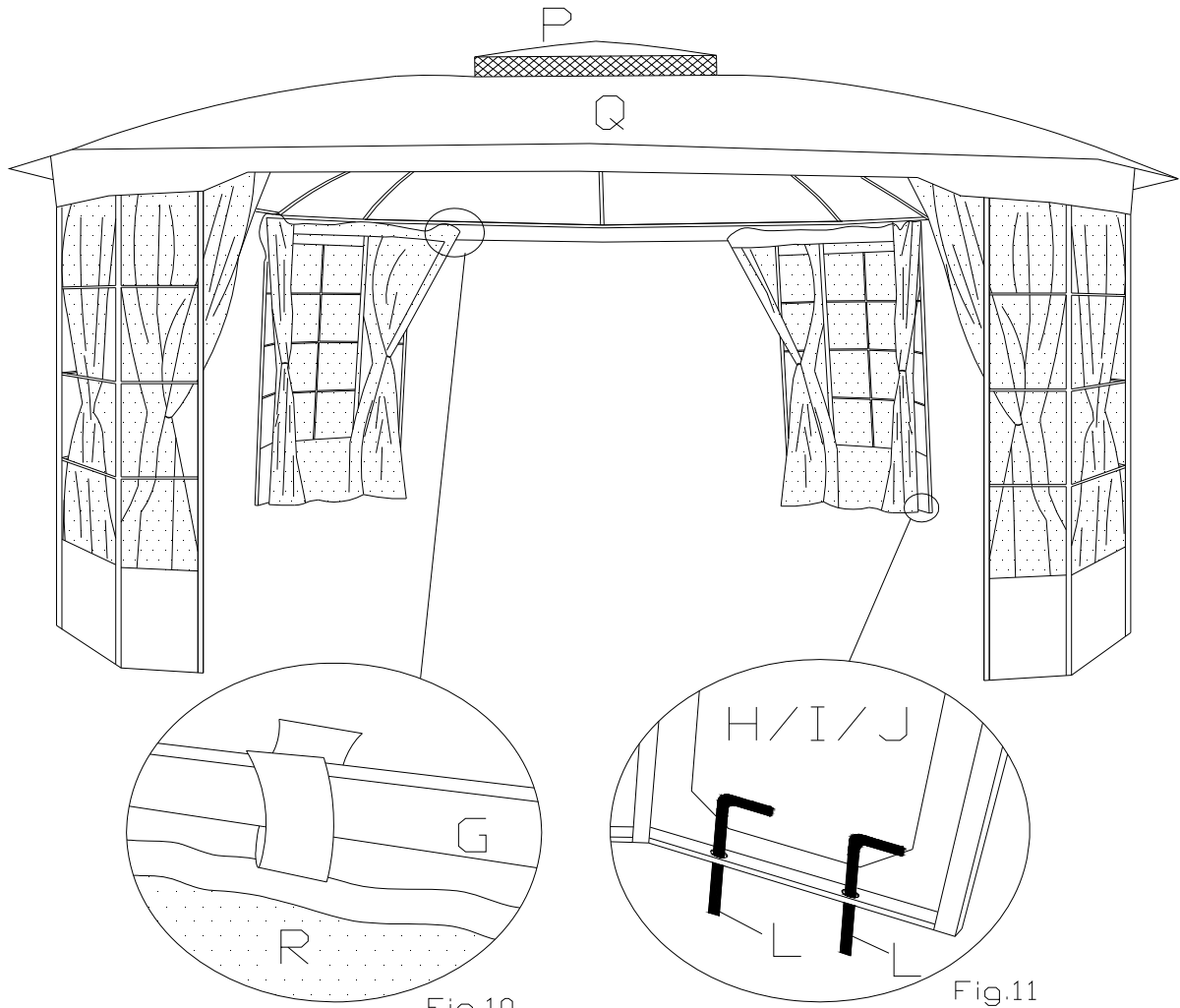
Put the Vent Canopy (P) onto the Small Top Bar(B)(See Fig. 9).

Then, securely attach the Canopy(Q) to the Top Tube and the Cross Beams using the velcro strips.

Now, fully unfold and drape the Canopy over the entire gazebo frame.

Proceed to securely tighten up all edges by taping all velcro straps together.

## Step 6












Attach the Mosquito Netting(R) to the Cross Beams(G) and Panels using the velcro straps. (See Fig. 10)

Adjust the position of the Gazebo as desired.

Fix the Gazebo to the ground by inserting the Stakes(L) well into the ground, through the holes on the Panels bases(H, I, J). (See Fig. 11)

Your Gazebo is now ready for use.

## Care & Maintenance

-  ● Do not put **HOT** items directly on furniture surface.
  -  ● Do not clean furniture with **HARSH** cleansers or polish.
  -  ● To prolong product lifetime, **AVOID** placing furniture under direct sunlight.
  -  ● Do not place furniture near **heating or cooling** vents.
  -  ● Do not write on furniture without a padded barrier to protect the surface.
  -  ● To prolong the product lifetime, avoid extended and lengthy exposure to rain and sunshine. Where possible, place under covers and or patio and or awnings.
  -  ● For residential use only. Not for commercial use.
  -  ● Stains may be removed with mild soap solution and damp cloth.
- 
-  ● Dust and pick-up spills using a clean, non-colored, lint-free cloth.