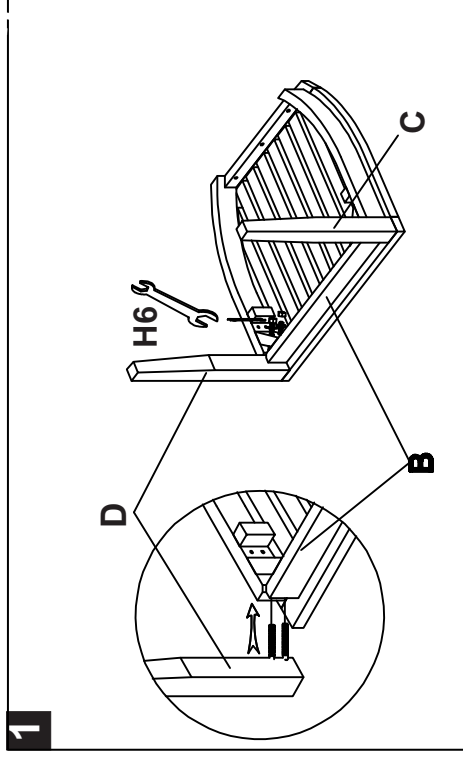


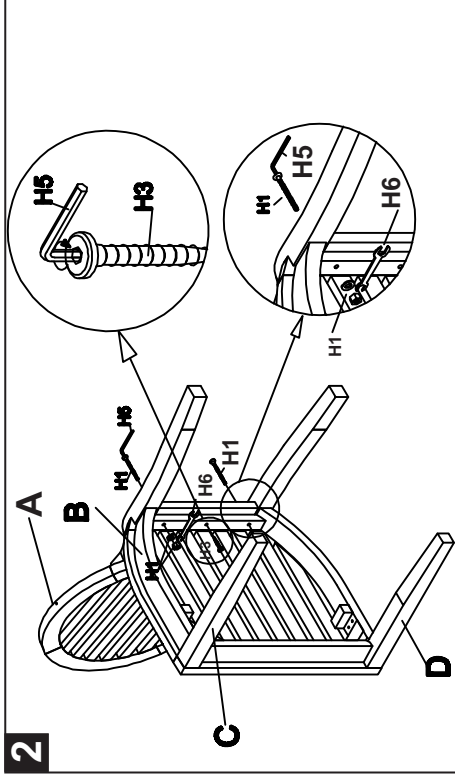
PREPARATION

Before beginning the assembly of the product, make sure all parts are present. Compare the parts with the package contents list and hardware contents list. If any parts are missing or damaged, do not attempt to assemble the product.

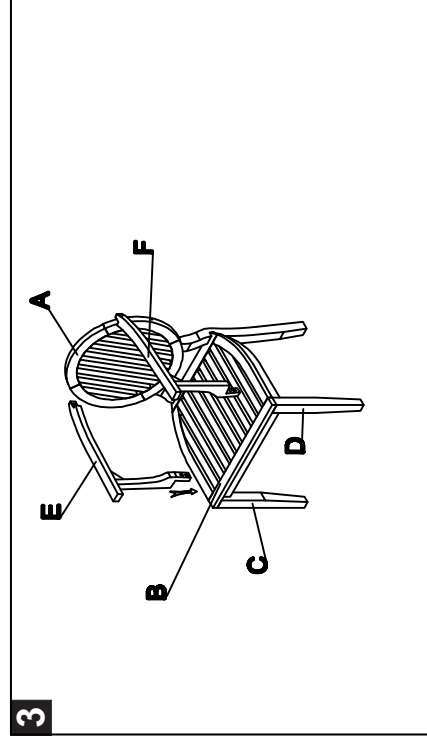
Tool required for assembly (included): Allen Key and Wrench.



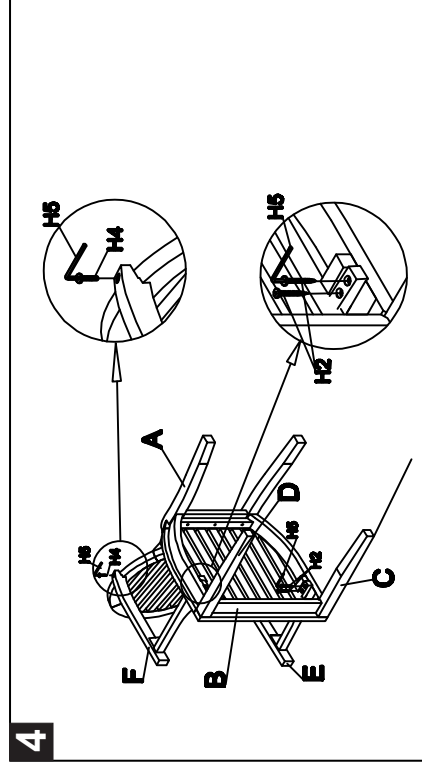
Step 1: attach the left leg (D) and the right leg (C) to the seat (B). Use the wrench (H6) to tighten all bolts as shown on the picture.



Step 2: attach the back (A) to the seat (B) using the Allen screw S (H3) and allen bolt L(H1) as shown on the picture. Tighten all bolt with the Allen Key (H5) and wrench (H6).



Step 3: put the right arm(E) and left arm (F) as shown on the picture.



Step 4: Tighten the arms to the chair with the Allen bolt S (H4) and Allen screw L (H2) by using the Allen Key (H5) as shown on the picture.









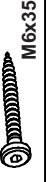



CARE AND MAINTENANCE

Store outdoor furniture indoors or cover well when it is not in use. Dust regularly with small brush or vacuum. Spills should be taken care of immediately before they harden or stain with a slightly dampened sponge.

NOTICE

Please make sure that you have all parts indicated before you begin assembly of this item.

Part List and Hardware List

PIECE	DESCRIPTION	PICTURE	QUANTITY
A	Back		1 X
B	Seat		1 X
C	Right leg		1 X
D	Left leg		1 X
E	Right arm		1 X
F	Left arm		1 X
H1	Allen bolt L		2 X
H2	Allen screw L		4 X
H3	Allen screw S		1 X
H4	Allen bolt S		2 X
H5	Allen Key		1 X
H6	Wrench		1 X

SAFAVIEH OUTDOOR LIVING

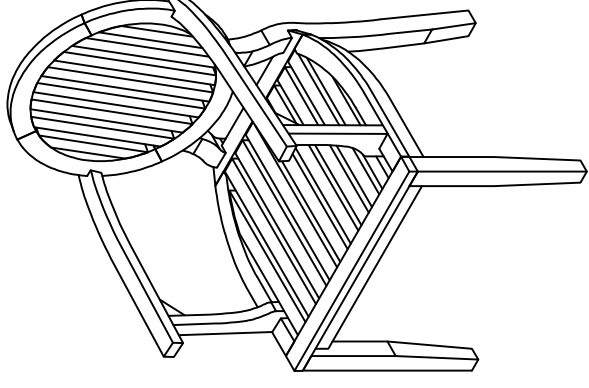
MODEL# PAT6706

Product Dimension: 24.8"W x 22.83"D x 37.01"H

Weight capacity : 300 lbs

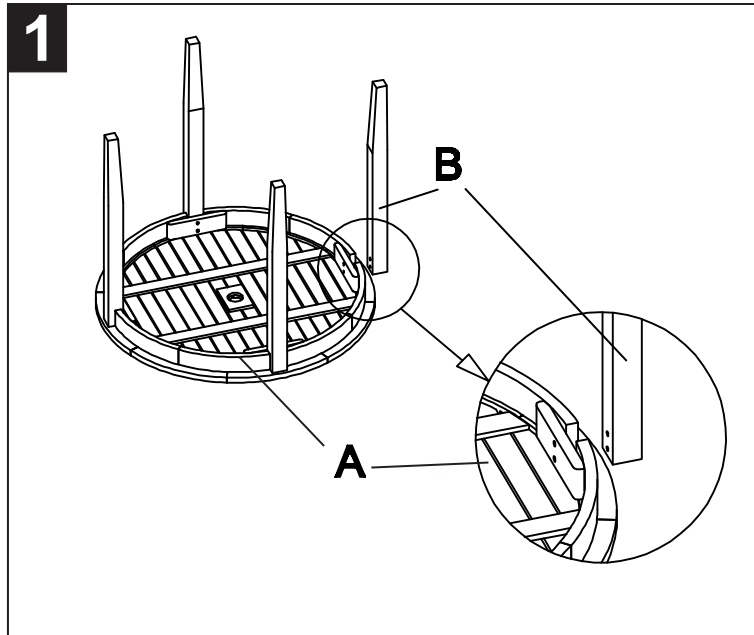
Warning : Do not stand on the chair

Warning : Do not torque bolts / screws

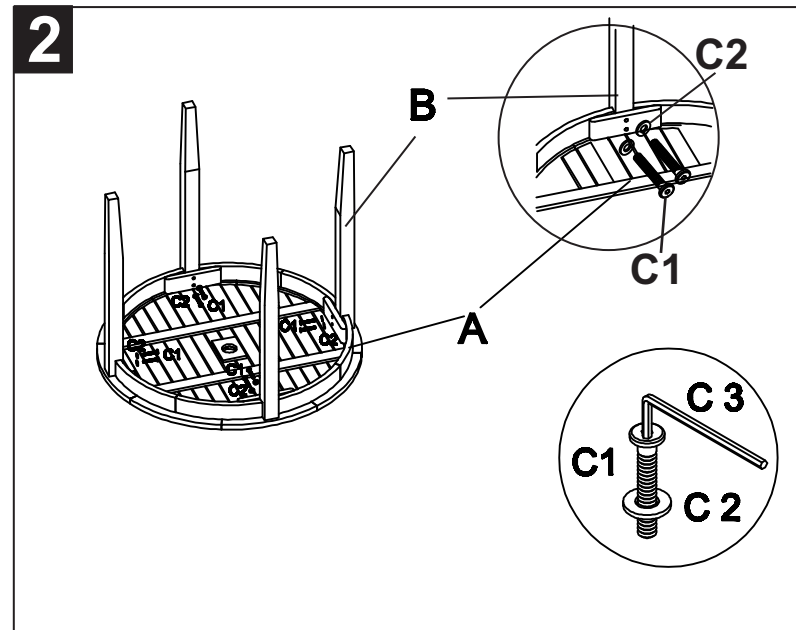


PREPARATION

Before beginning the assembly of the product, make sure all parts are present. Compare the parts with the package contents list and hardware contents list. If any parts are missing or damaged, do not attempt to assemble the product. Tool required for assembly (included): Allen Key.



Step1: attach the legs (B) to the table top (A) as shown on picture.



Step 2: using the allen bolt (C1) and washer (C2) to tighten all legs into the table top by using the Allen key(C3) as shown on the picture.


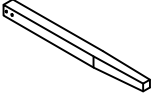


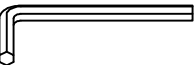
CARE AND MAINTENANCE

Store outdoor furniture indoors or cover well when it is not in use. Dust regularly with small brush or vacuum. Spills should be taken care of immediately before they harden or stain with a slightly dampened sponge.

NOTICE

Please make sure that you have all parts indicated before you begin assembly of this item.

Part List and Hardware List

PIECE	DESCRIPTION	PICTURE	QUANTITY
A	Table top		1 X
B	Leg		4 X
C 1	Allen bolt	 M8x50	8 X
C 2	Washer		8 X
C 3	Allen Key		1 X

 **SAFAVIEH**
OUTDOOR LIVING

MODEL# PAT6706

Product Dimension: 35.43"W x 35.43"D x 29.53"H

Weight capacity : 40 lbs.

Warning : Do not stand on the table

Warning : Do not torque bolts / screws

