
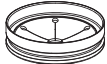



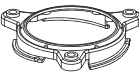




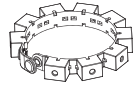
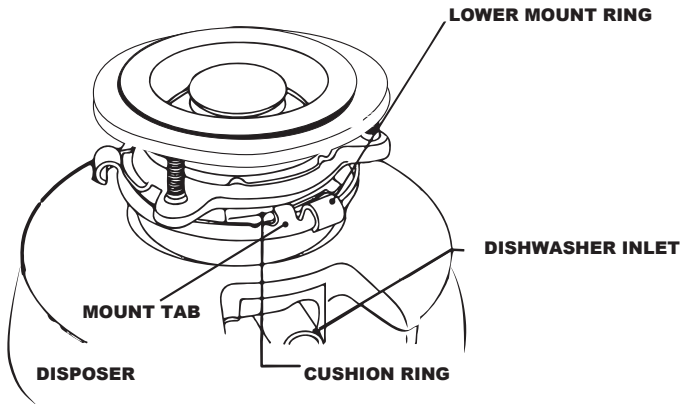


- A**  **STOPPER**
- B**  **REMOVABLE SPLASH GUARD**
- C**  **SINK FLANGE**
- D**  **FIBER GASKET**
- E**  **SUPPORT FLANGE**
- F**  **UPPER MOUNT RING**
- G**  **MOUNT SCREWS**
- H**  **RETAINER RING**
- I**  **CUSHION RING\***
- J**  **LOWER MOUNT RING\***
- K**  **MAGNETIC CATCH RING**  
**ATTACHMENT INCLUDED WITH MODELS EB750, EB750-SL & EB1250-HT (See page 8 for installation)**

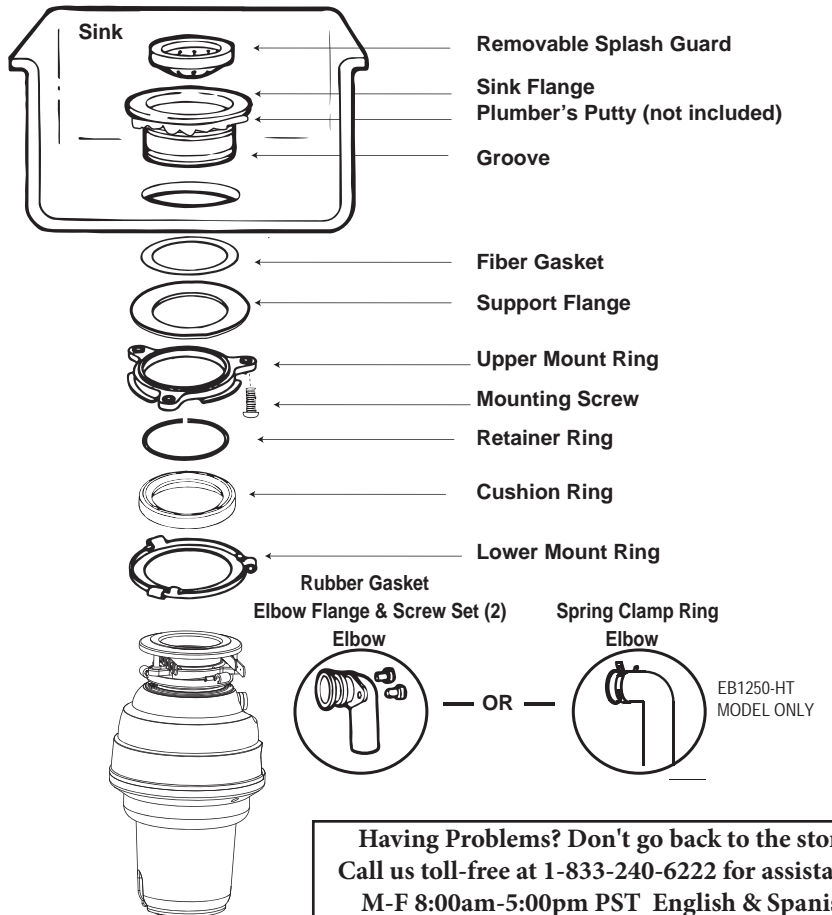
**READ CAREFULLY AND COMPLETELY BEFORE STARTING**

NOTE: As the mounting assembly is properly assembled at the factory, please pay close attention to the order of the mounting system parts.



NOTE: Cushion Ring included between the Upper Mount Ring and Lower Mounting Ring.

\* Part not disengaged during disposer installation.



**Having Problems? Don't go back to the store. Call us toll-free at 1-833-240-6222 for assistance. M-F 8:00am-5:00pm PST English & Spanish**