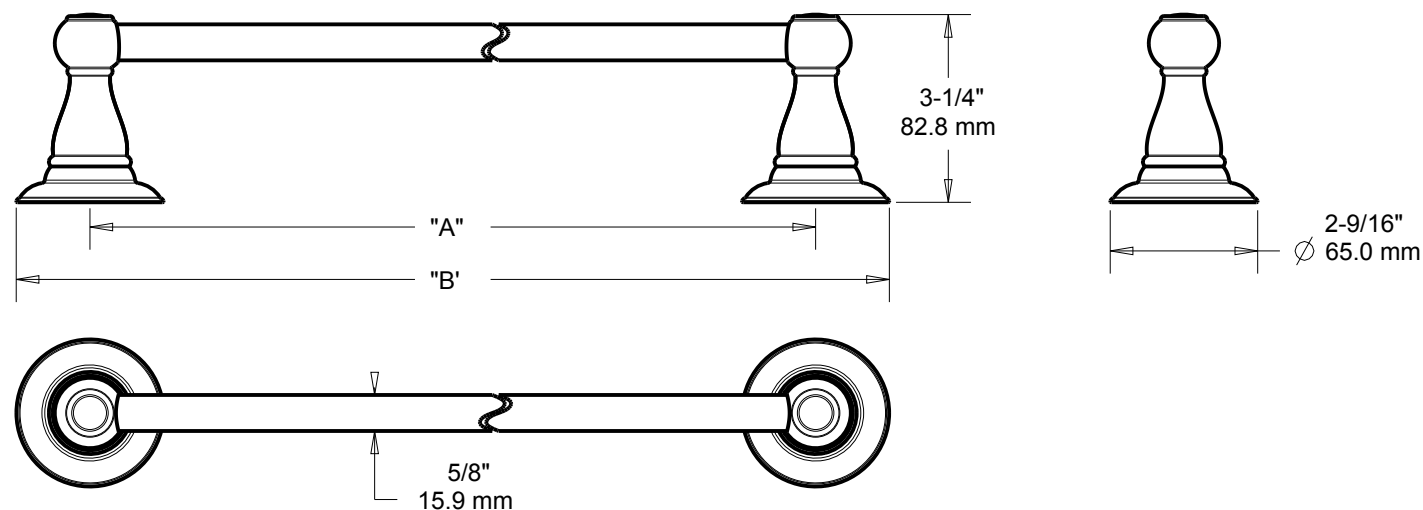
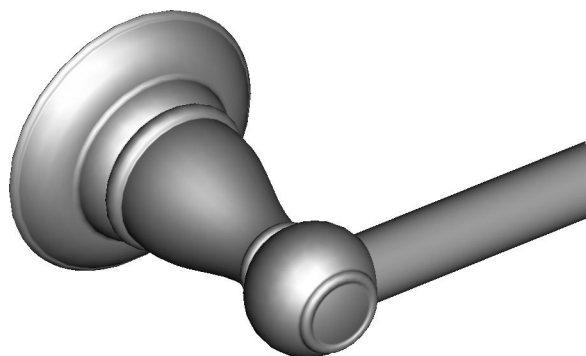


# TECHNICAL DATA

## Porter - Easy Clip

## 18", 24" TOWEL BAR



**MATERIALS:** Post - Zinc Die Cast  
Bar - Steel  
Wall Plate - Steel, Zinc Plated

**INSTALLATION:** Mount wall plate bracket(s) per installation instructions with supplied fasteners. Slip product over wall plate(s) and slide down to secure.

**OPTIONAL FASTENER INFORMATION:**

Wood blocking is preferable behind all wall surfaces. If wood blocking is not available, the following fasteners are suggested: Tile/Masonry - Plastic or Lead Anchors, Plaster/Drywall - Toggle Bolts.

**SPECIFICATION:** Surface mounted Towel Bar shall be model \_\_\_\_\_  
(fill in model number) by Liberty Hardware Manufacturing Corporation.

LENGTH	18" 457.2 mm	24" 609.6 mm
DIM "A"	18" 457.2 mm	24" 609.6 mm
DIM "B"	20 9/16" 522.0 mm	26 9/16" 674.6 mm



see what Delta can do