

PRE-ASSEMBLY

1. Please read all instructions carefully before beginning assembly.
2. Remove all parts and hardware from the box and lay out on a clean, carpeted or scratch-free work surface, as this will avoid damaging any parts during assembly.
3. The shipping box provides an ideal work surface. Do not dispose any contents until assembly is completed to avoid accidentally discarding parts or hardware.
4. We recommend adult assembly by two people for your safety.

CARE INSTRUCTIONS

- 1) Clean with a dry cloth.
- 2) Do not use any chemical to polish the product.


PARTS INCLUDED:

1. Head Board - 01 Pc
2. Foot Board - 01 Pc.
3. Side Rail - 02 Pcs.
4. Center Rail - 01 Pc.
5. Wooden Slats - 10 Pcs.

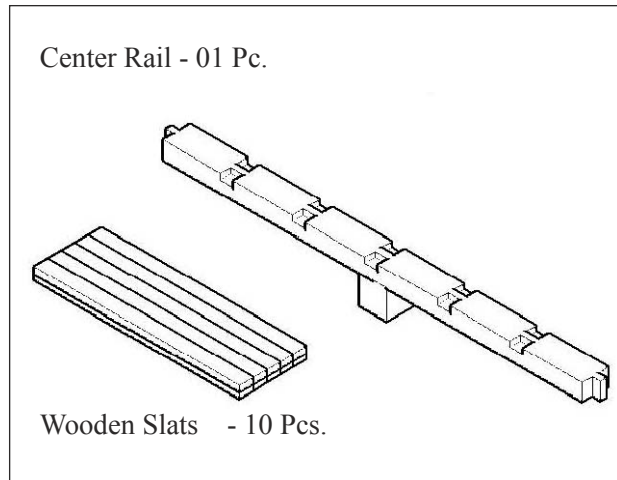
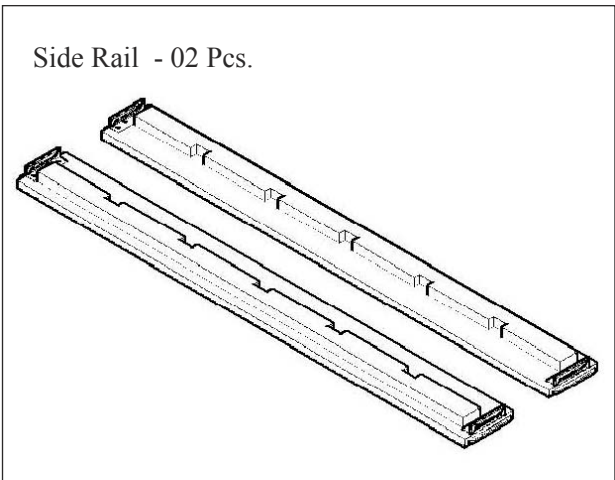
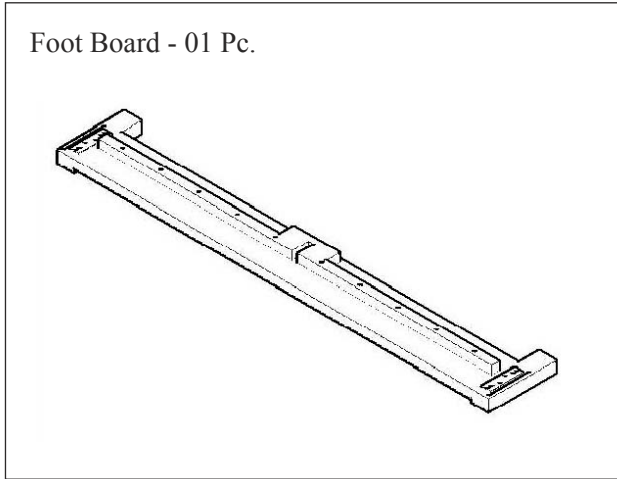
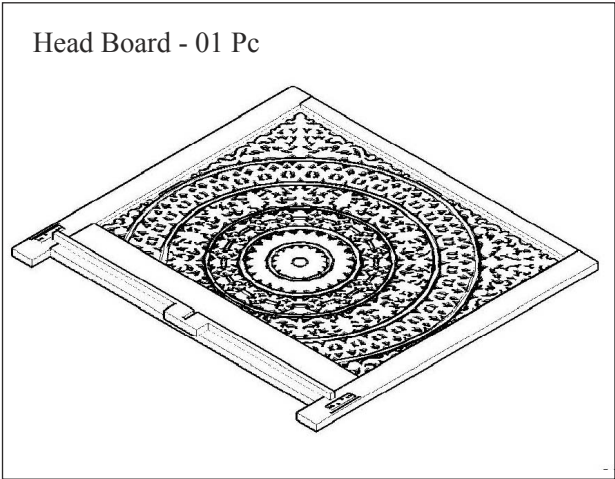
HARDWARE ENCLOSED:

6. Allen Bolts - 08 Pcs.
7. Washer - 08 Pcs.
8. Allen Key - 01 Pc.

Safety Instructions



Due to the beautiful and intricate solid wood carved headboard's weight, we recommended you place this bed against a wall.



		
Spring washers: 8+2 Pcs	Bolts:8+2 Pcs	Allen Key:1 Pc

ASSEMBLY INSTRUCTIONS:

Step 1: Take out all parts supplied on a clean surface as shown in fig. 1.

Step 2: Take out the bolts, washers and Allen key provided in the Hardware Pack.

Step 3: Match Side Rail to Head Board 'A' to 'A' & Foot Board 'D' to 'D'. Put washer on to a bolt and insert into the board & tighten with allen key provided as shown in figure 2.

Step 4: Match another Side Rail to Head Board 'B' to 'B' & Foot Board 'C' to 'C'. Put washer on to a bolt and insert into the board & tighten with allen key provided as shown in figure 2.

Step 5: After assembling Side Rails to head board and foot board, place the Center Rail as shown in fig. 3.

Step 6: Place the wooden slats as shown in fig. 4.

