

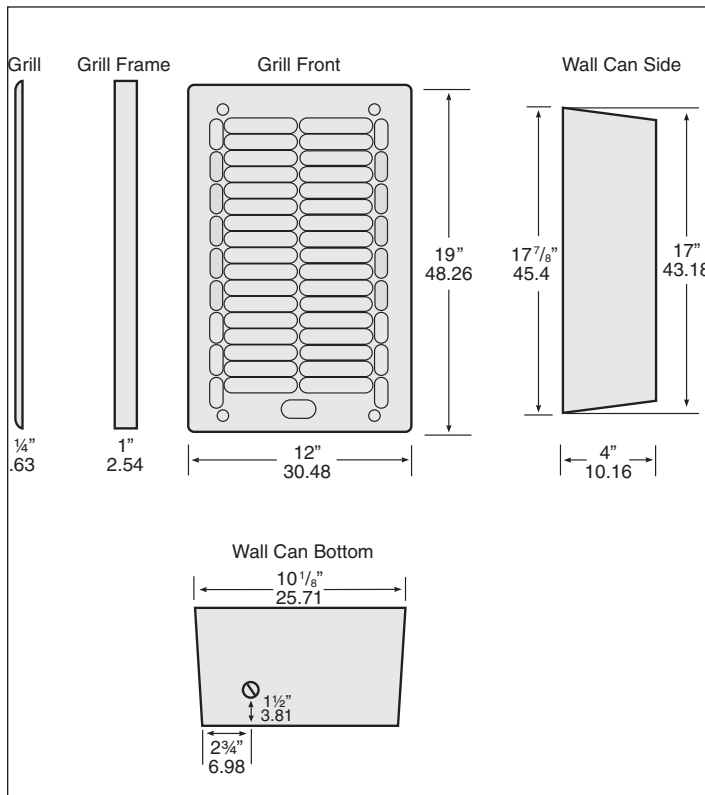
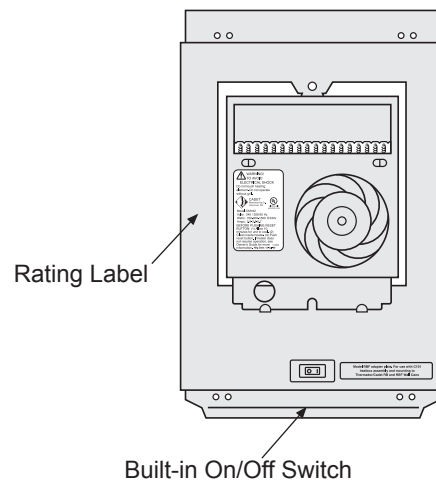
### Benefits You Can Depend On

- DUAL SAFETY FEATURES
  - Primary: "power reset" thermal switch
  - Secondary: over temperature thermal fuse
- Heating element style quickly warms your room, and quickly cools when heater is not in use
- Common sense components designed with you in mind
  1. NO sharp edges
  2. Corrosion resistant
  3. Easy to install wall can
- Convenient ON/OFF switch control
- Retrofits into model RBC wall can, or use with model RBFC wall can sold separately
- Your Cadet heater has been thoroughly tested and is guaranteed with a **2 year extended warranty**



RBF Model			
Line Voltage	Model with On/Off Switch	Watts	Amps
120	RBF101	1000	8.33

RBF with Built-in On/Off Switch  
\*Wall Thermostat Not Required



- |  |   |
|--|---|
| <p><b>TOOLS REQUIRED:</b></p> <ul style="list-style-type: none"> <li>• Phillips Screwdriver</li> <li>• Straight Screwdriver</li> <li>• Wire Strippers</li> </ul> | <ul style="list-style-type: none"> <li>• Utility Knife</li> <li>• (2) 1 1/2" Wood Screws</li> <li>• Insulated Wire Connectors</li> <li>• (1) Strain Relief Connector</li> </ul> |
|--|---|

# IMPORTANT INSTRUCTIONS

## ⚠️ WARNING

When using electrical appliances, basic precautions should always be followed to reduce the risk of fire, electric shock, and injury to persons, including the following:

1. Read all instructions before installing or using this heater.

## 2. ⚠️ WARNING

Risk of Fire. This heater is hot when in use. Caution—High Temperature. Risk of Fire. Keep electrical cords, drapery, furnishings, and other combustibles at least 3 feet from the front of the heater and 6 inches above and on both sides.

## 3. ⚠️ WARNING

Burn Hazard. To avoid burns, do not let bare skin touch hot surfaces. Extreme caution is necessary when any heater is used by or near children or invalids and whenever the heater is left operating and unattended.

## 4. ⚠️ WARNING ⚠️

Risk of Electrical Shock. Do not operate any heater after it malfunctions. Disconnect power at service panel and have heater inspected by a qualified electrician before reusing.

## 5. ⚠️ WARNING

Do not use outdoors.

6. To disconnect heater, turn controls to off, and turn off power to heater circuit at main disconnect panel.

## 7. ⚠️ WARNING ⚠️

Risk of Electrical Shock. Do not insert or allow foreign objects to enter any ventilation or exhaust opening as this may cause an electric shock or fire, or damage the heater.

## 8. ⚠️ WARNING

Risk of Fire. To prevent a possible fire, do not block air intakes or exhaust in any manner.

## 9. ⚠️ WARNING

Fire or explosion may occur. A heater has hot and arcing or sparking parts inside. Do not use it in areas where gasoline, paint, or flammable vapors or liquids are used or stored.

10. Use this heater only as described in this manual. Any other use not recommended by the manufacturer may cause fire, electrical shock, or injury to persons.

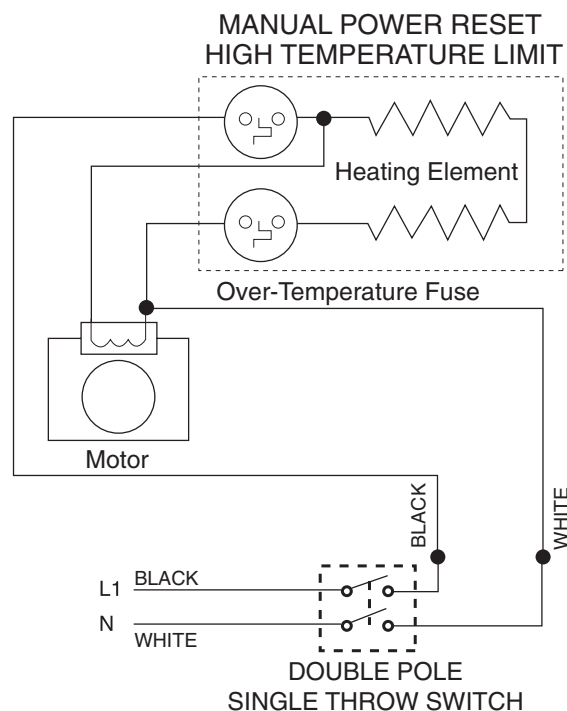
11. The heater must be properly installed before it is used.

## 12. ⚠️ WARNING ⚠️

Risk of Electrical Shock and Fire. Do not operate without grill.

13. Save these instructions.

## Wiring Diagram



## SAVE THESE INSTRUCTIONS

# INSTALLATION INSTRUCTIONS

## 1. ⚠️ **WARNING**

Verify that the electrical supply wires are the same voltage as the heater.

2. If replacing an existing heater, check the label of the old heater.

3. All electrical work and materials must comply with the National Electric Code (NEC), the Occupational Safety and Health Act (OSHA), and all state and local codes.

4. If you need to install a new circuit or need additional wiring information, consult a qualified electrician.

5. Use copper conductors only.

## 6. ⚠️ **WARNING** ⚠️

Risk of Electrical Shock. DO NOT install the heater directly above bathtub or sink. DO NOT install in shower stall area (Manufacturer recommends a minimum 2 foot clearance).

7. Heater must be installed in a wall can:  
Model RBF Wall Can RBFC

## 8. ⚠️ **WARNING**

Risk of Fire. DO NOT install the heater in a floor, in the ceiling, below a towel bar, behind a door, or anywhere the air discharge may be blocked in any manner.

## 9. ⚠️ **WARNING**

Fire or Explosion May Occur. A heater has hot and arcing or sparking parts inside. Do not use it in areas where gasoline, paint, or flammable vapors or liquids are used or stored.

## 10. ⚠️ **WARNING** ⚠️

Risk of Electrical Shock. Connect grounding lead to grounding screw provided. Keep all foreign objects out of heater.

## 11. ⚠️ **WARNING**

Risk of Fire. This heater is hot when in use. Caution—High Temperature. Risk of Fire. Keep electrical cords, drapery, furnishings, and other combustibles at least 3 feet from the front of the heater and 6 inches above and on both sides.

## Part One

**PLACEMENT:** The RBF is UL approved for vertical installation only.

**CONTROL:** An ON/OFF control is built into the product.

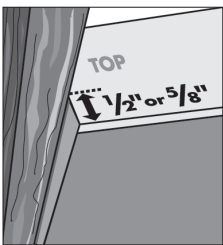
### How do I install for new construction?

#### STEP 1 Mount The Wall Can

REQUIRED MINIMUM distance of 6 inches from adjacent surfaces and 4-1/2 inches from the floor (See Figure 3). However, Cadet RECOMMENDS 12 inches from adjacent surfaces and floor for longer and cleaner performance. Heaters must be spaced at least 3 feet apart.

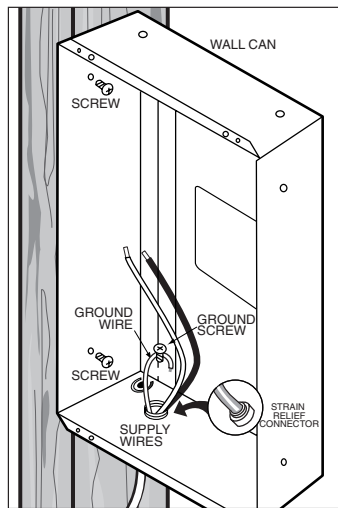
Note: Front edge of wall can must be flush with finished wall. If installing on unfinished wall; face of wall can must extend from face of stud to allow for thickness of sheetrock (See Figure 1). Secure the wall can to the stud with 2 or more screws (not included) through holes provided in wall can.

Figure 1



Face of wall can must extend 1/2 inch or 5/8 inch from face of stud to allow for thickness of sheetrock.

Figure 2



#### STEP 2 Route Supply Wires

Route supply wire from circuit breaker through opening in bottom of wall can and secure with strain relief connector, leaving 6 to 10 inches wire lead for later use. Connect supply ground wire to grounding screw in wall can (See Figure 2).

Proceed to PART TWO.

### How do I install in an existing wall?

#### STEP 1 Cut A Hole In The Wall

REQUIRED MINIMUM distance of 6 inches from adjacent surfaces and 4-1/2 inches from the floor (See Figure 3). However, Cadet RECOMMENDS 12 inches from adjacent surfaces and floor for longer and cleaner performance. Heaters must be spaced at least 3 feet apart.

Cut a hole 10 1/4 inches wide by 16 3/4 inches high next to wall stud.

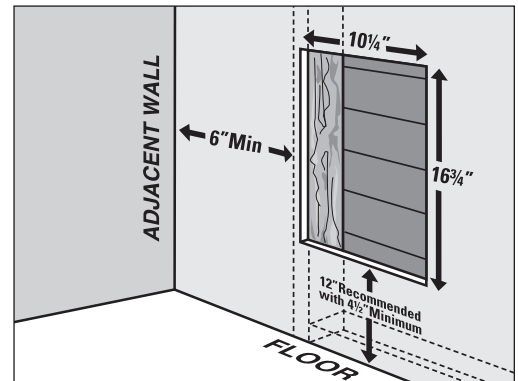


Figure 3

#### STEP 2 Route Supply Wires

Route supply wire from circuit breaker through opening in bottom of wall can and secure with strain relief connector, leaving 6 to 10 inches wire lead for later use. Connect supply ground wire to grounding screw in wall can (See Figure 2).

#### STEP 3 Mount The Wall Can

Insert wall can into opening. Note: Front edge of wall can must be flush with finished wall (See Figure 1). Secure the wall can to the stud with 2 or more screws (not included) through holes provided in wall can.

Proceed to PART TWO.

# INSTALLATION INSTRUCTIONS (continued)

## Retrofitting RBF101 as Replacement for RB Heaters

### STEP 1 Remove Existing Heater

A. **WARNING!** Before removing grill, turn the electrical power off at the electrical panel board (circuit breaker or fuse box). Lock or tag the panel board door to prevent someone from accidentally turning the power on while you are working on the heater. Failure to do so could result in serious electrical shock, burns, or possible death.

B. It is important that you verify power has been turned off and no power is going to the heater before proceeding. Circuit breakers are often not marked correctly and turning the wrong breaker off could mean electricity is flowing to the heater, even if the heater does not appear to be working. If you are uncomfortable working with electrical appliances, unable to follow these guidelines, or do not have the necessary equipment, consult a qualified electrician.

C. Once you verify the power has been turned off correctly, proceed to next step.

D. Remove screws and take off grill.

E. Separate supply wire and lead wire connections.

Proceed to PART TWO.

## Part Two

After you have followed all instructions in PART ONE or RETROFITTING, you are ready to install the heater assembly.

*How do I insert the heater assembly into the wall can?*

### STEP 1 Install Heater Assembly

Install spring clips on wall can edge, two at the top and two at the bottom (See Figure 4). Lay heater assembly on its front surface and position so rocker switch will be installed at bottom of wall can (See Figure 5). Make the connection of the supply wires to the lead wires from the rocker switch. Position the heater assembly to fit adapter plate to the surface of the wall can (See Figure 4). Be sure all lead wires are inside the wall can before securing heater assembly. (Use the four #10 32 x 1/2 inch machine screws; two at top and two at bottom.)

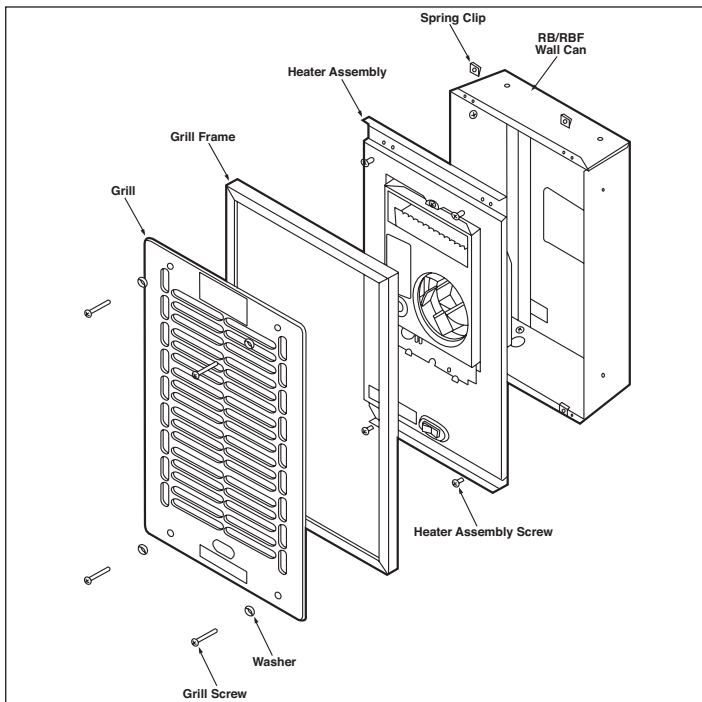


Figure 4

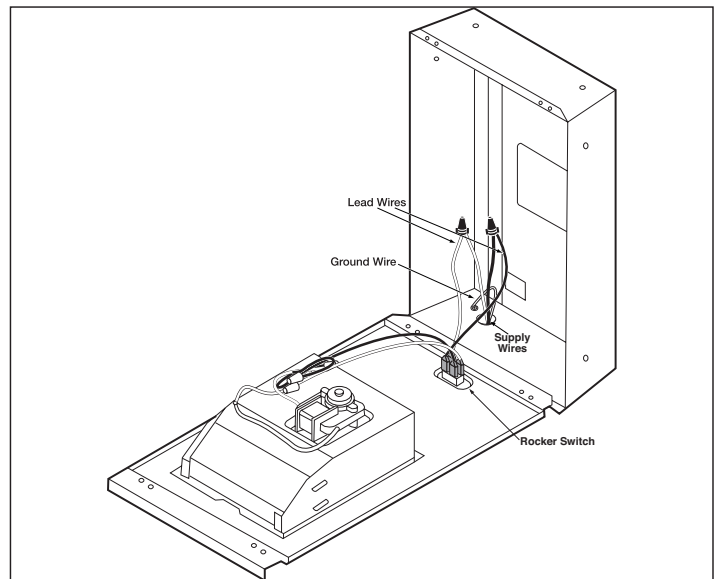


Figure 5

### STEP 2 Install Grill Frame and Grill

Remove protective film from frame and grill before installing. Place grill frame outside top and bottom flanges of the heater assembly. Place grill over frame and secure with the four finishing washers and four #10 x 1 1/2 inch Phillips oval head sheet metal screws (See Figure 4). Start all four screws before tightening (Note: Over tightening screws may damage grill).

# OPERATING INSTRUCTIONS

**⚠ WARNING** Risk of Electrical Shock and Fire. The heater must be properly installed before it is used.

1. Do not operate without grill.
2. Keep electrical cords, drapery, furnishings and other combustibles at least 3 feet away from the front of the heater and 6 inches away from the sides.
3. Do not tamper with the over temperature limit control.
4. If the heater over temperature limits trip more than once per day, the heater must be replaced.

## How to operate your heater

Once installation is complete and power has been restored, turn the heater switch on.

**Important:** The heater will remain on until it is manually turned off.

5. Clean heater at least every six months.
6. After allowing the heater to cool, turn power off at circuit breaker panel before removing grill.
7. Use a hair dryer or vacuum on blow cycle to blow debris through the top element (do not touch element).
8. Install the grill before turning on power.

**⚠ WARNING:** Any other service not detailed in this Owner's Guide should be performed by an authorized service representative.

## About the Heater Temperature-Limiting Controls

If normal operating temperatures are exceeded (due to abnormal circumstances), the heater has two temperature-limiting controls. Both limiting controls are located on the element assembly. The first is a manual power reset limit control, designed to open the heater circuit when excessive operating temperatures are detected. The problem must be assessed and the limit must be reset to resume operation.

Further protection is provided by a secondary over-temperature fuse, which will open the heater circuit in severe over-temperature conditions, or in the event of component failure. If this occurs, the heater must be repaired or replaced.

## Resetting the Manual Power Reset Limit Control

If the manual power reset limit has opened the heater circuit due to excessive operating temperatures, the heater will not work until it is reset. This can be done at the ON/OFF rocker switch control or the circuit breaker controlling the heater.

### To Reset Heater at the ON/OFF rocker switch control

1. Change rocker switch control to OFF position.
2. Allow the unit to cool for at least 20 minutes.
3. Resolve the problem causing the limit to trip (typically the heater is blocked or needs cleaning, see Maintenance Instructions).
4. Change rocker switch control to the ON position. The heater should come back on. If it does not come back on, reset heater at the circuit breaker, using directions to the right. An additional 20 minute waiting period is required every time the power is turned off. Restoring power, even briefly, will heat the limit even though the heater does not come on.
5. The heater is now functional.

### To Reset Heater at the Circuit Breaker (recommended if room temperature is below 45°)

1. Trip the breaker by switching it to the OFF position.
2. Allow the unit to cool for at least 20 minutes.
3. Resolve the problem causing the limit to trip (typically the heater is blocked or needs cleaning, see Maintenance Instructions).
4. Restore power to the heater by switching the breaker to the ON position.
5. Change rocker switch control to the ON position. The heater should come back on. An additional 20 minute waiting period is required every time the power is turned off. Restoring power, even briefly, will heat the limit even though the heater does not come on.
6. The heater is now functional.

Note that resetting the manual power reset control may not restore heater operation if a severe over-temperature condition has occurred. See the Troubleshooting Guide on next page for more information.

## Warranty

For more effective and safer operation and to prolong the life of the heater, read the Owner's Guide and follow the maintenance instructions. Failure to properly maintain the heater will void any warranty and may cause the heater to function improperly. Warranties are non transferable and apply to original consumer only. Warranty terms are set out below.

**LIMITED TWO-YEAR WARRANTY:** Cadet will repair or replace any RBF heater found to be defective within two years after the date of purchase.

### These warranties do not apply:

1. Damage occurs to the product through improper installation or incorrect supply voltage;
2. Damage occurs to the product through improper maintenance, misuse, abuse, accident, or alteration;
3. The product is serviced by anyone other than Cadet;
4. If the date of manufacture of the product cannot be determined;
5. If the product is damaged during shipping through no fault of Cadet.
6. CADET'S WARRANTY IS LIMITED TO REPAIR OR REPLACEMENT AS SET OUT HEREIN. CADET SHALL NOT BE LIABLE FOR DAMAGES SUCH AS PROPERTY DAMAGE OR FOR CONSEQUENTIAL DAMAGES AND/OR INCIDENTAL EXPENSES RESULTING FROM BREACH OF THESE WRITTEN WARRANTIES OR ANY EXPRESS OR IMPLIED WARRANTY.

7. IN THE EVENT CADET ELECTS TO REPLACE ANY PART OF YOUR CADET PRODUCT, THE REPLACEMENT PARTS ARE SUBJECT TO THE SAME WARRANTIES AS THE PRODUCT. THE INSTALLATION OF REPLACEMENT PARTS DOES NOT MODIFY OR EXTEND THE UNDERLYING WARRANTIES. REPLACEMENT OR REPAIR OF ANY CADET PRODUCT OR PART DOES NOT CREATE ANY NEW WARRANTIES.

8. These warranties give you specific legal rights, and you may also have other rights which vary from state to state. Cadet neither assumes, nor authorizes anyone to assume for it, any other obligation or liability in connection with its products other than as set out herein.

If you believe your Cadet product is defective, please contact Cadet Manufacturing Co. at 360-693-2505, during the warranty period, for instructions on how to have the repair or replacement processed. Warranty claims made after the warranty period has expired will be denied. Products returned without authorization will be refused.

### Parts and Service

Visit [http://www.cadetheat.com/parts\\_service.php](http://www.cadetheat.com/parts_service.php) for information on where to obtain parts and service.

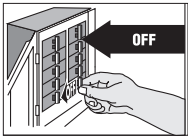


### Reduce-Reuse-Recycle

This product is made primarily of recyclable materials. You can reduce your carbon footprint by recycling this product at the end of its useful life. Contact your local recycling support center for further recycling instructions.

# MAINTAINING YOUR HEATER

**Maintenance As Needed, or every six months minimum.**



**⚠ WARNING!** Before removing grill, turn the electrical power off at the electrical panel board (circuit breaker or fuse box). Lock or tag the panel board door to prevent someone from accidentally turning the power on while you are working on the heater. Failure to do so could result in serious electrical shock, burns, or possible death.

**⚠ WARNING:** Any other service not detailed in this Owner's Guide should be performed by an authorized service representative.

1. It is important that you verify power has been turned off and no power is going to the heater before proceeding. Circuit breakers are often not marked correctly and turning the wrong breaker off could mean electricity is flowing to the heater, even if the heater does not appear to be working. If you are uncomfortable working with electrical appliances, unable to follow these guidelines, or do not have the necessary equipment, consult a qualified electrician.
2. Once you verify the power has been turned off correctly, proceed to the next step.
3. Remove screws, washers, grill and grill frame.
4. Wash grill with hot soapy water and dry immediately.
5. While holding fan (to avoid damage or bending), use a hair dryer or vacuum on blow cycle to blow debris through the top element (do not touch element).
6. Vacuum fan area without touching the elements.
7. Do not lubricate motor.
8. Replace grill frame, grill, washers and screws.
9. Turn power back on at the electrical panel board.

## Troubleshooting Chart

**\*CONSULT LOCAL ELECTRICAL CODES TO DETERMINE WHAT WORK MUST BE PERFORMED BY QUALIFIED ELECTRICAL SERVICE PERSONNEL.**

Symptom	Problem	Solution
Breaker trips immediately upon energizing heater.	<ol style="list-style-type: none"> <li>1. Incorrect supply voltage.*</li> <li>2. Overloaded circuit.*</li> <li>3. A short circuit exists in the supply or heater wiring.*</li> <li>4. Defective circuit breaker.*</li> </ol>	<ol style="list-style-type: none"> <li>1. Verify that supply voltage matches the heater rating.</li> <li>2. The total amperage of all heaters on a branch circuit must not be more than 80% of the amperage rating of the circuit breaker and supply wire ratings. Reduce the number of heaters on the circuit.</li> <li>3. Shorted supply or heater wires may be accompanied by severe sparking. Inspect all supply and heater wiring insulation for damage. Do not reset the circuit breaker until all electrical shorts have been repaired.</li> <li>4. Replace the circuit breaker.</li> </ol>
Heater fan operates, but does not discharge warm air.	<ol style="list-style-type: none"> <li>1. Insufficient element temperature.</li> <li>2. Incorrect supply voltage.*</li> <li>3. Element has failed.</li> </ol>	<ol style="list-style-type: none"> <li>1. Allow a few moments for element to reach operating temperature.</li> <li>2. Verify that supply voltage matches the heater rating.</li> <li>3. Replace element.</li> </ol>
Heater discharges smoke or emits a burnt odor.	<ol style="list-style-type: none"> <li>1. Dust, lint or other matter has accumulated inside heater.</li> <li>2. Poor or loose electrical connections.</li> </ol>	<ol style="list-style-type: none"> <li>1. Clean heater (See "Maintenance" section for instructions).</li> <li>2. Turn off power at circuit breaker. Inspect all supply and heater wire connections to make sure nothing is loose or poorly connected. Secure or reconnect all loose connections. Do not reset circuit breaker until all connections have been checked and repaired.</li> </ol>
Element heats for a moment without the fan turning, then immediately stops heating.	<ol style="list-style-type: none"> <li>1. Defective motor or internal connection.*</li> <li>2. Fan or motor jammed.</li> </ol>	<ol style="list-style-type: none"> <li>1. Heater or fan motor requires replacement.</li> <li>2. Remove obstruction and follow instructions in the "Operating" section for "Resetting the Manual Power Reset Limit Control." Test heater operation. If heater does not run, heater requires repair or replacement.</li> </ol>
Heater does not run.	<ol style="list-style-type: none"> <li>1. Heater has tripped the power reset high-temperature control.</li> <li>2. Heater has tripped the secondary over-temperature fuse.</li> <li>3. Power not on at the circuit breaker.</li> <li>4. Broken or poorly connected wire(s) to heater.</li> <li>5. Defective rocker switch control.</li> </ol>	<ol style="list-style-type: none"> <li>1. Follow instructions in the "Operating" section for "Resetting the Manual Power Reset Limit Control."</li> <li>2. A severe over-temperature condition has occurred. Repair or replace heater.</li> <li>3. Turn on the correct circuit breaker in the main panel.</li> <li>4. Turn off power at circuit breaker. Check supply wire continuity and proper connection to heater wires.</li> <li>5. The entire heater, or any of its components may be checked for continuity to determine the cause of any problems. Repair or replace the heater or rocker switch.</li> </ol>

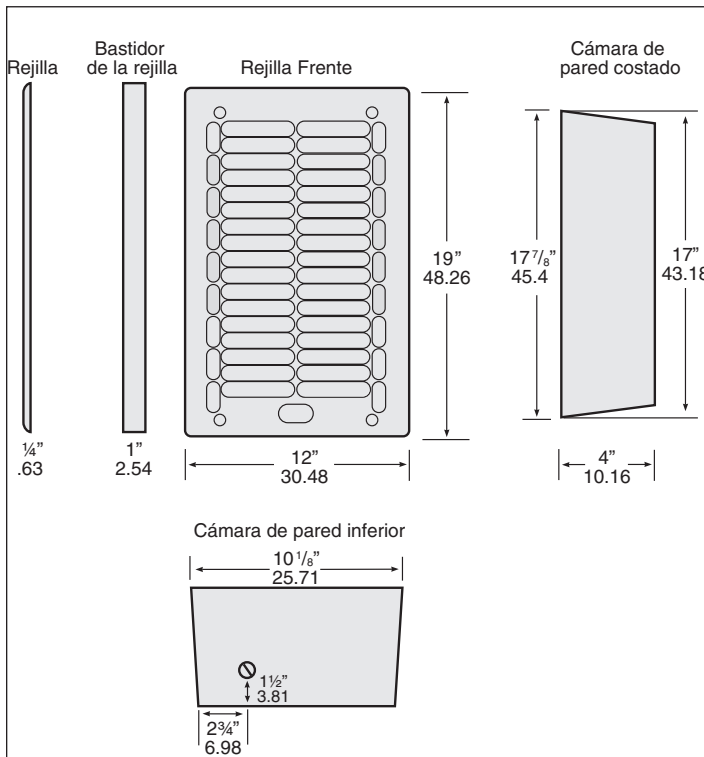
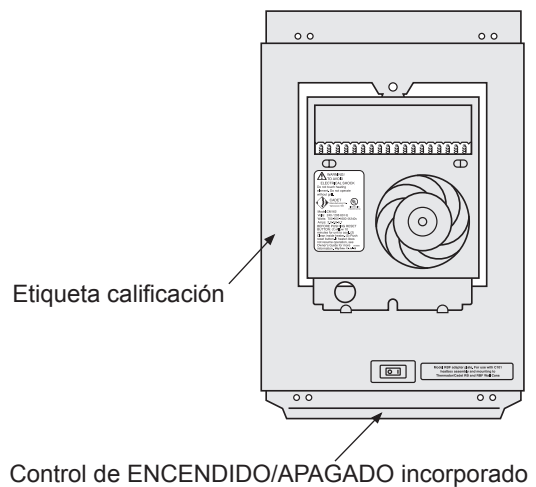
### Beneficios En Las Que Puede Confiar

- **CARACTERÍSTICAS DE DOBLE SEGURIDAD**  
Primaria: interruptor térmico con "reinicio de potencia"  
Secundaria: fusible térmico de sobretemperatura
- El estilo de elemento calentador calefacciona rápidamente el ambiente y se enfría con rapidez cuando no está en uso
- Componentes con sentido común diseñados pensando en usted
  1. SIN bordes filosos
  2. Resistentes a la corrosión
  3. Cámara de pared fácil de instalar
- Cómodo control de interruptor ON/OFF (ENCENDIDO/APAGADO)
- Calza en la cámara de pared del modelo RBC o bien puede usarlo con la cámara de pared del RBFC se vende por separado
- Su calentador Cadet ha sido completamente probado y cuenta con una **garantía extendida de 2 años**



Modelo RBF			
Voltaje Linea	Modelo con control de ON/OFF (ENCENDIDO/APAGADO) incorporado	Vatios	Amps
120	RBF101	1000	8.33

RBF con control de ENCENDIDO/APAGADO incorporado  
\*No requieren termostato mural



- HERRAMIENTAS NECESARIAS:**
- Destornillador Phillips
  - Destornillador plano
  - Pelacables
  - Cuchillo multiuso
  - (2) tornillos de 1/2" para madera
  - Conectores de alambre aislados
  - (1) conector de alivio de tensión

# INSTRUCCIONES IMPORTANTES

## ⚠️ ADVERTENCIA

Al utilizar artefactos eléctricos, siempre se deben adoptar precauciones básicas para reducir el riesgo de incendios, electrocución y lesiones personales, incluyendo lo siguiente:

1. Lea todas las instrucciones antes de instalar o usar este calentador.

## 2. ⚠️ ADVERTENCIA

Riesgo de incendio. Este calentador se calienta mucho cuando está en uso. Precaución – Alta temperatura. Riesgo de incendio. Mantenga los cables eléctricos, cortinas, muebles, y demás materiales combustibles a por lo menos 3 pies por delante y a 6 pulgadas por encima y por ambos costados del calentador.

## 3. ⚠️ ADVERTENCIA

Riesgo de quemaduras. Para evitar quemaduras, no lo toque con su piel descubierta. Tenga mucho cuidado cuando algún tipo de calentador sea usado por o cerca de niños o de personas inválidas, y cada vez que lo deje funcionando sin vigilancia.

## 4. ⚠️ ADVERTENCIA ⚠️

Riesgo de electrocución. No opere ningún calentador después de una avería. Desconecte la alimentación en el panel de servicio y pida a un técnico electricista calificado que lo revise antes de volver a usarlo.

## 5. ⚠️ ADVERTENCIA

No lo use a la intemperie.

6. Para desconectarlo, ponga los controles en OFF, y apague la alimentación del circuito del calentador en el panel de desconexión principal.

## 7. ⚠️ ADVERTENCIA ⚠️

Riesgo de electrocución. No introduzca ni permita que ingresen objetos en las aberturas de la ventilación o escape, ya que ello puede causar electrocución o incendio, o bien dañar el calentador.

## 8. ⚠️ ADVERTENCIA

Riesgo de incendio. Para evitar posibles incendios, no bloquee las tomas de aire ni el escape de manera alguna.

## 9. ⚠️ ADVERTENCIA

Podrían producirse explosiones o incendios. Todo calentador contiene piezas que se calientan y pueden producir arcos voltaicos o chispas. No lo use en áreas donde se utilice o almacene gasolina, pintura o vapores o líquidos inflamables.

10. Use este calentador sólo como se describe en este manual. Todo otro uso no recomendado por el fabricante puede causar incendios, descargas eléctricas o lesiones personales.

11. El calentador debe instalarse correctamente antes de usarlo.

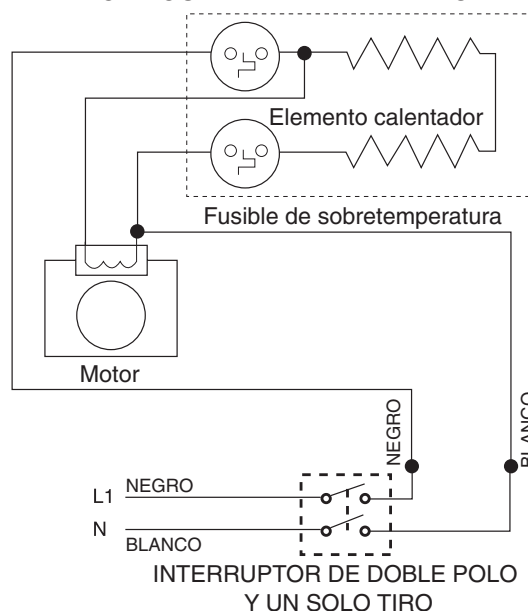
## 12. ⚠️ ADVERTENCIA ⚠️

Riesgo de electrocución e incendio. No lo opere sin la rejilla.

13. Conserve estas instrucciones.

## Diagramas de cableado

### REGLAJE MANUAL LIMITADOR ELÉCTRICO DE ALTA TEMPERATURA



## CONSERVE ESTAS INSTRUCCIONES



# INSTRUCCIONES PARA LA INSTALACIÓN

## 1. ⚠️ ADVERTENCIA

Verifique que todos los cables de suministro eléctrico sean del mismo voltaje que el calentador.

2. Si va a reemplazar un calentador existente, revise la etiqueta del calentador antiguo.

3. Todo trabajo y materiales eléctricos deben cumplir con el Código Eléctrico Nacional ("NEC", por su sigla en inglés), con la Ley de Seguridad y Salud Ocupacional ("OSHA", por su sigla en inglés) y con todos los códigos estatales y locales.

4. Si se debe instalar un nuevo circuito o se necesita información adicional sobre el cableado, consulte a un electricista calificado.

5. Use conductores de cobre solamente.

## 6. ⚠️ ADVERTENCIA ⚠️

Riesgo de electrocución. NO instale el calentador directamente sobre la tina o lavamanos. NO lo instale en la zona de la ducha (el fabricante recomienda un espacio mínimo de 2 pies).

7. El calentador debe instalarse en una cámara de pared:

Modelo RBF      Cámara de Pared RBFC

## 8. ⚠️ ADVERTENCIA

Riesgo de incendio. NO instale el calentador en el piso, en el cielo raso, bajo la barra de la toalla, detrás de una puerta ni en ningún otro lugar en el que la descarga de aire se pueda bloquear de alguna manera.

## 9. ⚠️ ADVERTENCIA

Podrían producirse explosiones o incendios. Todo calentador contiene piezas que se calientan y pueden producir arcos voltaicos o chispas. No lo use en áreas donde se utilice o almacene gasolina, pintura o vapores o líquidos inflamables.

## 10. ⚠️ ADVERTENCIA ⚠️

Riesgo de electrocución. Conecte el conductor a tierra al tornillo de puesta a tierra suministrado. Evite que entren objetos extraños al calentador.

## 11. ⚠️ ADVERTENCIA

Riesgo de incendio. Este calentador se calienta mucho cuando está en uso. Precaución – Alta temperatura. Riesgo de incendio. Mantenga los cables eléctricos, cortinas, muebles, y demás materiales combustibles a por lo menos 3 pies por delante y a 6 pulgadas por encima y por ambos costados del calentador.

## Parte Uno

UBICACIÓN: Aprobado por UL sólo para instalación vertical.

CONTROL: Control de ENCENDIDO/APAGADO incorporado en el producto.

### ¿Cómo se instala el calentador en paredes de construcciones nuevas?

#### PASO 1 Montaje de la cámara de pared

La distancia MÍNIMA REQUERIDA es de 6 pulgadas desde las superficies adyacentes y 4-1/2 pulgadas desde el piso (vea la figura 3). Sin embargo, Cadet RECOMIENDA 12 pulgadas desde las superficies adyacentes y el piso para lograr un rendimiento más prolongado y limpio. Si se instalan varios calentadores, deje al menos tres pies entre ellos.

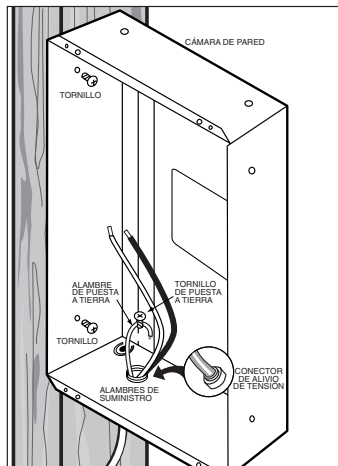
Nota: El borde delantero de la cámara de pared debe quedar alineado con la pared acabada. Si ha de instalar el producto en una pared no terminada, la superficie de dicha pared debe extenderse desde la cara del puntal a fin de dejar espacio para la lámina de yeso (vea la figura 1). Fije la cámara de pared al puntal con 2 tornillos (no se incluyen) mediante los orificios que vienen en la cámara.

Figura 1



La cara de la cámara de pared debe sobresalir entre 1/2 y 5/8 de pulgada de la cara del puntal a fin de dejar espacio para la lámina de yeso.

Figura 2



#### PASO 2 Instalación de los cables de suministro

Tienda el cable de suministro desde el cortacircuito a través de la abertura hasta la base de la cámara de pared, y afíncelo con un conector con alivio de tensión, dejando 6 a 10 pulgadas de cable de conexión para uso posterior. Conecte el cable de suministro a tierra al tornillo de puesta a tierra situado en la cámara de pared (vea la figura 2).

Continúe con la PARTE DOS.

### ¿Cómo se instala el calentador en una pared existente?

#### PASO 1 Corte un orificio en la pared

La distancia MÍNIMA REQUERIDA es de 6 pulgadas desde las superficies adyacentes y 4-1/2 pulgadas desde el piso (vea la figura 3). Sin embargo, Cadet RECOMIENDA 12 pulgadas desde las superficies adyacentes y el piso para lograr un rendimiento más prolongado y limpio. Si se instalan varios calentadores, deje al menos tres pies entre ellos.

Corte un orificio de 10 3/4 pulgadas de ancho por 16 3/4 de alto al lado del puntal de la pared.

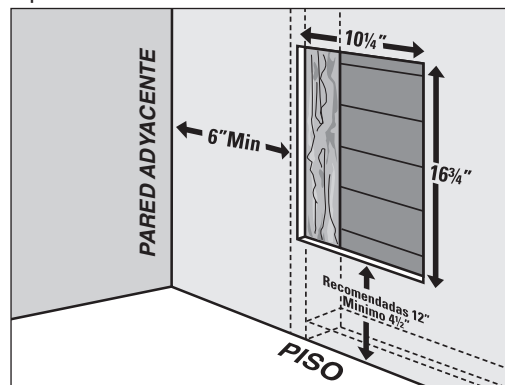


Figura 3

#### PASO 2 Instalación de los cables de suministro

Tienda el cable de suministro desde el cortacircuito a través de la abertura hasta la base de la cámara de pared, y afíncelo con un conector con alivio de tensión, dejando 6 a 10 pulgadas de cable de conexión para uso posterior. Conecte el cable de suministro a tierra al tornillo de puesta a tierra situado en la cámara de pared (vea la figura 2).

#### PASO 3 Montaje de la cámara de pared

Coloque la cámara de pared en la abertura. Nota: El borde delantero de la cámara de pared debe quedar alineado con la pared acabada (vea la figura 1). Fije la cámara de pared al puntal con 2 tornillos (no se incluyen) mediante los orificios que vienen en la cámara.

Continúe con la PARTE DOS.

# INSTRUCCIONES PARA LA INSTALACIÓN (continuación)

## Calce del RBF101 como reemplazo para los calentadores RB

### PASO 1 Retire el calentador actual

A. ¡ADVERTENCIA! Antes de quitar la rejilla, desconecte la electricidad en el tablero del panel eléctrico (cortacircuito o caja de fusibles). Trabe o coloque un cartel en la puerta del tablero del panel para evitar que alguien conecte accidentalmente la energía mientras se esté trabajando en el calentador. De lo contrario podrían producirse graves golpes eléctricos, quemaduras e incluso la muerte.

B. Antes de proceder, es importante que usted verifique que se haya desconectado la alimentación y que el calentador no reciba energía. Los cortacircuitos no suelen estar correctamente marcados, y apagar el incorrecto podría significar que sigue fluyendo electricidad al calentador, aun cuando éste parezca no estar funcionando. Si no se siente cómodo al trabajar con artefactos eléctricos, no está en condiciones de acatar estas pautas o no cuenta con los equipos necesarios, solicite los servicios de un técnico electricista calificado.

C. Una vez que verifique que se ha apagado la alimentación correctamente, prosiga con el paso siguiente.

D. Retire los tornillos y extraiga la rejilla.

E. Separe las conexiones de los alambres de suministro y de los alambres conductores.

Continúe con la PARTE DOS.

## Parte Dos

Una vez que ha seguido todas las instrucciones en la PARTE UNO, o REACONDICIONAMIENTO, ya está preparado para instalar el conjunto del calentador.

### ¿Cómo se coloca la unidad del calentador en la cámara de pared?

#### PASO 1 Instale el conjunto del calentador en la cámara de pared

Instale las presillas a resorte en el borde de la cámara de pared, dos en la parte superior y dos en la inferior (vea la figura 4). Ponga el conjunto del calentador sobre su superficie delantera, coloque el interruptor basculante que se ha de instalar en la parte inferior de la cámara de pared (vea la figura 5). Haga la conexión de los alambres de suministro a los alambres conductores provenientes del interruptor basculante. Coloque el conjunto del calentador en la superficie de la cámara de pared (vea la figura 4). Importante: Presione los cables hasta el fondo de la cámara de pared durante la inserción. Cerciórese de que los cables no queden atrapados entre el motor y la cámara de pared. Fije el conjunto usando los cuatro tornillos maquinados No. 10 32 x ½ pulg.; dos en la parte superior, y dos en la inferior.

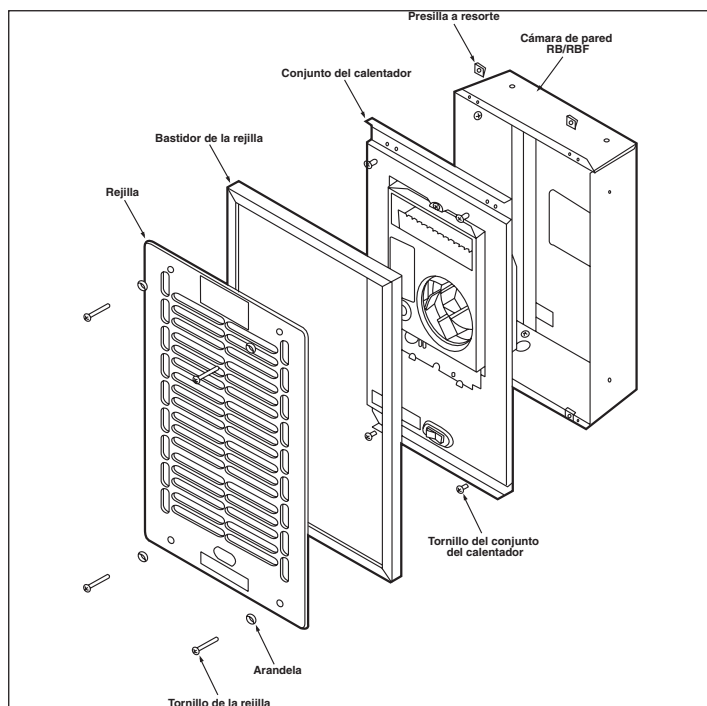


Figura 4

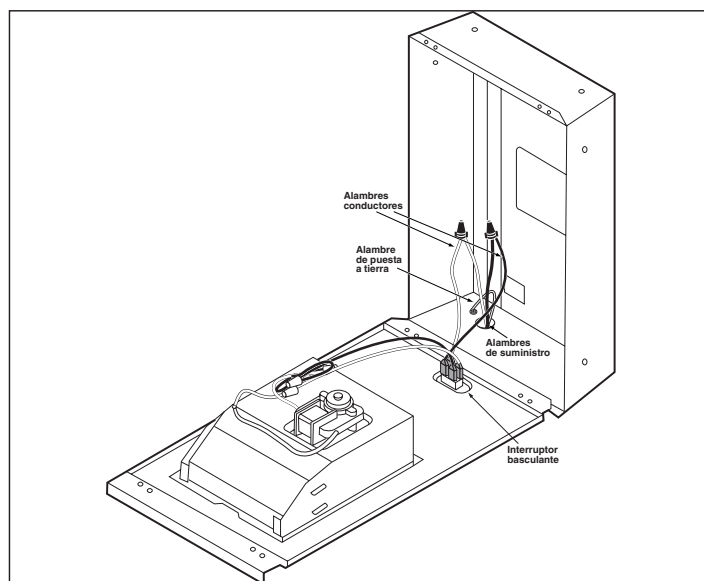


Figura 5

#### PASO 2 Instale la rejilla y su bastidor

Retire la película protectora de la rejilla antes de instalarla. Coloque el bastidor de la rejilla fuera de las bridas de arriba y abajo del conjunto del calentador. Coloque la rejilla sobre el bastidor y fíjela con las cuatro arandelas protectoras y los cuatro tornillos Phillips No. 10 x 1½ pulg. de cabeza ovalada para láminas metálicas (vea la figura 4). Instale los cuatro tornillos antes de apretarlos. (Nota: Si aprieta en exceso los tornillos puede dañar la rejilla.)

# OPERACIÓN DEL CALENTADOR

**⚠ ADVERTENCIA** Riesgo de electrocución e incendio.

El calentador debe instalarse correctamente antes de usarlo.

1. No lo opere sin la rejilla.
2. Mantenga los cables eléctricos, cortinas, muebles, y demás materiales combustibles a por lo menos 3 pies por delante y a 6 pulgadas de los costados del calentador.
3. No manipule el control limitador de sobretemperatura.
4. Si los limitadores de sobretemperatura se disyuntan más de una vez al día, se debe reemplazar el calentador.

## Cómo hacer funcionar el calentador

Una vez que se haya realizado la instalación y restablecido la energía eléctrica, encienda el interruptor del calentador.

**Importante:** El calentador permanecerá encendido hasta que se apague manualmente.

5. Limpie el calentador por lo menos cada seis meses.

6. Después de dejar que el calentador se enfríe, desconecte la electricidad en el panel de cortacircuitos antes de retirar la rejilla.

7. Use una secadora o aspiradora en el ciclo de soplado para quitar la suciedad en el elemento superior (sin tocarlo).

8. Instale la rejilla antes de conectar la energía.

**⚠ ADVERTENCIA:** Toda otra labor no detallada en esta Guía para el propietario la debe efectuar un representante de servicio autorizado.

## Acerca de los controles limitadores de la temperatura del calentador

El calentador está protegido por dos controles limitadores de temperatura. Ambos controles son parte integral del conjunto del elemento. El primero es un control limitador de reglaje eléctrico manual, diseñado para abrir el circuito del calentador cuando se detectan temperaturas de funcionamiento excesivas. El problema debe evaluarse y el límite debe reestablecerse para que el calentador vuelva a funcionar.

Se brinda protección adicional mediante un fusible secundario de sobretemperatura, el cual abrirá el circuito del calentador en condiciones graves de sobretemperatura, o bien en caso de falla de algún componente. Si ello ocurre, el calentador se debe reparar o reemplazar.

## Cómo restablecer el control de límite de reglaje eléctrico manual

Si el control limitador de reglaje eléctrico manual ha abierto el circuito del calentador debido a temperaturas de funcionamiento excesivas, el calentador no funcionará sino hasta que se haya restablecido. Esto se puede realizar en el control de interruptor basculante ON/OFF o en el cortacircuito que regula el calentador.

### Para restablecer el calentador en el control de interruptor basculante ON/OFF

1. Ponga el control de interruptor basculante en la posición OFF.
2. Deje que la unidad se enfríe durante al menos 20 minutos.
3. Resuelva el problema que causa la disyunción del limitador (generalmente el calentador está bloqueado o necesita limpieza, consulte las instrucciones de mantenimiento).
4. Ponga el control de interruptor basculante en la posición ON. El calentador debiera encenderse. Si no vuelve a encenderse, restablezca el calentador en el cortacircuito, usando las instrucciones de la derecha. Se requiere esperar un período adicional de 20 minutos cada vez que se apaga la alimentación. Restaurar la alimentación, incluso brevemente, calentará el interruptor de límite aunque el calentador no se encienda.
5. El calentador ahora funciona correctamente.

Tenga en cuenta que restablecer el control de reglaje eléctrico manual puede no ser suficiente para restaurar la operación del calentador en caso de que se haya producido una situación de sobretemperatura grave. Consulte la Guía de resolución de problemas en la próxima página para obtener más información al respecto.

### Para reestablecer el calentador en el cortacircuito (se recomienda si la temperatura ambiente es inferior a 45°)

1. Coloque el cortacircuito en la posición de apagado.
2. Deje que la unidad se enfríe durante al menos 20 minutos.
3. Resuelva el problema que causa la disyunción del limitador (generalmente el calentador está bloqueado o necesita limpieza, consulte las instrucciones de mantenimiento).
4. Reestablezca la alimentación colocando el cortacircuito en la posición de encendido.
5. Ponga el control de interruptor basculante en la posición ON. El calentador debiera encenderse. Se requiere esperar un período adicional de 20 minutos cada vez que se apaga la alimentación. Restaurar la alimentación, incluso brevemente, calentará el interruptor de límite aunque el calentador no se encienda.
6. El calentador ahora funciona correctamente.

## Garantía

Para lograr una operación más eficaz y segura y prolongar la vida útil del calentador, lea la Guía del propietario y siga las instrucciones de mantenimiento. Si no le da el mantenimiento adecuado al calentador invalidará la garantía y puede hacer que el aparato funcione incorrectamente. Las garantías no son transferibles y rigen sólo para el comprador original. Los términos de la garantía se indican a continuación.

**GARANTÍA LIMITADA DE DOS AÑOS:** Cadet reparará o reemplazará todo calentador RBF que se determine esté averiado en un plazo de dos años a partir de la fecha de compra.

### Estas garantías no son pertinentes para:

1. Daños que sufra el producto por instalación o voltaje de suministro incorrectos;
2. Daños que sufra el producto por mantenimiento incorrecto, uso indebido, abuso, accidente o alteraciones;
3. Servicio que se le haya dado al producto por parte de personas o entidades ajenas a Cadet.
4. Casos en que no se pueda determinar la fecha de fabricación del producto;
5. Casos en que el producto resulte dañado durante el embarque por causas ajenas a Cadet.
6. LA GARANTÍA DE CADET SE LIMITA A LA REPARACIÓN O REEMPLAZO, TAL COMO SE ESTABLECE EN ESTE DOCUMENTO. CADET NO SE HARÁ RESPONSABLE POR DAÑOS A LA PROPIEDAD O DAÑOS CONSECUENTES, COMO TAMPOCO POR GASTOS ACCIDENTALES DEBIDO AL INCUMPLIMIENTO DE ESTAS GARANTÍAS ESCRITAS O DE CUALQUIER GARANTÍA EXPRESA O IMPLÍCITA.

7. EN CASO DE QUE CADET DECIDA REEMPLAZAR ALGUNA PIEZA DEL PRODUCTO CADET, LOS REPUESTOS SE REGIRÁN POR LAS MISMAS GARANTÍAS DEL PRODUCTO. LA INSTALACIÓN O REEMPLAZO DE LOS REPUESTOS NO MODIFICA NI PROLONGA LAS GARANTÍAS VIGENTES. EL REEMPLAZO O REPARACIÓN DE TODO PRODUCTO O PIEZA CADET NO ORIGINA NINGÚN TIPO DE NUEVA GARANTÍA.

8. Estas garantías le otorgan derechos legales específicos y es posible que usted tenga otros derechos que varíen de un estado a otro. Cadet no asume ni autoriza a nadie que lo haga en su nombre, ninguna otra obligación o responsabilidad en relación con sus productos que no sean las que se establecen en este documento.

Si durante el período de garantía usted considera que su producto Cadet presenta defectos, comuníquese con Cadet Manufacturing Co. llamando al 360-693-2505 para obtener instrucciones sobre cómo tramitar la reparación o el reemplazo del producto. Los reclamos de garantía presentados después de la finalización del período no serán acogidos. Los productos que se devuelvan sin autorización serán rechazados.

### Repuestos y servicio

En [http://www.cadetheat.com/parts\\_service.php](http://www.cadetheat.com/parts_service.php) encontrará información sobre dónde obtener repuestos y servicio.

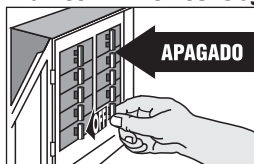
### Reduzca-reutilice-recicle

Este producto está hecho principalmente de materiales reciclables. Puede reducir la cantidad de carbono que contribuye al medio ambiente reciclando este producto al término de su vida útil. Comuníquese con su centro local de reciclaje para obtener mayores instrucciones al respecto.



# MANTENIMIENTO DEL CALENTADOR

**Mantenimiento** Según sea necesario, o cada seis meses como mínimo.



**⚠ ¡ADVERTENCIA!** Desconecte la electricidad en el tablero del panel eléctrico (caja de cortacircuitos o fusibles) y trabe o coloque un cartel en la puerta del tablero del panel para evitar que alguien vuelva a conectar la energía mientras se esté trabajando en el calentador. De lo contrario podrían producirse graves golpes eléctricos, quemaduras e incluso la muerte.

**⚠ ADVERTENCIA:** Toda otra labor no detallada en esta Guía para el propietario la debe efectuar un representante de servicio autorizado.

1. Antes de proceder, es importante que usted verifique que se haya desconectado la alimentación y que el calentador no reciba energía. Los cortacircuitos no suelen estar correctamente marcados, y apagar el incorrecto podría significar que sigue fluyendo electricidad al calentador, aun cuando éste parezca no estar funcionando. Si no se siente cómodo al trabajar con artefactos eléctricos, no está en condiciones de acatar estas pautas o no cuenta con los equipos necesarios, solicite los servicios de un técnico electricista calificado.

2. Una vez que verifique que se ha apagado la alimentación correctamente, prosiga con el paso siguiente.

3. Retire los tornillos, las arandelas, la rejilla y su marco.

4. Lave la rejilla con agua caliente y jabón, y séquela de inmediato.

5. Mientras sujeta el ventilador (para evitar que se dañe o tuerza), utilice una secadora o una aspiradora en el ciclo de soplado para quitar la suciedad en el elemento superior (sin tocarlo).

6. Aspire el área del ventilador sin tocar los elementos.

7. No lubrique el motor.

8. Vuelva a poner la rejilla, su marco, las arandelas y los tornillos.

9. Vuelva a conectar la alimentación en el tablero del panel eléctrico.

## Tabla de resolución de problemas

**\*CONSULTE LOS CÓDIGOS ELÉCTRICOS LOCALES PARA DETERMINAR QUÉ TRABAJOS DEBEN SER REALIZADOS POR PERSONAL DE SERVICIO ELÉCTRICO CALIFICADO.**

Síntoma	Problema	Solución
El interruptor se disyunta inmediatamente al encenderse el calentador.	<ol style="list-style-type: none"> <li>1. Voltaje de suministro incorrecto.*</li> <li>2. Circuito sobrecargado.*</li> <li>3. Hay un cortocircuito en los cables de suministro o del calentador.*</li> <li>4. Cortacircuito defectuoso.*</li> </ol>	<ol style="list-style-type: none"> <li>1. Compruebe que el voltaje de suministro coincida con la calificación del calentador.</li> <li>2. El amperaje total de todos los calentadores en un circuito de rama no debe sobrepasar el 80% de la calificación de amperaje del cortacircuito y de las calificaciones de los cables de suministro. Utilice un calentador de vatíaje inferior o reduzca la cantidad de calentadores en el circuito.</li> <li>3. Los cables de suministro o del calentador que presentan cortocircuitos pueden ocasionar chispas peligrosas. Revise el aislamiento de todos los cables de suministro y del calentador para comprobar que no estén dañados. No reestablezca el cortacircuito sino hasta que se hayan reparado todos los cortocircuitos eléctricos.</li> <li>4. Reemplace el cortacircuito.</li> </ol>
El ventilador del calentador funciona pero no envía aire caliente.	<ol style="list-style-type: none"> <li>1. Temperatura insuficiente del elemento.</li> <li>2. Voltaje de suministro incorrecto.*</li> <li>3. El elemento ha fallado.*</li> </ol>	<ol style="list-style-type: none"> <li>1. Espere unos momentos para que el elemento alcance la temperatura de funcionamiento.</li> <li>2. Compruebe que el voltaje de suministro coincida con la calificación del calentador.</li> <li>3. Reemplace el elemento.</li> </ol>
El calentador emite humo o un olor a quemado.	<ol style="list-style-type: none"> <li>1. Se han acumulado polvo, pelusas u otros materiales dentro del calentador.</li> <li>2. Conexiones eléctricas deficientes o sueltas.</li> </ol>	<ol style="list-style-type: none"> <li>1. Limpie el calentador (consulte las instrucciones en la sección "Mantenimiento del Calentador").</li> <li>2. Desconecte la energía en el cortacircuito. Inspeccione todas las conexiones de alambres del suministro y del calentador para cerciorarse de que no haya nada suelto ni mal conectado. Afiance o reconecte todas las conexiones sueltas. No restablezca el cortacircuito sino hasta haber revisado y reparado todas las conexiones.</li> </ol>
El elemento calienta por un momento sin que gire el ventilador y luego deja de calentar.	<ol style="list-style-type: none"> <li>1. Motor o conexión interna defectuosos.*</li> <li>2. Ventilador o motor trabado.</li> </ol>	<ol style="list-style-type: none"> <li>1. Debe reemplazarse el calentador o el motor del ventilador.</li> <li>2. Retire la obstrucción y siga las instrucciones en la sección "Operación del Calentador" para restablecer el control limitador de reglaje eléctrico manual. Pruebe el funcionamiento del calentador. Si no funciona, repárelo o reemplácelo.</li> </ol>
El calentador no funciona.	<ol style="list-style-type: none"> <li>1. El calentador ha disyuntado el control eléctrico de alta temperatura.</li> <li>2. El calentador ha disyuntado el fusible secundario de sobretemperatura.</li> <li>3. La energía no está conectada en el cortacircuito.</li> <li>4. El o los cables que van al calentador están rotos o mal conectados.</li> <li>5. Control de interruptor basculante averiado.</li> </ol>	<ol style="list-style-type: none"> <li>1. Siga las instrucciones en la sección "Mantenimiento del Calentador" para restablecer el control limitador de reglaje eléctrico manual.</li> <li>2. Se ha producido una situación de sobretemperatura grave. Repare o reemplace el calentador.</li> <li>3. Conecte el cortacircuito correcto en el panel principal.</li> <li>4. Desconecte la energía en el cortacircuito. Revise la continuidad del cable de suministro y la conexión apropiada a los cables del calentador.</li> <li>5. Se debe revisar la continuidad de todo el calentador, o bien de sus componentes a fin de determinar la causa de cualquier problema. Repare o reemplace el calentador o control de interruptor basculante.</li> </ol>