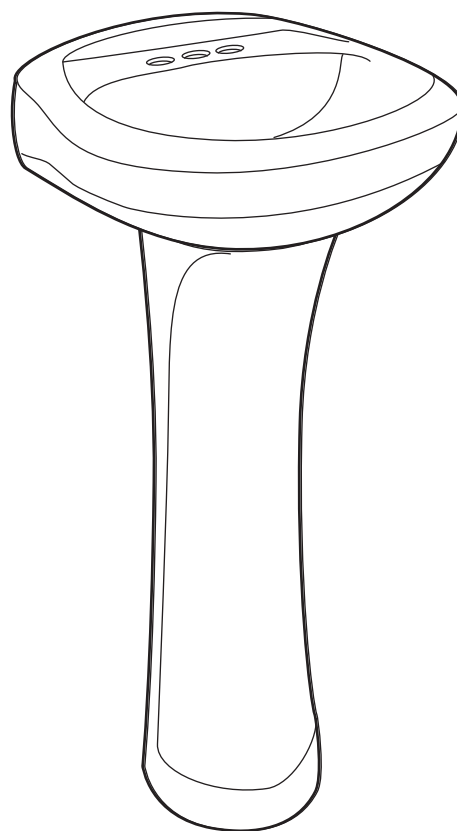
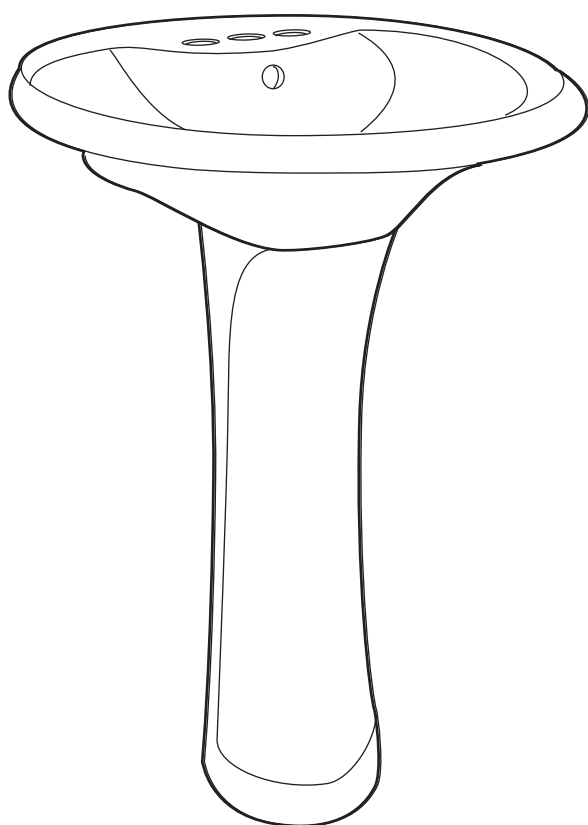




Item #779-190 Model #F-300-4W
222-820 F-300-4BI
333-025 F-500-4W
592-680 L-300-WN
222-593 L-300-BI

USE AND CARE GUIDE

SHELBURNE / PETITE ARAGON PEDESTAL SINK



Questions, problems, missing parts? Before returning to the store,
call Glacier Bay Customer Service
8 a.m. - 6 p.m., EST, Monday-Friday

1-855-434-5224

HOMEDEPOT.COM


THANK YOU

We appreciate the trust and confidence you have placed in Glacier Bay through the purchase of this pedestal sink. We strive to continually create quality products designed to enhance your home. Visit us online to see our full line of products available for your home improvement needs. Thank you for choosing Glacier Bay!

Table of Contents

Table of Contents.....	2	Installation	4
Safety Information.....	2	Care and Cleaning	6
Warranty.....	2		
Pre-Installation	2		
Planning Installation	2		
Tools Required	3		
Hardware Included.....	3		
Package Contents	3		

Safety Information

 **WARNING:** Handle with care. Vitreous chinaware is glass-like with sharp edges if broken. Do not drop, handle roughly, or over-tighten bolts.

NOTICE: Observe local plumbing and building codes.

Warranty

LIMITED LIFETIME WARRANTY

Glacier Bay products are manufactured with superior quality standards and workmanship and are backed by our limited lifetime warranty. Glacier Bay products are warranted to the original consumer purchaser to be free of defects in materials or workmanship. We will replace **FREE OF CHARGE** any product or parts that proves defective. Simply, return the product / part to any of The Home Depot retail locations or call 1-855-HD Glacier (1-855-434-5224) to receive the replacement item. Proof of purchase (original sales receipt) from the original consumer purchaser must be made available for all Glacier Bay warranty claims.

This warranty excludes incidental/inconsequential damages and failures due to misuse, abuse or normal wear and tear. This warranty excludes all industrial, commercial & business usage, whose purchasers are hereby, extended a five year limited warranty from the date of purchase, with all other terms of this warranty applying except the duration of warranty.


Some states and provinces do not allow the exclusion or limitation of incidental or consequential damages, so the above limitations may not apply to you. This warranty gives you specific legal rights and you may also have other rights that vary from state to state and province to province. Please see a store or contact 1-855-HD Glacier for more details.

Pre-Installation

PLANNING INSTALLATION

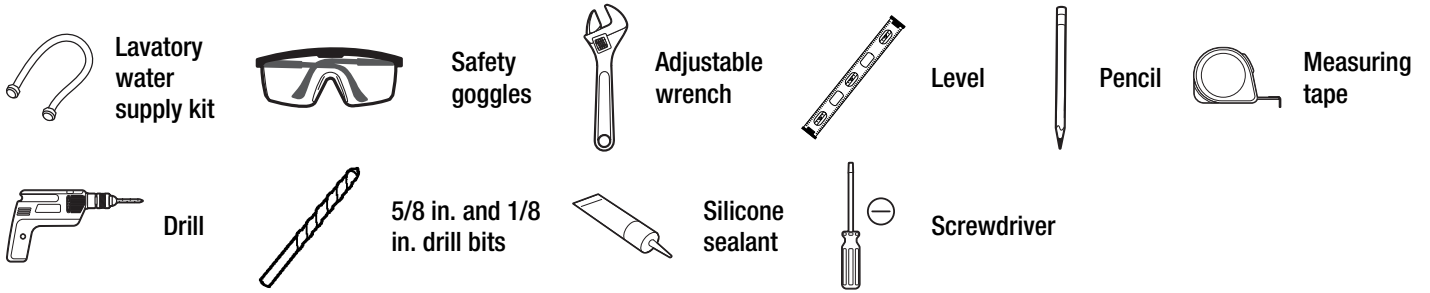
Before beginning installation of this product, ensure all parts are present. Compare parts with the Hardware Included and Package Contents sections of this manual. If any part is missing or damaged, do not attempt to assemble, install, or operate the product. Contact customer service for replacement parts.

Estimated Assembly Time: 60 minutes


 **NOTE:** The water supply should be off and water should be completely drained from the main location water valve or faucet before beginning installation.

Pre-Installation (continued)

TOOLS REQUIRED



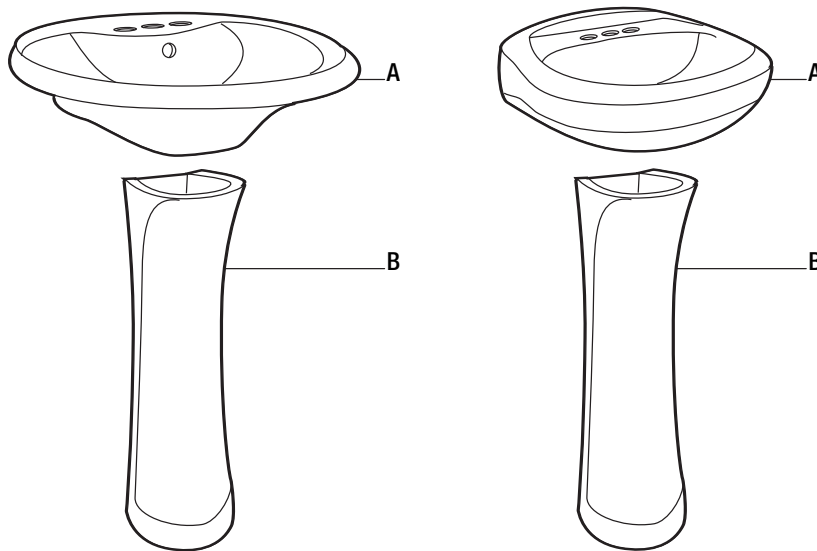
HARDWARE INCLUDED

 **NOTE:** Hardware not shown to actual size.



Part	Description	Quantity
AA	Toggle bolt	2
BB	Rubber washer	2
CC	Steel washer	2
DD	Hex nut	2
EE	Lag screw	2

PACKAGE CONTENTS

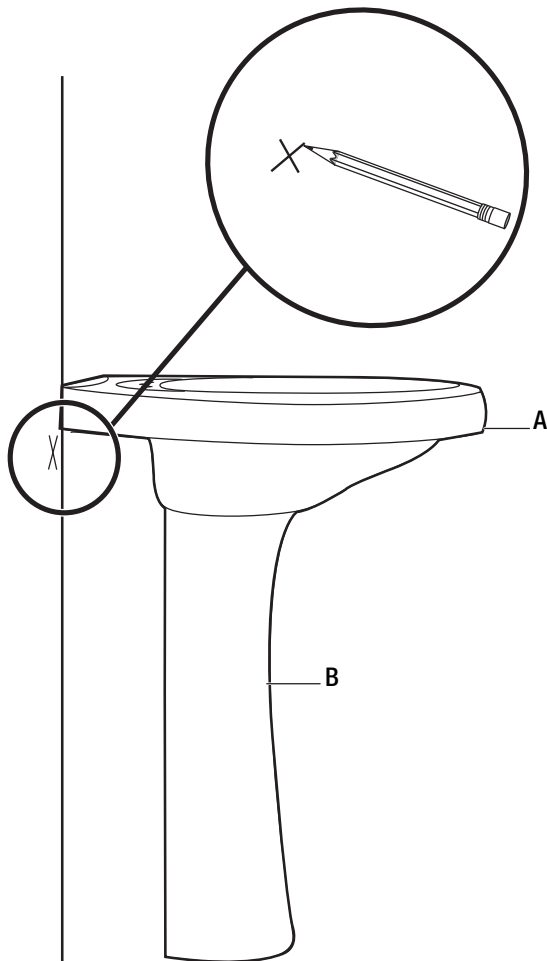


Part	Description	Quantity
A	Basin	1
B	Pedestal leg	1

Installation

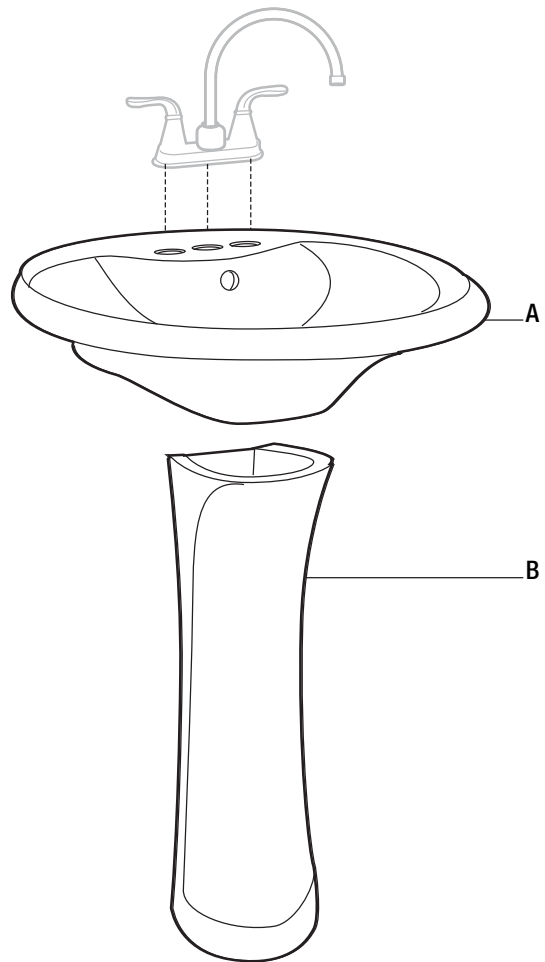
1 Marking the installation location

- Locate the proper position for the pedestal sink. Make sure that you have access to all plumbing and drain fittings, door clearance, and any other obstructions.
- Place the pedestal basin (A) on the pedestal leg (B) and move into the desired position against the wall. Make sure that the pedestal basin (A) is leveled on the pedestal leg (B). With a pencil, mark the location of the pedestal basin (A) support holes on the wall.
- On the marked location on the wall, drill holes with a 5/8 in. drill bit if the pedestal will not be attached onto a stud. If the pedestal will be mounted onto a stud, then drill holes with a 1/8 in. drill bit.



2 Installing the faucet and pop-up assembly

- Carefully remove the pedestal basin (A) from the pedestal leg (B) and install the faucet and pop-up assembly (not included) onto the pedestal basin (A).



Installation (continued)

3 Wall installation (option 1)

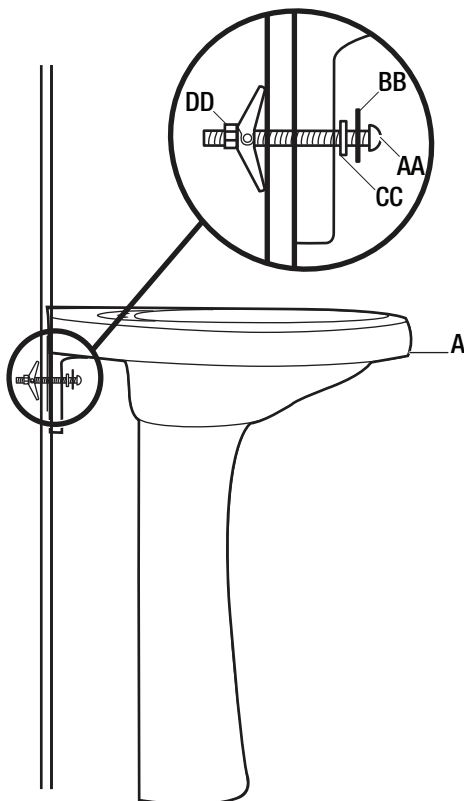
- If installing directly onto the wall without a stud, use the toggle bolts (AA).
- Insert the toggle bolt (AA) with rubber washer (BB) and steel washer (CC) loosely into the backside mounting holes of the basin (A). Screw the wing nut and nut (DD) back onto the toggle bolt (AA) in the order as shown.
- Place the pedestal basin (A) onto the pedestal leg (B). Place the complete unit into the desired position on the wall at the same time pushing the toggle bolts (AA) through the pre-drilled holes on the wall.
- With the screwdriver, tighten the toggle bolts (AA) until the pedestal basin (A) is snug against the wall.



CAUTION: Do not over tighten the toggle bolts (AA) as this could break the porcelain.



NOTE: The pedestal leg (B) should be supporting the pedestal basin (A), since mounting lips are not designed to hold the weight of the pedestal top.



4 Wall installation (option 2)

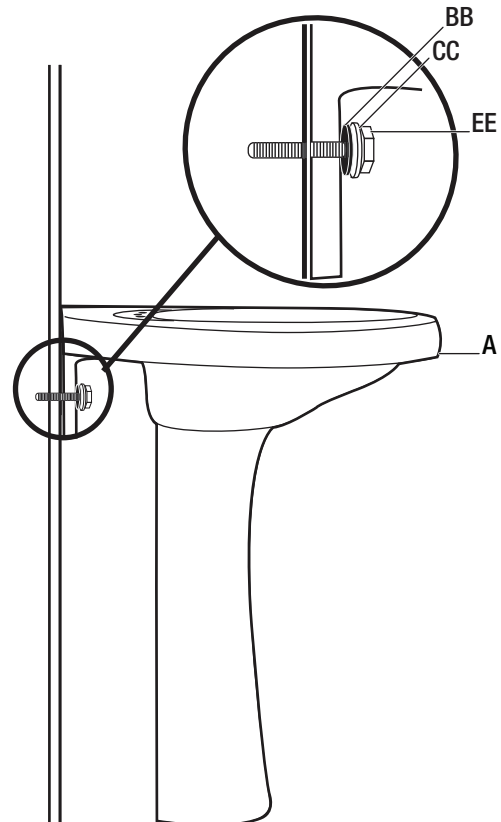
- If installing directly onto a stud, use the lag screws (EE).
- Place the pedestal basin (A) on the pedestal leg (B).
- Place the complete unit in the desired position on the wall.
- Place a steel washer (CC) and rubber washer (BB) onto each of the lag screws (EE) and at the same time fasten the pedestal basin (A) directly onto the stud by screwing the lag screws (EE) into the stud.
- Tighten the lag screws (EE) until the pedestal basin (A) is snug against the wall.



CAUTION: Do not over tighten the lag screws (EE) as this could break porcelain.



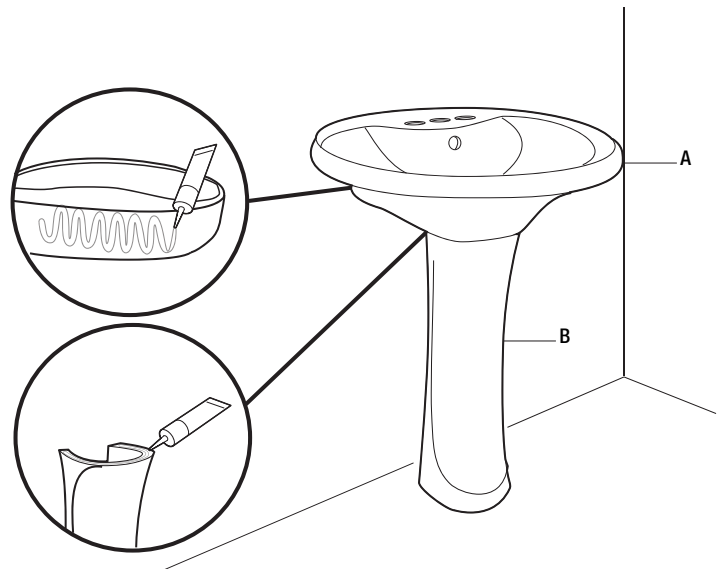
NOTE: The pedestal leg (B) should be supporting the pedestal basin (A), since mounting lips are not designed to hold the weight of the pedestal top.



Installation (continued)

5 Sealing the pedestal basin and leg

- Apply a neat bead of bathroom silicone or caulking between the pedestal basin (A) and the wall and where the pedestal basin (A) connects onto the pedestal leg (B).
- Complete any final plumbing connections such as a lavatory supply kit (not included).



Care and Cleaning



NOTE: Improper care may cause the warranty to become invalid.

- Wipe the outside of the pedestal with a non-abrasive cleaner and a soft towel. Make sure that the complete surface is cleaned and dried.
- Your new pedestal sink is made of stain-, acid- and abrasion-resistant vitreous china. Clean the outside surface with mild soap, warm water, and a soft cloth. On stubborn stains use a powdered detergent and damp sponge or nylon scouring pad. Never use abrasive scouring powders, cleansers, or pads because they will scratch, damage, and dull the surface.



Questions, problems, missing parts? Before returning to the store,
call Glacier Bay Customer Service
8 a.m. - 6 p.m., EST, Monday-Friday

1-855-434-5224

HOMEDEPOT.COM

Retain this manual for future use.