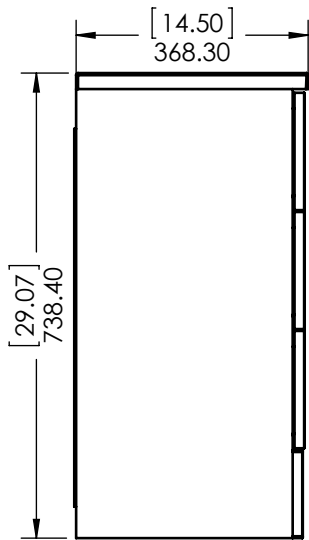
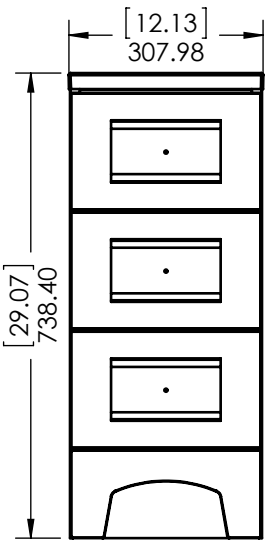


ITEM ID	DESCRIPTION
DR12P2-PG	Delridge 12.13in W x 14.50in D x 29.07in H Vanity in Flagstone with Solid White Vanity Top

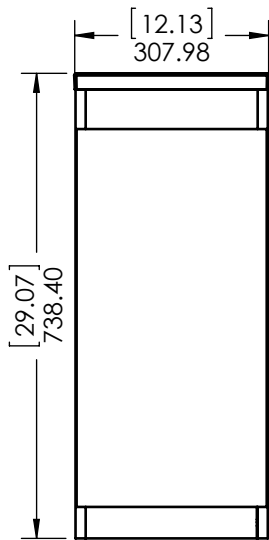
REV	ECO#	DESCRIPTION	REV'D BY DATE	CHK'D BY DATE	APRV'D BY DATE
0		New Release	RR 04/23/19	RR 04/23/19	RR 04/23/19



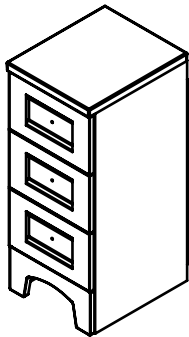
SIDE VIEW



FRONT VIEW



BACK VIEW



ISOMETRIC VIEW



PROPRIETARY AND CONFIDENTIAL
 THE INFORMATION CONTAINED IN THIS DRAWING IS THE SOLE PROPERTY OF WOODCRAFTERS HOME PRODUCTS L.L.C. ANY REPRODUCTION IN PART OR AS A WHOLE WITHOUT THE WRITTEN PERMISSION OF WOODCRAFTERS HOME PRODUCTS L.L.C. IS PROHIBITED.

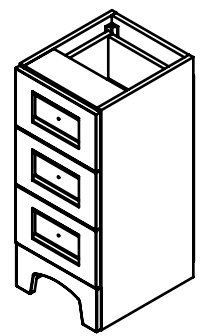
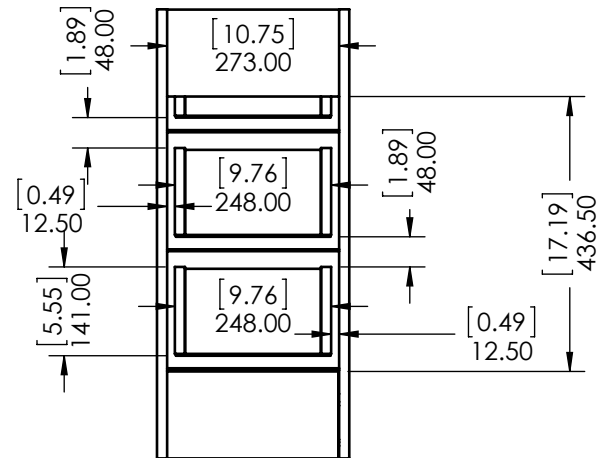
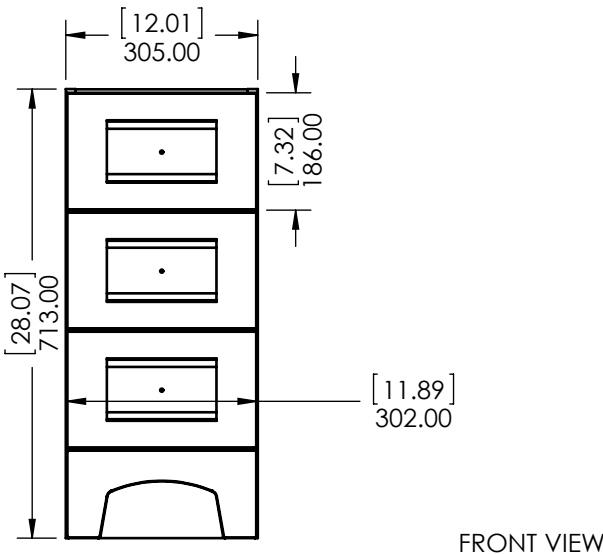
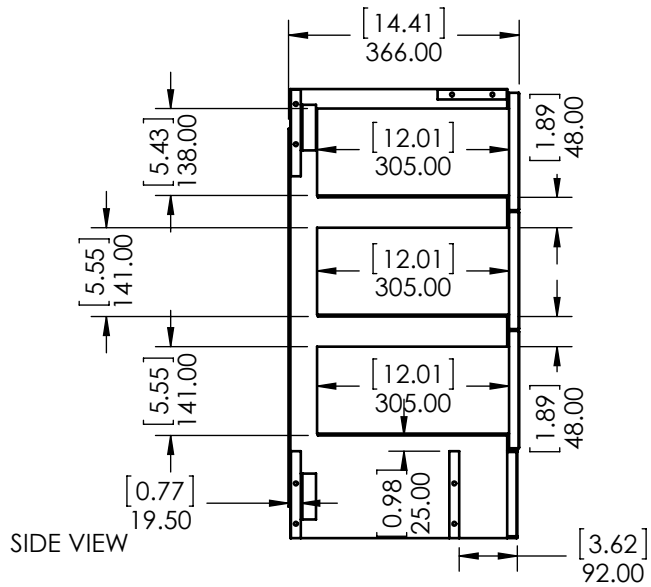
UNLESS OTHERWISE SPECIFIED
 DIMENSIONS ARE IN mm and [inches] AND TOLERANCES ARE +/- 1.0 [0.04]

DRAWN BY:	RR	4/23/19
CHECKED BY:	RR	4/23/19
APPROVED BY:	RR	4/23/19
DO NOT SCALE DRAWING	SCALE: 1:12	SIZE: A

TITLE:	Delridge 12in W x 14.41in D x 28.07in H		
PART NO:	PAGE	1 OF 1	REV: 0

ITEM ID	DESCRIPTION
DR12P2-PG	Delridge 12.13in W x 14.50in D x 29.07in H Vanity in Flagstone with Solid White Vanity Top

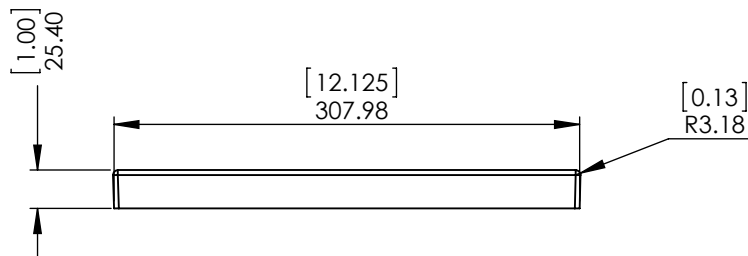
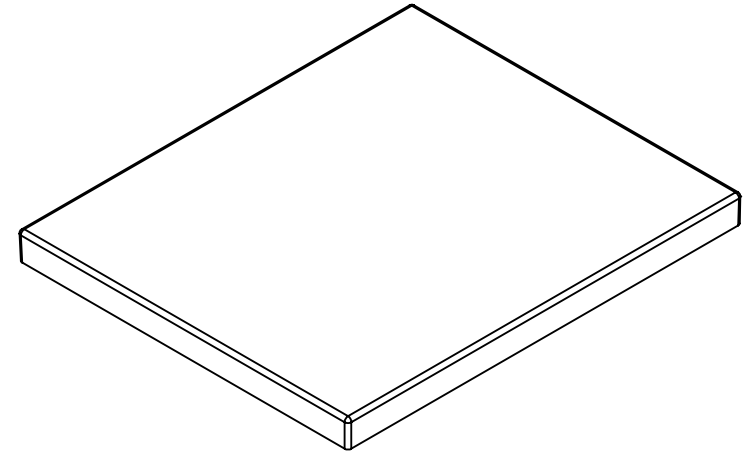
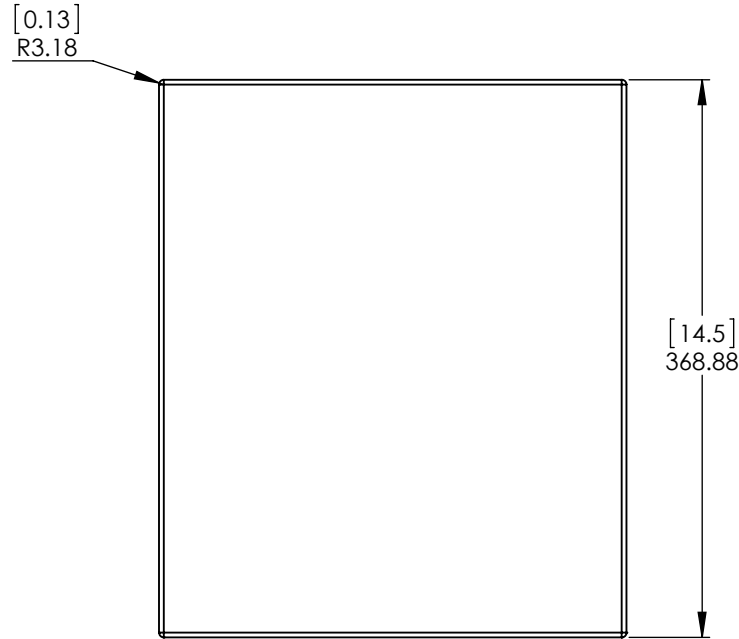
REV	ECO#	DESCRIPTION	REV'D BY DATE	CHK'D BY DATE	APRV'D BY DATE
0		New Release	RR 04/23/19	RR 04/23/19	RR 04/23/19



PROPRIETARY AND CONFIDENTIAL THE INFORMATION CONTAINED IN THIS DRAWING IS THE SOLE PROPERTY OF WOODCRAFTERS HOME PRODUCTS L.L.C. ANY REPRODUCTION IN PART OR AS A WHOLE WITHOUT THE WRITTEN PERMISSION OF WOODCRAFTERS HOME PRODUCTS L.L.C. IS PROHIBITED.	UNLESS OTHERWISE SPECIFIED DIMENSIONS ARE IN mm and [inches] AND TOLERANCES ARE +/- 1.0 [0.04]	DRAWN BY: RR 4/23/19	TITLE: Delridge 12in W x 14.41in D x 28.07in H
		CHECKED BY: RR 4/23/19	
		APPROVED BY: RR 4/23/19	
		DO NOT SCALE DRAWING SCALE: 1:12 SIZE: A	
		PART NO: PAGE 1 OF 1 REV: 0	

ID	Description	Technology	Status
595543	Slab 12.125x14.5 White	Solid White	Approved for production

Rev #	Approved by	Change
0	R. Rubio	Released



NOTE: MAX. WARPAGE TOLERANCE 1/8"

PROPRIETARY AND CONFIDENTIAL
 THE INFORMATION CONTAINED IN THIS DRAWING IS THE SOLE PROPERTY OF WOODCRAFTERS. ANY REPRODUCTION IN PART OR AS A WHOLE WITHOUT THE WRITTEN PERMISSION OF WOODCRAFTERS IS PROHIBITED.

UNLESS OTHERWISE SPECIFIED
 DIMENSIONS ARE IN MM. AND (INCHES)
 TOLERANCES ARE
 + 0.125 [3.175] - 0.125 [-3.175]
 SCALE: 1:5

	NAME	DATE
DRAWN	R. Rubio	1/06/17
CHECKED	R. Rubio	1/06/17
ENG APPR.	R. Rubio	1/06/17
MFG APPR.	C. Leal	1/06/17

		SIZE	DWG. NO.	SHEET 1 OF 1
		A	Slab 12.125x14.5 White	REV: 0