



# FRIGIDAIRE

## Factory Parts Catalog

Product No.	FFRE0633S10	FFRE0633S11	FFRE0633S13
Series	MS II	MS II	MS II
Color	white	white	white
Volts	115	115	115
BTU-Cooling	6000	6000	6000
Owner's Guide	16120300A04629	16120300A04629	16120300A04629
Installation Instructions	16120300A04442	16120300A04442	16120300A04442
Market	North America	North America	North America

### Frigidaire

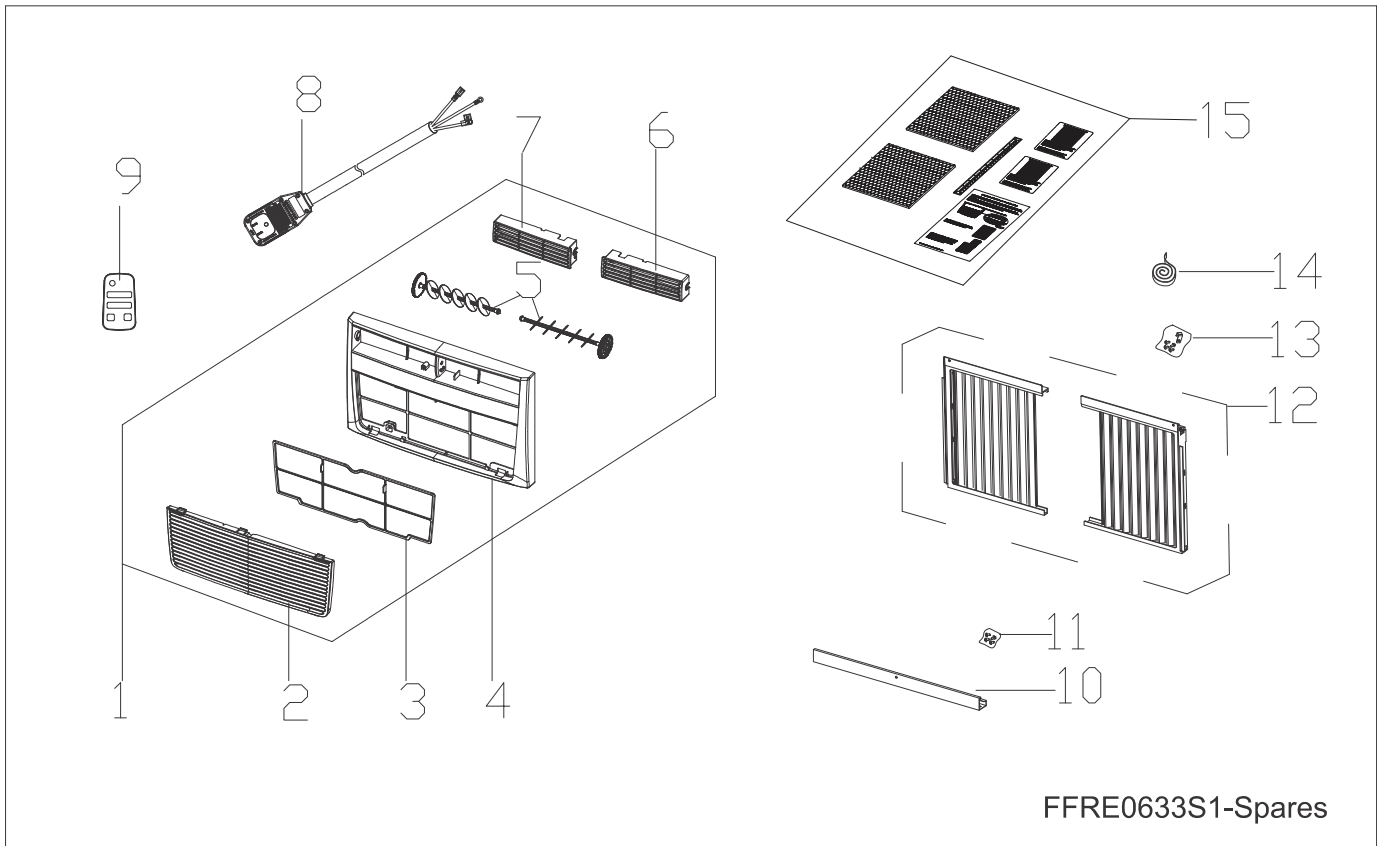
P.O. BOX 8020  
CHARLOTTE, NC 28262

### ROOM AIR CONDITIONER

Model No.  
FFRE0633S1

Publication No.  
**5995675559**  
16/05/25  
(EN/SERVICE/KC)  
099

**RECOMMENDED SPARE PARTS**



## RECOMMENDED SPARE PARTS

---

*Model Index:*    A FFRE0633S1 (FFRE0633S10)  
                           B FFRE0633S1 (FFRE0633S11)  
                           C FFRE0633S1 (FFRE0633S13)

POS. NO	PART NO.		DESCRIPTION
1 #	5304477067	A B C	Front Assembly, complete panel
2	5304477047	A B C	• Panel, front grille, tilt-out
3 #	5304477048	A B C	• Filter, air, plastic frame
4	5304477068	A B C	• Frame, front assembly
5 #	5304477050	A B C	• Louver, vertical
6 #	5304477051	A B C	• Louver, horizontal, right
7 #	5304477052	A B C	• Louver, horizontal, left
8 #	5304500904	A B C	Power Cord, electric, LCDI
9 #	5304476802	A B C	Remote Control, transmitter
10	5304477054	A B C	Rail, shutter track, top
11	5304472191	A B C	Screw Kit, top rail mount
12	5304504924	A B C	Window Filler Kit, slider panels
13	5304491953	A B C	Hardware, mounting, screws/locks
14	5304472211	A B C	Seal Kit, foam, sash filler
15	5304504925	A B C	Panel, insulation, R1

WIRING DIAGRAM

MSII/COMI/COMII Electronic with Ionizer --- 202021190024

