

OREGON®



**Original Instruction Manual
Lawn Mower Model LM300**

**Manuel d'Instructions Original
Tondeuse à Gazon Modèle LM300**

**Manual de Instrucciones Original
Cortacésped Modelo LM300**





▲ WARNING: Read and understand all safety warnings and all instructions.

Failure to follow the warnings and instructions may result in electric shock, fire and/or serious injury.

Save all warnings and instructions for future reference.

This instruction manual contains translations of a manual drafted in English and are provided to assist those who do not speak English as their first language. Being a technical writing, some terms may not have a like or equivalent meaning as translated. Therefore, you should not rely on this translation, and should cross-reference the English version, where relying on the translated instructions could result in harm to your person or property.

▲ AVERTISSEMENT : Prenez connaissance de tous les avertissements et consignes de sécurité.

L'inobservation de ces avertissements et consignes comporte des risques d'électrocution, d'incendie et/ou de lésions graves. **Rangez ces consignes et avertissements en lieu sûr afin de pouvoir les consulter ultérieurement.**

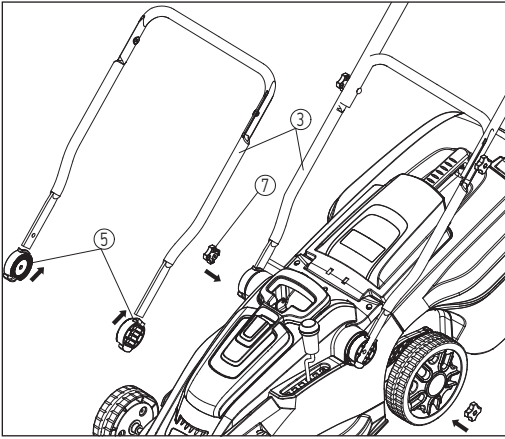
Ce manuel d'utilisation contient plusieurs traductions d'un document rédigé en anglais. Ces traductions visent à aider les utilisateurs dont l'anglais n'est pas la langue maternelle. Comme il s'agit d'un document technique, certains termes sont susceptibles de prendre une signification différente après traduction. Par conséquent, vous ne devez pas vous fier aveuglément à cette traduction. Reportez-vous à la version anglaise si vous percevez que le respect des consignes traduites pourrait occasionner des dommages matériels ou des lésions corporelles.

▲ ADVERTENCIA: Lea y entienda todas las advertencias de seguridad e instrucciones.

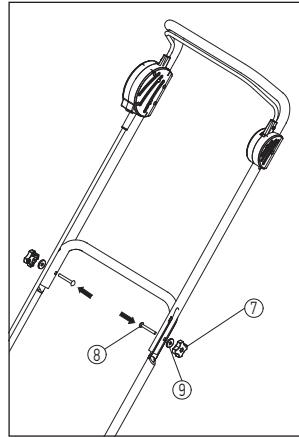
El incumplimiento de las advertencias e instrucciones puede dar lugar a descargas eléctricas, incendios o lesiones graves. **Guarde todas las advertencias e instrucciones para referencia futura.**

Este manual de instrucciones contiene traducciones de un manual redactado en inglés y se ofrece para ayudar a aquellos que no hablan inglés como primer idioma. Al tratarse de un texto técnico, algunos términos pueden no tener un significado similar o equivalente en la traducción. Por lo tanto, no debe confiar en esta traducción, y debería ir consultando la versión inglesa en aquellos puntos donde la confianza en las instrucciones traducidas pueda causar daños a su persona o a la propiedad.

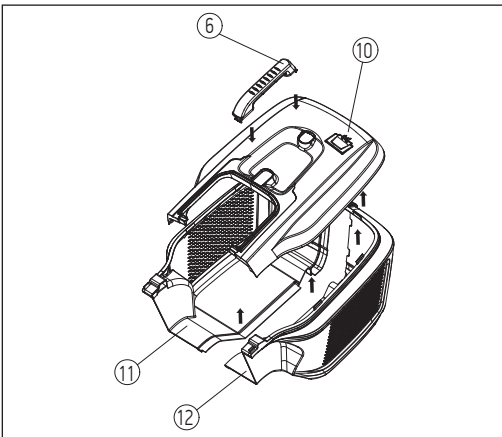
A



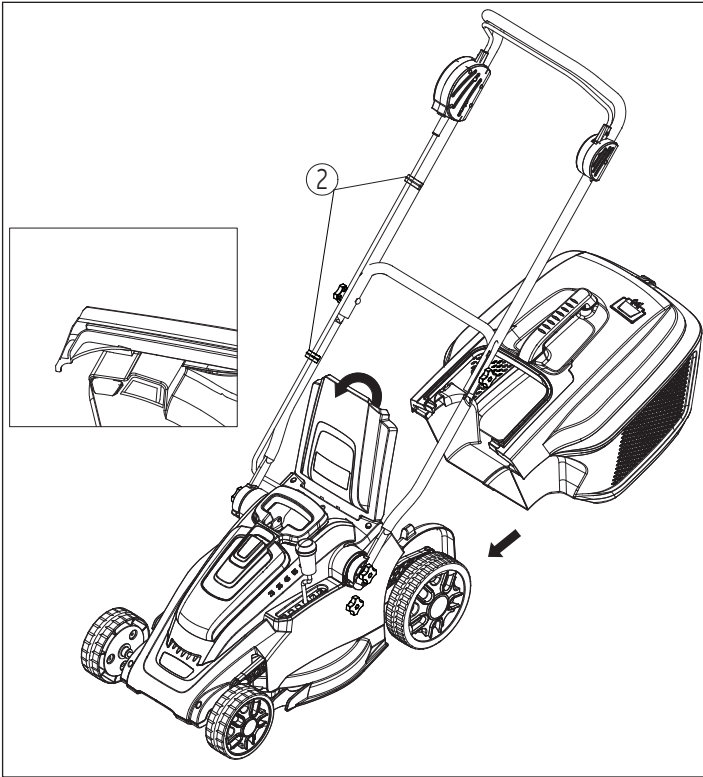
B



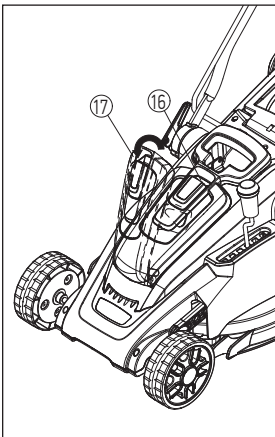
C



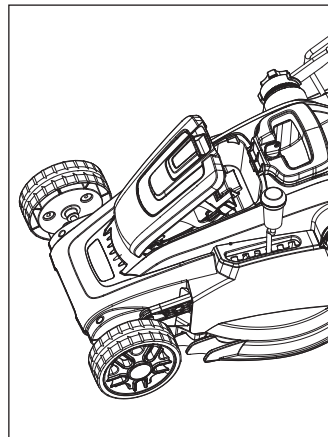
D



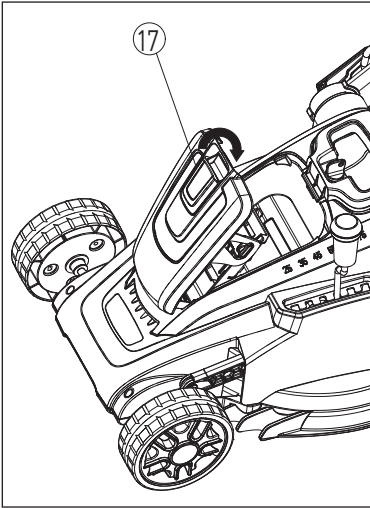
E



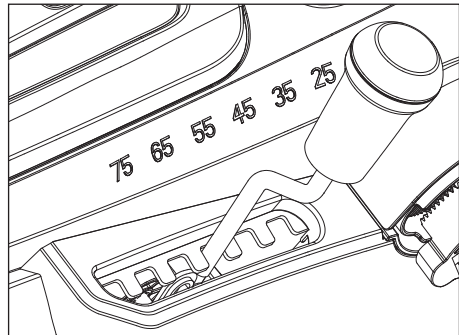
F



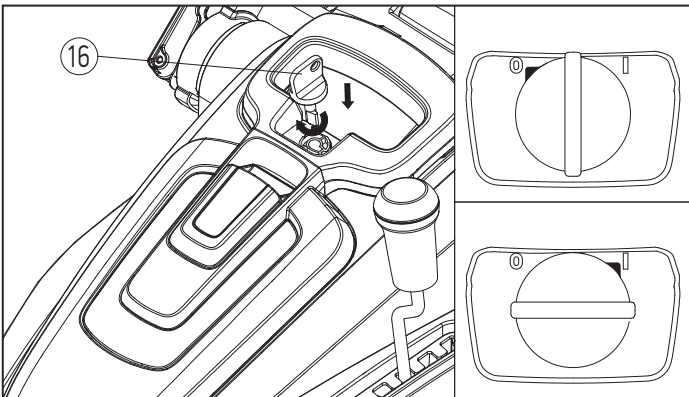
G



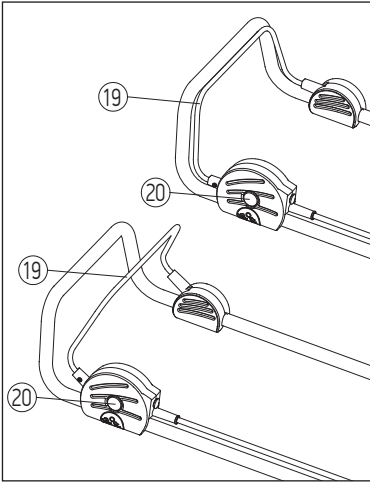
H



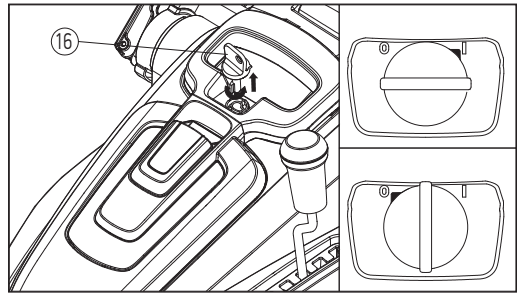
I



J



K



L

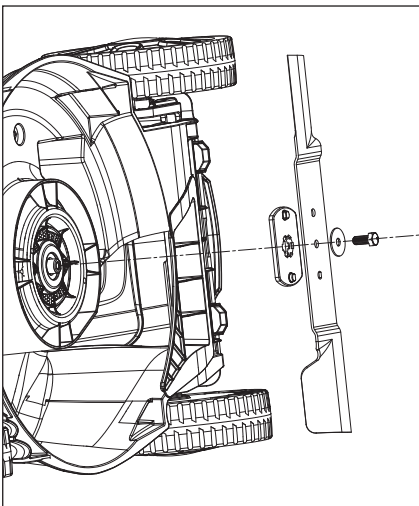
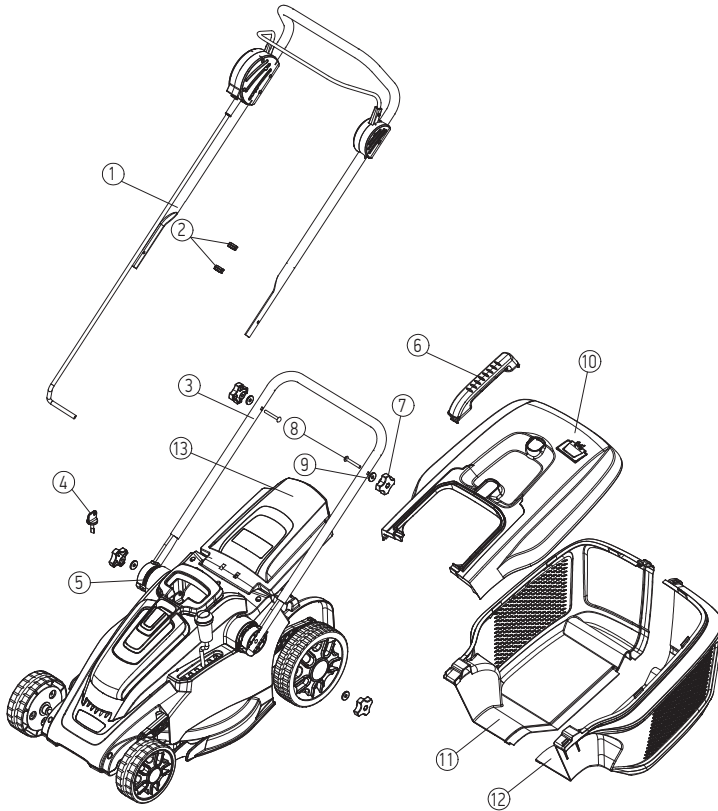


Table of Contents

Product Identification	9
Symbols and Labels	10
Safety Rules and Operation.	11
Maintenance.	13
Assembly.	15
Battery Pack and Charger	17
Transport.	18
Troubleshooting.	19
Specifications	21
Warranty and Service	22

Product Identification



① Upper handle assembly

② Cable clips

③ Lower handle

④ Safety Key

⑤ Rotate block

⑥ Grassbox handle

⑦ Knob

⑧ Bolt

⑨ Washer

⑩ Grassbox cover


















⑪ Left grassbox

⑫ Right grassbox

⑬ Discharge cover

Symbols and Labels

These symbols and labels appear on the lawn mower, battery, and charger.

SYMBOL	NAME	EXPLANATION
	General Hazard Safety Alert	The text that follows explains a danger, warning or caution.
	Read Instruction Manual.	The original instruction manual contains important safety and operating information. Read and follow the instructions carefully.
	Beware Of Foreign Objects	Pay attention that bystanders are not injured through foreign objects thrown from the machine.
	Bystander Safety	Keep bystanders a safe distance away from the machine.
	Beware Of Blades	Sharp blade(s). Beware of severing toes or fingers.
	Remove Safety Key	Switch off and remove safety key before adjusting, cleaning and before adjusting. Cleaning leaving the product unattended for any period.
	Blade Rotation	Wait until all machine components have completely stopped before touching them. The blades continue to rotate after the machine is switched off, a rotating blade can cause injury.
	Wear Eye Protection	Wear eye protection when operating the machine.
	Wear Hearing Protection	Wear hearing protection when operating the machine.
	Wear Hand Protection	Wear gloves when operating the machine or touching the stopped blades.
	Wear Long Pants	Wear long pants when operating the lawn mower.
	Wear Foot Protection	Wear appropriate closed-toe work boot when operating the lawn mower.
	Do Not Incinerate	Do not dispose in flames.
	Do Not Dispose	Do not throw in the household waste. Take to an authorised recycler.
	Do Not Expose To Rain	Do not operate the charger in wet conditions.
	Operating Temperature	Only use the battery pack at a temperature between 32°F to 104°F (0°C and 40°C).
	Remove Battery	Remove the battery before performing any maintenance.

Safety Rules and Operation



SAVE THIS MANUAL FOR FUTURE REFERENCE

Read the entire manual carefully before using the machine for the first time.

- Never allow children or people unfamiliar with these instructions to use the machine. Local regulations may restrict the age of the operator. When not in use store the machine out of reach of children.
- This tool is not intended for use by persons (including children) with reduced physical, sensory or mental capabilities, or lack of experience and knowledge, unless they have been given supervision or instruction concerning use of the appliance by a person responsible for their safety.
- Children should be supervised to ensure that they do not play with the appliance.
- Never mow while people, especially children or pets, are not at least 98 ft. (30 m) away from the lawn mower.
- The operator or user is responsible for accidents or hazards occurring to other people or their property.
- Stay alert – watch what you are doing. Use common sense. Do not operate lawn mower when you are tired.
- Do not operate the machine when barefoot or wearing open sandals, always wear substantial footwear and long trousers.
- Dress properly. Do not wear loose clothing or jewelry. They can be caught in moving parts. Use of rubber gloves and footwear is recommended when working outdoors.
- Use safety glasses. Always use face or dust mask if operation is dusty.
- Objects struck by the lawn mower blade can cause severe injuries to persons. The lawn should always be carefully examined and cleared of all objects prior to each mowing (remove all stones, sticks, wires, bones and other foreign objects).
- Before using, always visually inspect to see that the blades, blade bolts and cutter assembly are not worn or damaged. Replace worn or damaged blades and bolts in sets to preserve balance. Keep the blade sharp.
- Mow only in daylight or in good artificial light.
- Avoid operating the machine in wet grass to avoid slipping.
- Do not use battery-operated lawn mower in rain.
- Never operate the machine with defective guards, shields and safety devices. Always inspect all guards, shields and safety devices prior to each use.
- **Working on banks can be dangerous.**
 - Do not mow excessively steep slopes ($> 15^\circ$).
 - Walk, never run.
 - Always be sure of your footing when using the machine; especially when mowing on slopes.
 - Wet grass may cause the operator to slip. Avoid mowing on wet grass.
 - When mowing slopes, always mow across the face of slopes – never up and down.
 - Exercise extreme caution when changing direction, especially on slopes.
 - Disengage the switch lever to turn off the machine and use extreme caution when stepping back or pulling the machine towards you.
 - Never mow by pulling the mower towards you.
- Turn off the machine by disengaging the switch lever when transporting the machine from one area to another and whenever crossing surfaces other than grass.
- Do not tilt the machine when starting or switching on the motor, except if the machine has to be tilted for starting in long grass. In this case, do not tilt it more than absolutely necessary and tilt only the part which is away from the operator.

- Always ensure that both hands are in the operating position before returning the machine to the ground.
- Switch on the motor according to the instructions with feet well away from rotating parts.
- Remove or disconnect battery before servicing, cleaning, or removing material from the lawn mower.
- Keeps hand and feet away from cutting area.
- Always stand clear of the discharge zone when operating the machine.
- Never pick up or carry the machine while the motor is running.
- Do not modify this product. Unauthorized modifications may impair the safety of your product and may result in increased noise and vibration.
- Use the right appliance. Do not use lawn mower for any job except that for which it is intended.
- Don't force lawn mower – it will do the job better and safer at the rate for which it was designed.
- Don't overreach – keep proper footing and balance at all times.

Remove the safety key:

- whenever you leave or store the machine,
- before clearing a blockage,
- before checking, cleaning or working on the machine,
- after striking a foreign object. Inspect the machine for damage and make repairs as necessary,
- if the machine starts to vibrate abnormally (check immediately).

Storage:

⚠ WARNING: Always store the lawn mower indoors when not in use.

Maintenance



- **Always wear gardening gloves when handling or working near the sharp blades.**
- **Always Remove the battery and safety key from the machine when performing any cleaning or maintenance.**
- Keep all nuts, bolts and screws tight to be sure that the machine is in safe working condition.
- Check the grass catcher frequently for wear or deterioration.
- Examine the machine and replace worn or damaged parts for safety.
- Only the accessories and attachments that are on the lawn mower are acceptable for the use of the lawn mower.
- Ensure that all replacement or service parts are approved by the manufacturer.
- Use identical replacement blades only. Use of any other accessory or attachment might increase the risk of injury.
- Be careful during adjustment of the machine to prevent entrapment of the fingers between moving blade and fixed parts of the machine
- Always allow the machine to cool down before storing
- When servicing the blades be aware that, even though the power source is switched off, the blade can still be moved.
- Store idle lawn mower indoors. When not in use, lawn mower should be stored in an indoor dry and locked-up place – out of reach of children.
- Maintain lawn mower with care – keep cutting edges sharp and clean for best and safest performance.
- Follow instructions for lubricating and changing accessories.
- Keeps handles dry, clean, and free from oil and grease.

Recommendations for optimal handling of the battery and charger

- **Ensure the switch is in the off position before inserting battery pack.** Inserting the battery pack into machines that have the switch on invites accidents.
- **Do not charge battery in rain, or in wet locations.**
- **Keep the battery charger away from rain or moisture.** Penetration of water in the battery charger increases the risk of an electric shock.
- **Recharge battery only with the charger specified by the manufacturer (chargers Oregon C series).** A charger that is suitable for one type of battery pack may create a risk of fire when used with another battery pack.
- Do not charge other batteries on the charger. The battery charger is suitable only for charging manufacturer specific and approved lithium ion batteries within the listed voltage range. Otherwise there is danger of fire and explosion.
- Keep the battery charger clean. Contamination can lead to danger of an electric shock.
- Before each use, check the battery charger, cable and plug. If damage is detected, do not use the battery charger. Never open the battery charger yourself. Have repairs performed only by a qualified technician and only using original spare parts. Damaged battery chargers, cables and plugs increase the risk of an electric shock.
- **Do not operate the battery charger on easily inflammable surfaces (e.g., paper, textiles, etc.) or surroundings.** The heating of the battery charger during the charging process can pose a fire hazard.
- **Use only appropriate battery packs intended specifically by the manufacturer for the machine.** Use only the Oregon nominal 40V B series batteries. Use of any other battery packs may create a risk of injury and fire.

- Exercise care in handling batteries in order not to short the battery with conducting materials such as rings, bracelets, and keys. The battery or conductor may overheat and cause burns.
- **Under abusive conditions, liquid may be ejected from the battery; avoid contact. If contact accidentally occurs, flush with water. If liquid contacts eyes, additionally seek medical help.** Liquid ejected from the battery may cause irritations or burns.
- **Do not open or mutilate the battery.** Released electrolyte is corrosive and may cause damage to the eyes or skin. It may be toxic if swallowed.
- **Protect the battery against heat, e.g., against continuous intense sunlight, fire, water, and moisture. Failure to do so, may result increase danger of explosion.**
- Do not short-circuit the battery. There is danger of explosion.

In case of damage and improper use of the battery, vapours may be emitted. Ventilate the area and seek medical help in case of complaints. The vapours can irritate the respiratory system.

- Protect the battery against moisture and water.
- Store the battery only within a temperature range between 32°F and 104°F (0°C and 40°C). As an example, do not leave the battery in the car in summer.
- Occasionally clean the venting slots of the battery using a soft, clean and dry brush.
- Do not dispose of the battery in a fire. The cell may explode. Check with local codes for possible special disposal instructions.

Assembly

Assembly (Fig. A - B - C - D)

Fix the rotation-blocks 5 into the lower handle 3 (Fig. A), then you can fix the lower handle 3 and the machine together with the knobs 7. This enables you to adapt the handle upright height from 3 ft. to 3.5 ft. (890 mm to 1030 mm) in 3 different positions. Fix the upper handle to the frame of the lower handle (Fig. B) and then secure using the Knobs 7, bolts 8, and washer 9. Hand tighten the Knobs 7.

Assemble the grass box by connecting the two sides of the box 11, 12 ensuring that all of the tabs located along the connecting edge of 11 are properly seated into the edge of 12. You will hear and audible click sound as each tab is properly seated. Ensure the entire connecting seam between 11 and 12 is properly connected. (Fig. C)

Place the top of the grass box 10 on to the formed piece of 11 and 12. Ensure that all tabs on the edge of 11 and 12 properly and securely seat into the frame of 10. You will hear and audible click sound as each tab is properly seated. (Fig. C)

Place the grass box handle 6 into the proper location on the top of the grass box 10. Firmly push the tabs on the handle into the grass box, ensuring the handle is properly seated. You will hear and audible click sound as each tab is properly seated. (Fig. C)

To attach the grass box to the machine, lift and hold the discharge cover with one hand, and with the opposite hand, slide the grass box onto the rear of the machine, ensuring that the grass box properly seats on the frame of the machine. Release the spring loaded discharge cover, allowing the cover to collapse over the opening between the grass box and the machine. (Fig. D)

Properly secure the cable to the handlebar frame using the provided cable clips 2. (Fig. D)

Inserting and Removing the Battery Pack (Fig. E - F - G)

⚠ WARNING: Ensure the safety key is turned off before inserting or removing the battery pack.

To insert the battery pack, push the button 16 on the machine battery cover 17 and lift the cover 17. (Fig. E, F) Insert the battery pack into the battery cover, ensuring the small rails on the cover align with the rail slots on the battery pack. Firmly push the battery pack into place, until you hear an audible click sound. Close the battery cover. You will hear an audible click when the cover is properly closed. (Fig. G)

To remove the battery pack, open the battery cover. Lift the small button below the front of the battery pack to release the battery pack. The spring loaded button will release the battery pack, allowing you to pull the battery pack out of the machine. Close the cover to prevent accidental damage to the machine.

Adjusting the Cutting Height (Fig. H)

Your lawn mower is equipped with a central height adjustment system, offering 6 height settings. The settings are approximately 1 in (25 mm), 1 3/8 in (35 mm), 1 3/4 in (45 mm), 2 1/8 in (55 mm), 2 1/2 in (65 mm), and 3 in (75 mm). The actual cutting height may vary slightly.

To adjust the cutting height of the machine, position the lever (Fig. H) to the desired height position. The numbers indicated on the body of the machine (25, 35, 45, 55, 65, 75) indicates the approximate cutting height of the machine in that position. The lower the number, the shorter the grass will be once cut.

Always perform a small test by cutting the grass at higher settings and adjusting down to determine your desired cutting height.

Using the Safety Key (Fig. I)

The Safety Key is an important safety device on the machine. The motor and blades of the machine can only be started when the Safety Key is inserted and rotated to the ON position. Only insert the safety key when you intend to start the machine and turn the blades.

To insert the Safety Key, push the safety key into the socket, by aligning the small tab on the key to the slot in the socket (Fig. I).

To turn the machine to the "ON" position rotate the key clockwise so the small indicator arrow on the key points to the "I".

To turn the machine to the "OFF" position, and to remove the key, rotate the key counterclockwise so the small indicator arrow on the key points to the "O". You may remove the key.

The motor can be started only when the Safety key is fitted.

Push the fuse key 16 into the socket. Then rotate the fuse key 16 to the position "on". (Fig. I)

Replacing or Sharpening the Cutting Blade (Fig. L)

⚠ WARNING: Always remove the battery and the safety key when performing any maintenance.

The cutting blade is designed to be a replacement item and may need sharpening from time to time. Sharpen when dull. Replace when damaged. Contact your dealer or the manufacturer for proper instructions.

Operation (Fig. J)

First, make sure you are in the proper cutting area. Ensure the cutting area is free of bystanders and foreign objects. Inspect the machine for any possible damage or unsafe conditions.

Ensure the cutting height of the machine is at your desired height.

Ensure the safety is in the "ON" position. (Fig. I)

Press and hold the safety button 20, squeeze the switch lever 19 towards the handlebar. (Fig. J)

When the unit starts, release the safety button 20. Maintain squeezing the switch lever during use.

Releasing the switch lever will disengage power to the unit. The blades may continue to rotate for a period of time after power is disengaged.

Intended Use

The garden product is intended for domestic lawn mowing.

Stopping the Machine

Release the switch lever 19 (Fig. J). Releasing the switch lever will disengage power to the unit. The blades may continue to rotate for a period of time after power is disengaged.

Battery Pack and Charger

⚠ WARNING: To reduce the risk of shock, do not charge the battery pack in the rain.

Battery Pack LED Charge-Level Indicator

The lithium ion battery pack is equipped with an LED charge-level indicator. To test the charge level of the battery pack, press the indicator button on the battery pack's face (Fig. 1).

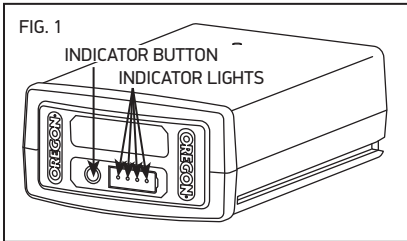
No lights: recharge.

One steady green light:
less than 25% charged.
Charge battery pack before use.

Two steady green lights:
26–50% charged.

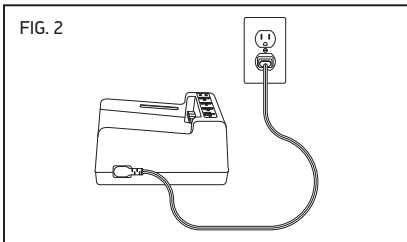
Three steady green lights:
51–75% charged.

Four steady green lights:
76–100% charged.



Connecting the Charger

If the charger includes a separate power cord, connect the charger cord to the charger and to the proper electrical outlet (Fig. 2).



Only use the cord set that was supplied with the charger. At first use, verify that the plug type matches the receptacle.

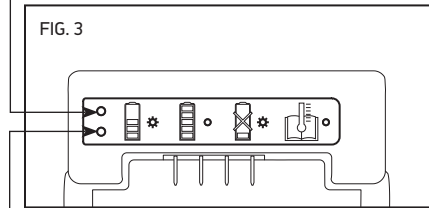
Charger LED Charge-State Indicator

The battery charger is equipped with an LED charge-state indicator that indicates the state of charging as well as conditions that may delay or prevent charging (Fig. 3).

Note: Until a battery pack is inserted, no lights will be visible.

Blinking orange light: a fault condition exists. There are several potential causes. See "Troubleshooting" in this manual.

Steady orange light: the battery pack temperature is beyond the acceptable range (32°F/0°C to 104°F/40°C). Allow the battery pack to reach the acceptable temperature range before charging. The pack may be left on the charger as the temperature adjusts. Charging will begin when the proper temperature is reached.



Blinking green light: battery pack is charging.

Steady green light: battery pack is ready for use.

Charging the Battery

⚠ WARNING: Failure to follow proper charging procedures may cause excessive voltage, excessive current flow, loss of control during charging, leakage of hazardous chemicals, heat generation, bursting or fire. Follow these charging instructions.

With the charger cord connected to the charger and plugged into a electrical outlet, align the grooves on the battery with the rails on the charger and slide the battery pack onto the charger until fully seated.

For more information, please refer to your battery and charger manuals.

Transport

The contained lithium-ion batteries are subject to the Dangerous Goods Legislation requirements. The user can transport the batteries by road without further requirements.

When being transported by third parties (e.g.: air transport or forwarding agency), special requirements on packaging and labeling must be observed. For preparation of the item being shipped, consulting an expert for hazardous material is required.

Dispatch batteries only when the housing is undamaged.

Tape or mask off open contacts and pack up the battery in such a manner that it cannot move around in the packaging.

Please also observe possibly more detailed national regulations.

Disposal

Do not dispose of garden products, battery chargers and batteries/ rechargeable batteries into household waste!

Troubleshooting

Use this table to see possible solutions for possible problems with the lawn mower. If these suggestions do not solve the problem, see "Warranty and Service".

SYMPTOM	POSSIBLE CAUSE	RECOMMENDED ACTIONS
Tool fails to operate	Possible clogging	Remove battery, remove safety key. Clear obstructions. Check underneath the garden product and clear out as necessary (always wear gardening gloves).
	Battery not fully charged	Charge battery.
	Battery not inserted (properly)	Properly insert battery.
	Grass too long	Increase height of cut and tilt garden product to reduce starting load.
	Motor protector has activated	Allow motor to cool and increase height of cut.
	Battery too hot/cold	Allow to cool/warm.
	Safety key not inserted correctly/fully	Insert safety key correctly.
Motor starts and stops immediately	There is a short delay in the motor starting after engaging the safety button switch	Hold safety button for 1 – 3 seconds before engaging switch lever to start motor.
	Battery not fully charged	Charge battery.
	Isolator key not inserted correctly/fully	Insert safety key correctly.
	Battery not inserted (properly)	Properly insert battery.
Tool functions intermittently	Battery too hot/cold	Allow to cool/warm.
	Internal wiring of garden product damaged	Contact service agent.
Garden product leaves ragged finish and/or Motor labours	Motor protector has activated	Allow motor to cool and increase height of cut.
	Height of cut too low	Increase height of cut.
	Cutting blade dull	Replace the blade or sharpen the blade.
	Possible clogging	Remove battery, remove safety key. Check underneath the garden product and clear out as necessary (always wear gardening gloves).
	Blade fitted upside down	Remove battery, remove safety key. Refit blade correctly.

SYMPTOM	POSSIBLE CAUSE	RECOMMENDED ACTIONS
Area of cut (battery duration)not large enough	Height of cut too low	Increase height of cut and walk slower.
	Grass too high	Increase height of cut and walk slower.
	Grass wet or damp	Wait until grass is dry and walk slower.
	Grass is dense	Increase height of cut, walk slower and cut more frequently.
Cutting blade not rotating while garden product switched on	Cutting blade obstructed	Remove battery, remove safety key. Clear obstruction (always wear gardening gloves).
	Blade nut/bolt loose	Remove battery, remove safety key. Tighten blade nut/bolt (15 Nm).
Excessive vibrations/noise	Blade nut/bolt loose	Remove battery, remove safety key. Tighten blade nut/bolt (15 Nm).
No charging procedure possible	Battery contacts contaminated	Clean the battery contacts (e.g. by inserting and removing the battery several times) or replace the battery.
	The battery is defective, due to a disconnection in the battery	Replace the battery.
The charge control LEDs and respectively, do not light up after inserting the mains plug into the socket	Mains plug of battery charger not plugged in (properly)	Insert mains plug (fully) into the socket outlet.
	Socket outlet, mains cable or battery charger defective	Check the mains voltage and, if necessary, have the battery charger checked by an authorized customer service station for power tools.

Specifications

BATTERY RECHARGEABLE LAWN MOWER	LM300
Blade width	1.3 ft (40 cm)
Height of cut in (mm)	1 in (25 mm) – 3 in (75 mm)
Grassbox, capacity	50 L
Weight with battery	36 lbs (16.3 kg)
Serial number	Refer to label on the machine (under discharge cover)
BATTERY	OREGON BRAND 40V SERIES BATTERY PACK
Battery pack rated voltage	As indicated on the battery pack label
Battery pack capacity	As indicated on the battery label
Charging period (battery discharged)	Depends on battery capacity and charger output.
Lawn area per battery charge	Depends on battery pack capacity; approximately 4000 f/s with a 4.0 Ah battery pack
Sound power level: acoustical energy emitted by the source	LwA.d: 96 dB(A)
Sound pressure level: what the operator hears	Lpa.d: 84 dB(A), Kpa: 3 dB(A) 3,5 m/s ² , K=1,5 m/s ²
Hand/arm vibration avhw ¹	< 2,5 m/s ² k= 1,5m/s ²
Measuring method according to ¹ EN 60335-2-77 ² directive 2000/14/EC	

Warranty and Service

Warranty

Blount, Inc. warrants all registered Oregon® Cordless Tools and Chargers for a period of three (3) years and all registered Oregon® Cordless Battery packs for two (2) years from original date of purchase. Registered Oregon® Cordless Tools, Battery Packs and Chargers are warranted for two (2) years if used for commercial purchases. This limited warranty applies to Oregon® Cordless Tools System manufactured products. During the warranty period, Blount will replace or, at its option, repair for the original purchaser only, free of charge, any product or part which is found upon examination by Blount to be defective in material and/or workmanship. The purchaser shall be responsible for all transportation charges and any cost of removing any part submitted for replacement under this warranty.

To register your product, visit the “support” section of **OregonCordless.com**.

Service and Support Information

Visit us on the web at **OregonCordless.com** for service center information, or contact our customer service department at 888.313.8665 for assistance, additional technical advice, repair, or replacement parts.

For safety, use only genuine factory replacement parts on the power tool. Our service center is staffed with trained personnel to efficiently provide support and assistance with adjustment, repair, or replacement of all Oregon® Cordless Tool System products.





OregonProducts.com

Blount International, Inc.
4909 SE International Way
Portland, OR 97222-4679 USA