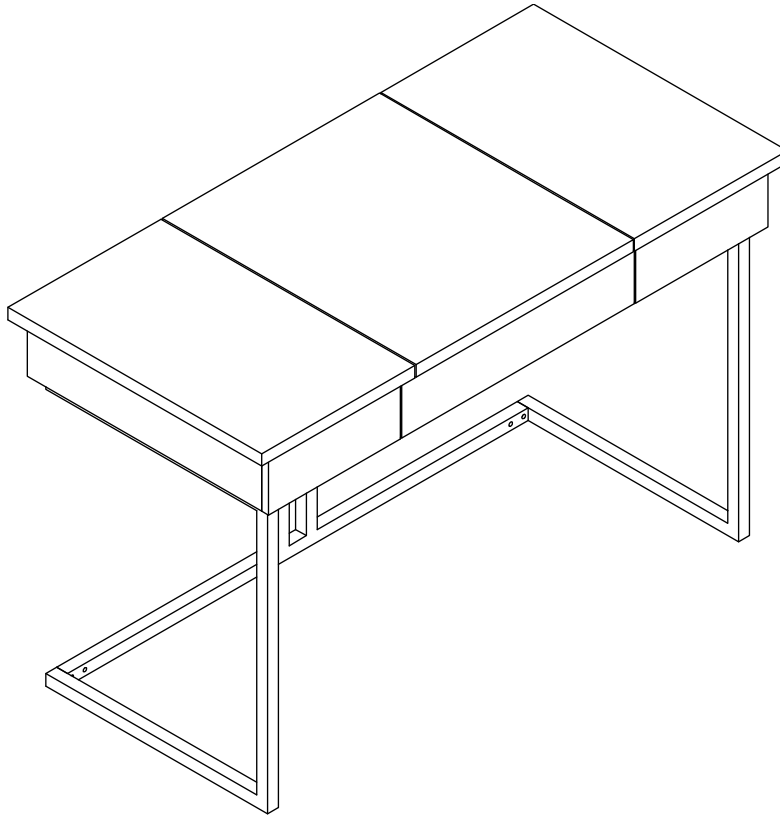


USE AND CARE GUIDE

LIFT TOP WRITING DESK WITH 2 DRAWERS



Questions, problems, missing parts?
Before returning to the store, call Customer Service.
8 a.m. – 7 p.m., EST, Monday – Friday, 9 a.m. – 6 p.m., EST, Saturday

1-877-527-0313

HOMEDEPOT.COM

THANK YOU

We appreciate the trust and confidence you have placed in StyleWell through the purchase of this desk. We strive to continually create quality products designed to enhance your home. Visit us online to see our full line of products available for your home improvement needs. Thank you for choosing StyleWell!!

Table of Contents

Table of Contents.....	2	Hardware Included.....	4
Safety Information.....	2	Pre-assembly (continued).....	5
Warranty.....	3	Package Contents.....	5
1 Year Warranty.....	3	Assembly.....	6
What is Covered.....	3	Assembly (continued).....	7
What is Not Covered.....	3	Maintenance.....	8
Pre-assembly.....	4	Care and Cleaning.....	8
Planning Assembly.....	4	Troubleshooting.....	8
Tools Required.....	4		

Safety Information



DANGER

- Keep small parts away from children during assembly.
- Read and follow instructions carefully.



WARNING

- Read these instructions carefully and keep in a safe place.
- TO GUARANTEE THE SAFE USE OF THIS PRODUCT, FOLLOW THE WARNINGS, GUIDELINES AND RECOMMENDATIONS IN THIS MANUAL.
- Adult assembly required.
- Small parts may present choking hazard prior to assembly.
- To further reduce the risk of serious injury and death from tip overs:
 - Place heaviest items in the lowest compartments or drawers.
 - Never allow children to climb or hang on drawers, doors or shelves.
 - Use of tip-over restraints may only reduce, but not eliminate, the risk of tip-over.
 - For safe mounting, it is essential to use wall anchors appropriate to your wall type (i.e. plaster, drywall, concrete, etc). Mount to wood studs whenever possible.



***NOTE:** If you are unsure about your wall type or what mounting method you should use, consult a qualified professional.



CAUTION

- Do not use power tools to assemble your furniture. Power tools may strip or damage parts/product.
- Do not overtighten connectors (screws, bolts, etc.). Overtightening can lead to product damage.
- Be sure to check all packing materials carefully for small parts that may have come loose inside the carton during shipment. If parts are missing, contact THE HOME DEPOT to obtain any missing parts.
- DO NOT USE SUBSTITUTE PARTS.
- This product should only be used on a flat, level surface. Product is designed to hold 200lbs, and hold 20lbs while lift top pulling up. Exceeding this limit may damage the product or cause injury to the user.

Warranty

1 YEAR WARRANTY

WHAT IS COVERED

We guarantee this product to be free of manufacturing defects to the original purchaser for one year.

WHAT IS NOT COVERED

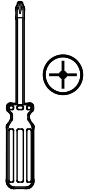
This warranty does not cover commercial use, acts of nature, and abusive use.

Pre-assembly

PLANNING ASSEMBLY

Compare all parts with the Hardware Included and Package Contents list. If any part appears missing or damaged, do not assemble this product and contact the Customer Service Team at 1-877-527-0313.

TOOLS REQUIRED

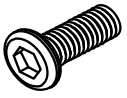


Phillips
screwdriver
(not provided)

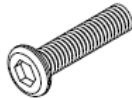
HARDWARE INCLUDED



NOTE: Hardware not shown to actual size.



_____ AA



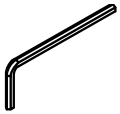
_____ BB



_____ CC



_____ DD

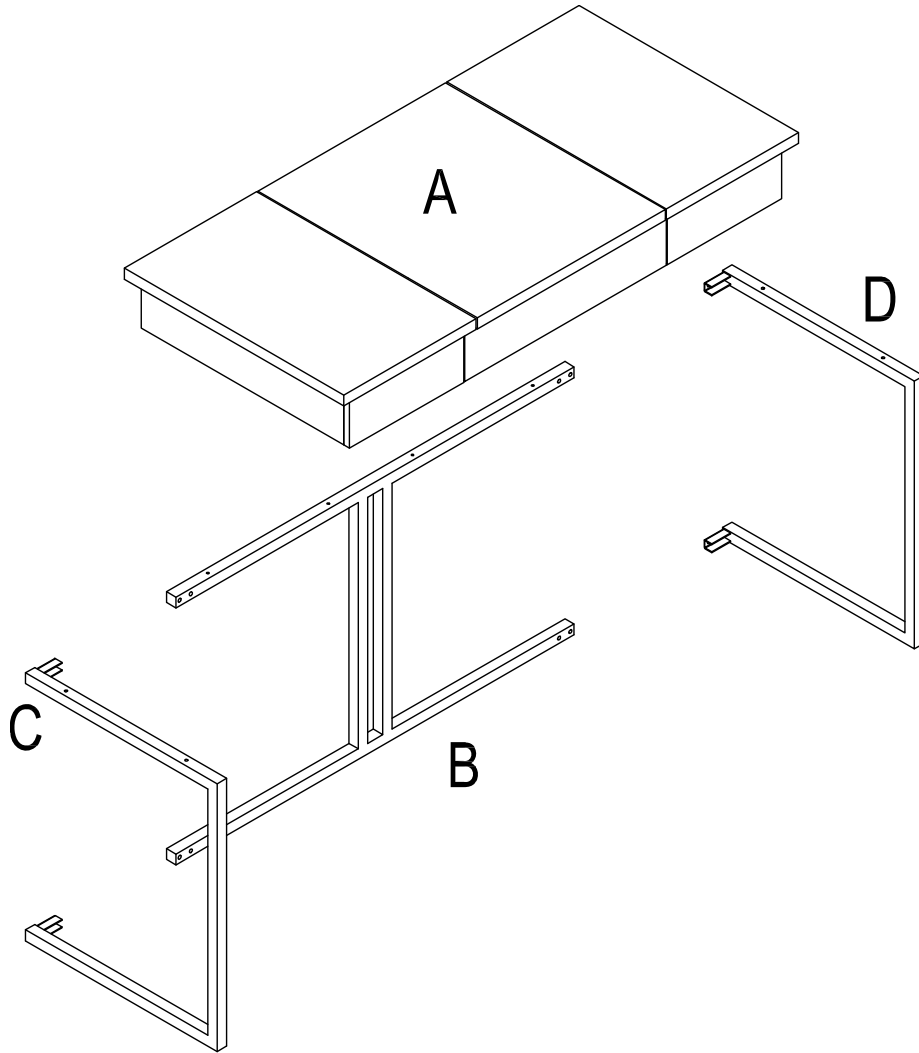


_____ EE

Part	Description	Quantity
AA	Bolt.	8 + 1 extra
BB	Bolt.	8 + 1 extra
CC	Lock Washer	16 + 1 extra
DD	Flat Washer	16 + 1 extra
EE	Hex Wrench	1

Pre-assembly (continued)

PACKAGE CONTENTS



Part	Description	Quantity
A	Desk Top	1
B	Middle Metal Frame	1
C	Left Metal Frame	1
D	Right Metal Frame	1

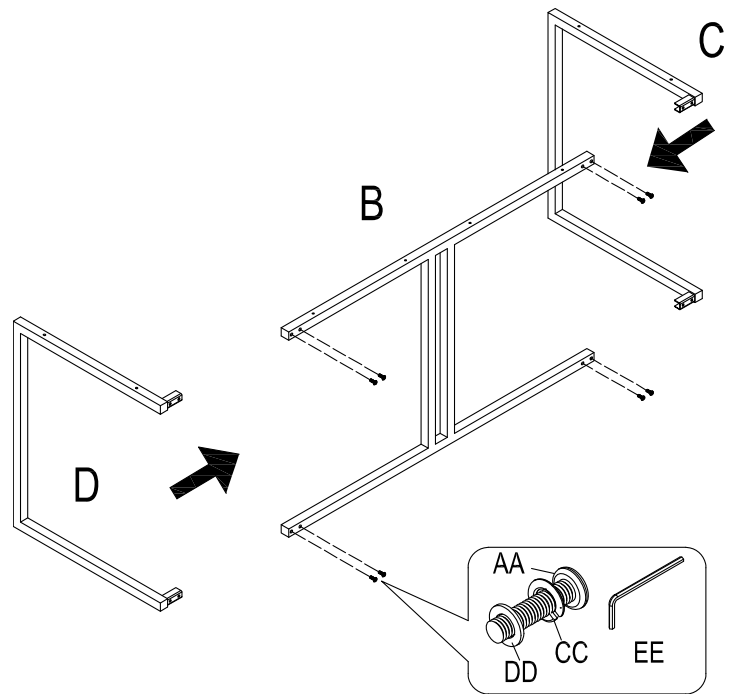
Assembly

1 Assemble the metal frame

- Insert side metal frame (C) and (D) to the middle metal frame (B), and use hex wrench (EE) to fix the metal frame by screwing the bolts (AA) with lock washers (DD) and flat washers (CC).

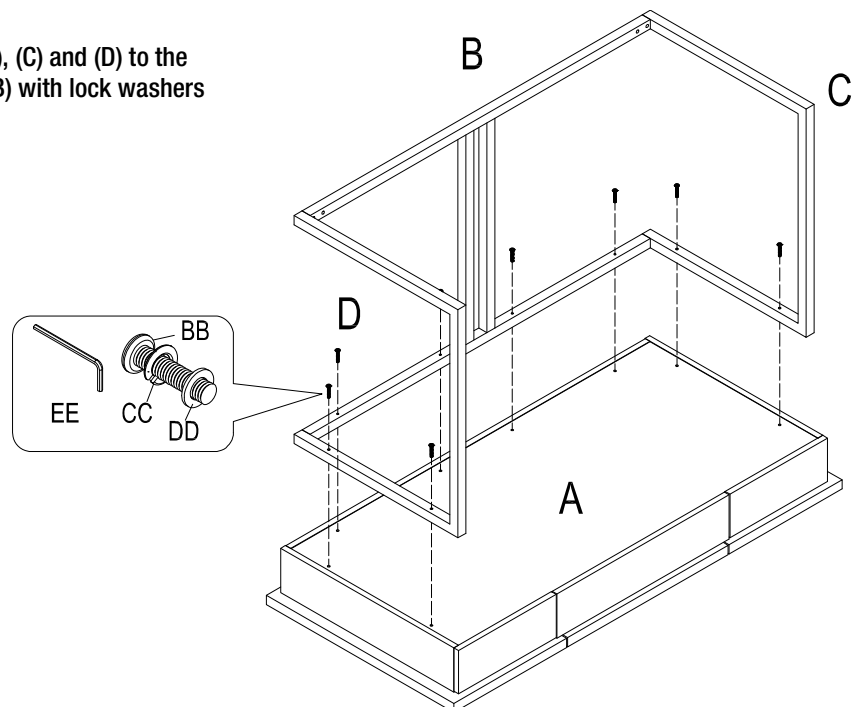


NOTE: Do not fully tighten all bolts until you finish assembling. Once assembled, go back and fully tighten all bolts. This will make the assembly easier.



2 Attach the metal frame

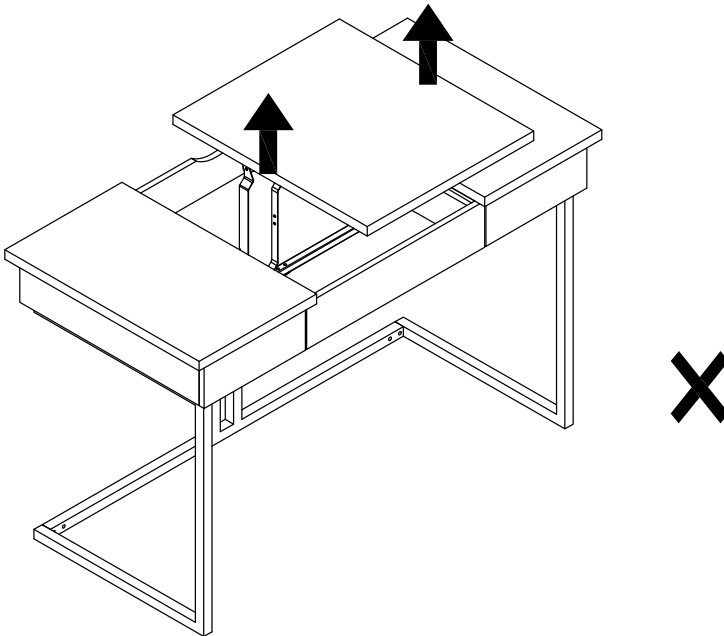
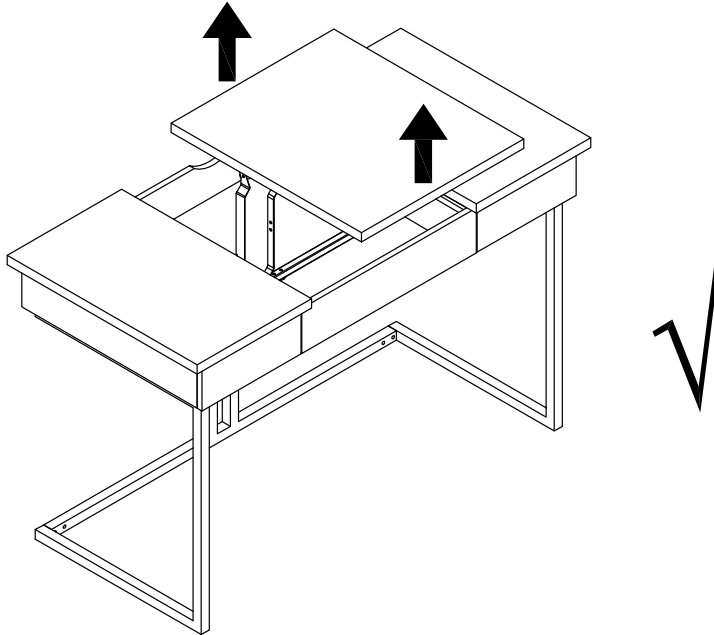
- Lay the desk top (A) on a level and protected surface with the bottom of desk top (A) facing up.
- Attach the assembled metal frame (B), (C) and (D) to the desk top (A) by screwing the bolts (BB) with lock washers (DD) and flat washers (CC).



Assembly (continued)

3 Use the lift-up top

- Put the hands on the front and back of the lift-up top to pull up and push down. Do not put the hands on the side to use.



Maintenance

- To clean and care for your furniture:
 - Use a soft, clean cloth that will not scratch the surface when dusting.
 - Use of furniture polishes is not necessary. Should you choose to use polishes, test first in an inconspicuous area.
 - Using solvents of any kind on your furniture may damage the finish.
 - Never use water to clean your furniture as it may cause damage to the finish.
 - Always use coasters under beverage glasses and flowerpots.
 - Liquid spills should be removed immediately. Using a soft clean cloth, blot the spill gently. Avoid rubbing.
 - Always use protective pads under hot dishes and plates. Heat can cause chemical changes that may create spotting within the furniture finish.
 - Stains or marks from crayons or ink markers will be difficult to remove.
 - In the event that your furniture is stained or otherwise damaged during use, we recommend that you call a professional to repair your furniture.
 - Check bolts/screws periodically and tighten them if necessary.

Care and Cleaning

- It is best to keep your furniture in a climate-controlled environment. Extreme temperature and humidity changes can cause fading, warping, shrinking and splitting of wood. It is advised to keep furniture away from direct sunlight as sun may damage the finish.
- Proper care and cleaning at home will extend the life of your purchase. Following these important and helpful tips will enhance your furniture as it ages.

Troubleshooting

Problem	Solution
Not all of the product's legs touch the floor.	Make sure adjustable center feet levelers are adjusted properly. The levelers are pre-assembled on the bottom of the legs.
	The product is KD construction. You may need to loosen the bolts and place the product on a flat surface. Ensure that the legs all touch the flat surface and re-tighten bolts.
	Loosen all the bolts apply some weight to the product to get all the feet to touch the floor. Then re-tighten the bolts in that position.
One or more of the bolts do not fit in holes correctly.	The product is KD construction. Do not fully tighten the bolts before all are completely lined up and inserted into holes. Loosen the bolts and make sure all bolts are lined up and inserted into the holes.

StyleWell.™

Questions, problems, missing parts?
Before returning to the store, call Customer Service
8 a.m. – 7 p.m., EST, Monday – Friday, 9 a.m. – 6 p.m., EST, Saturday

1-877-527-0313

HOMEDEPOT.COM

Retain this manual for future use.