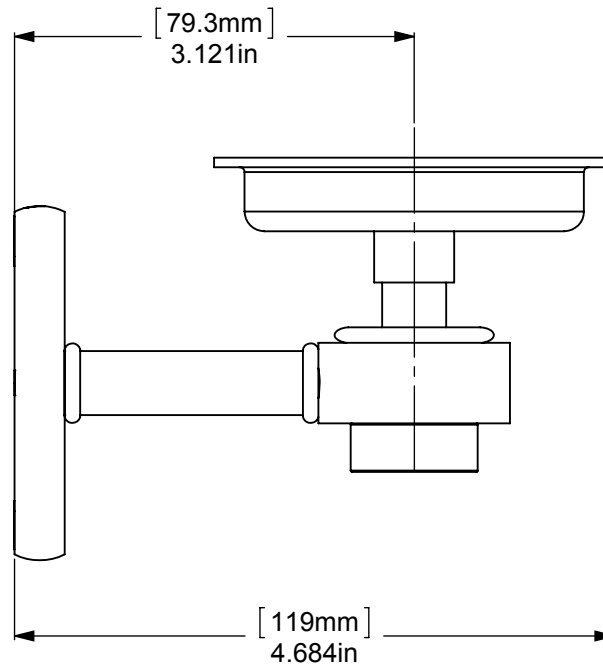
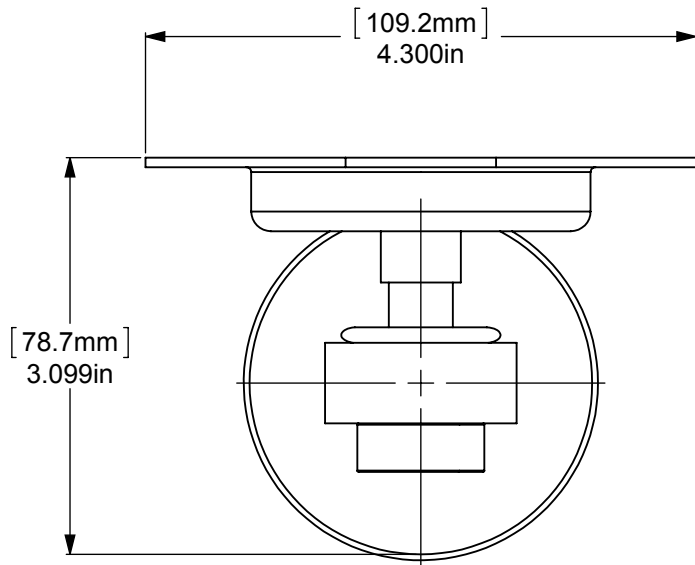
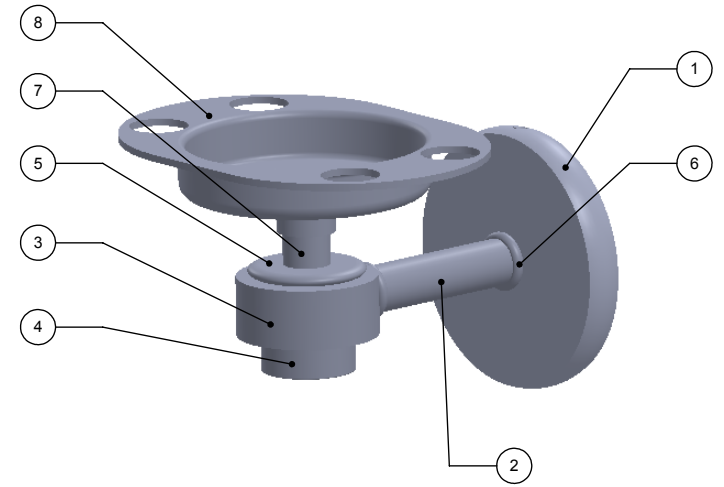


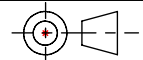
1	BPRD	BASE	1
2	TU12-.2	TUBE	1
3	RGSMT	CONNECTOR	1
4	Card-1	END LOCK	1
5	CRRD-1	RING-1"	1
6	CRRD-12	RING-SMALL	2
7	TU12-.75	TUBE-.75	1
8	HROVT	PLATE	1




UNLESS OTHERWISE STATED

.X	±.3mm
.XX	±.15mm
.XXX	±.008mm

COPYRIGHT © Allied Brass 2017



THIRD ANGLE PROJECTION

DRAWN	7/7/2017	I.M	MATERIAL:	BRASS	FINISH	TBD
CHECKED	7/7/2017	P.D	DESCRIPTION:		QUANTITY	TBD
APPROVED	7/7/2017	R.A	Satellite Orbit One Collection Tumbler/Toothbrush Holder		DRAWING No.	REV
					7126	0
				SCALE	1:1.5	SHEET: 01 A4