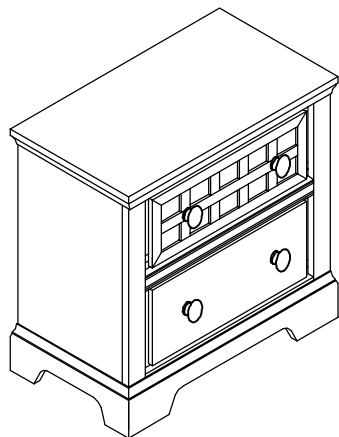


ASSEMBLY INSTRUCTION

Item No : P107-44

Description : NIGHT STAND



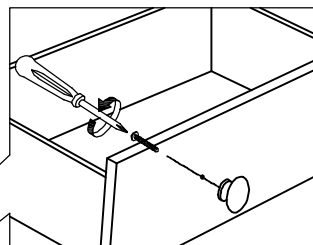
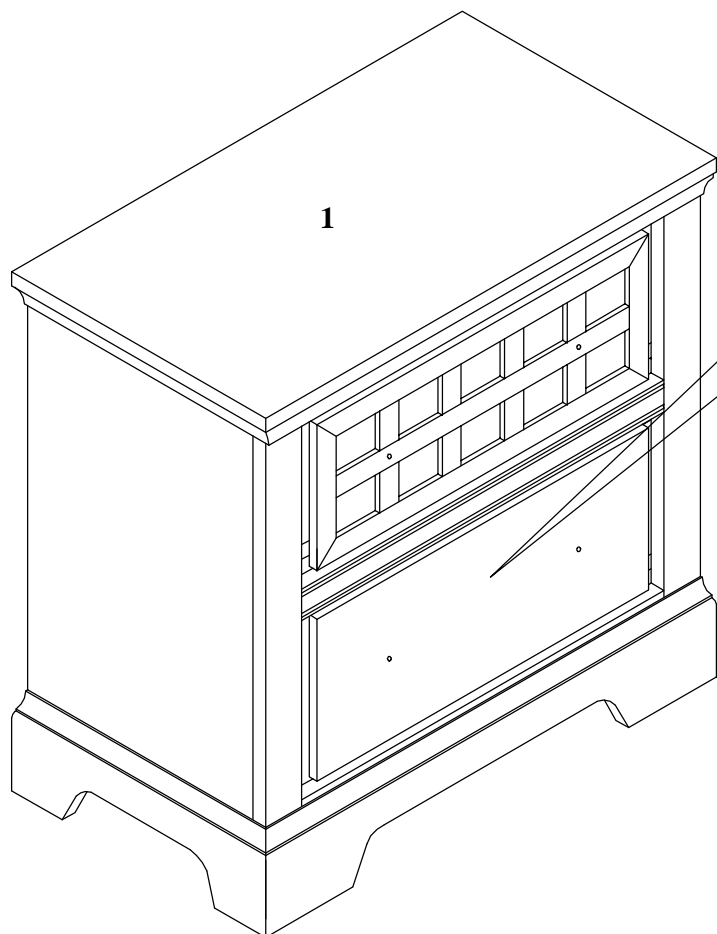
IMPORTANT NOTE :

- Place all wooden parts on a clean and smooth surface such as a rug or carpet to avoid the parts from being scratched.
- Check to be sure that you have all parts and hardware.
- Remove all wrapping materials, including staples & packing straps before you start to assemble.
- Do not tighten all screws / bolts until all completely assembled.
- Keep all hardware parts out of reach of children.

PARTS LIST		
NO	DESCRIPTION	QTY
1	NIGHT STAND	1PC

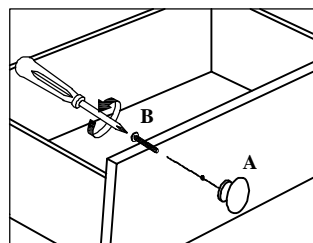
HARDWARE LIST		
NO	DESCRIPTION	QTY
A	METAL KNOB HANDLE	4PCS
B	SCREW 5/32 X 25mm	4PCS

NOTE : YOU WILL ALSO NEED A PHILIP SCREW DRIVER (NOT PROVIDED)



Re assembled knob handle from inside to outside position.

OPTIONAL :
IF WANT TO USE METAL KNOB HANDLE.



Remove the wooden knob and change to metal knob handle.