

# Claremont Two Door Bath Cabinet

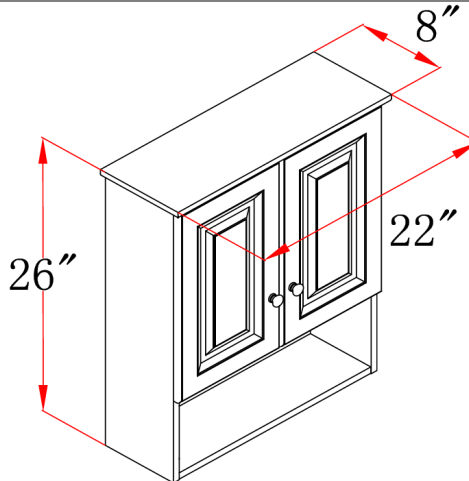


## Specifications

- Solid wood door frames and drawer fronts
- Raised panel veneer, full overlay door design
- Frameless design for increased storage and accessibility
- Aged brass hardware
- Concealed, adjustable hinges
- Cam-lock connectors for fast & easy assembly
- Vanity top sold separately



## Dimensions



## Warranty & Compliances

**Warranty** Limited 1 year warranty  
**California 93120** Compliant



## Order Codes & Finishes/Colors

21"w x 7"d x 26"h

531962

<b>Type:</b>
<b>Job:</b>
<b>Order Code:</b>
<b>Approvals:</b>

Design House reserves the right to make changes in materials, specifications & models at any time. Design House also reserves the right to discontinue product without notice or obligation.