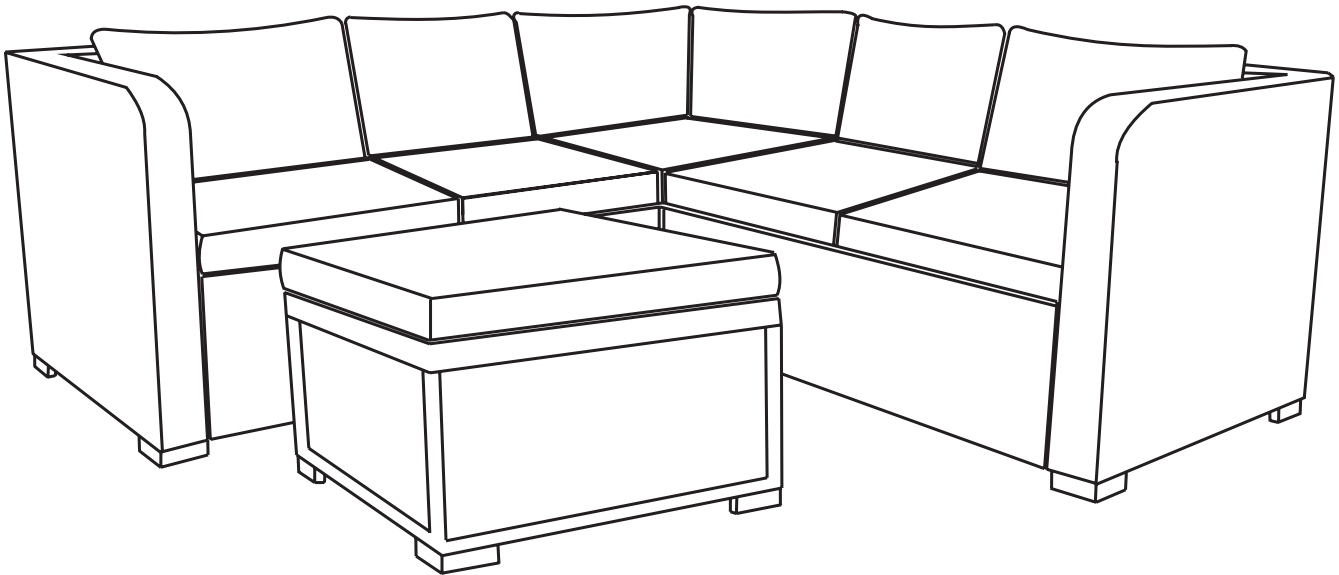


## USE AND CARE GUIDE

---

### GRAND ISLE SECTIONAL 4PC SECTIONAL



Questions, problems, missing parts? Before returning to the store,  
call Hampton Bay Customer Service  
8 a.m. - 7 p.m., EST, Monday – Friday, 9 a.m. – 6 p.m., EST, Saturday

**1-855-HD-HAMPTON**

**HAMPTONBAY.COM**

---

#### **THANK YOU**

*We appreciate the trust and confidence you have placed in Hampton Bay through the purchase of this sectional set. We strive to continually create quality products designed to enhance your home. Visit us online to see our full line of products available for your home improvement needs. Thank you for choosing Hampton Bay!*

# Table of Contents

Table of Contents .....	2	Pre-Installation .....	3
THD - TOC2 .....	2	Hardware Included .....	3
Safety Information .....	2	Package Contents .....	4,6,8,10
What is covered. ....	3	Installation .....	5,7,9,11,12
What is not covered .....	3	Care & Cleaning .....	13
Warranty .....	3	Service Parts .....	14

## Important Safety Instructions

### SAVE THESE INSTRUCTIONS



**WARNING:** FUELS USED IN LIQUEFIED PROPANE GAS APPLIANCES, AND THE PRODUCTS OF COMBUSTION OF SUCH FUELS, CAN EXPOSE YOU TO CHEMICALS INCLUDING BENZENE, WHICH IS KNOWN TO THE STATE OF CALIFORNIA TO CAUSE CANCER AND CAUSE BIRTH DEFECTS OR OTHER REPRODUCTIVE HARM. For more information go to: [www.P65Warnings.ca.gov](http://www.P65Warnings.ca.gov).



**WARNING:** FUELS USED IN WOOD OR CHARCOAL BURNING APPLIANCES, AND THE PRODUCTS OF COMBUSTION OF SUCH FUELS, CAN EXPOSE YOU TO CHEMICALS INCLUDING CARBON BLACK, WHICH IS KNOWN TO THE STATE OF CALIFORNIA TO CAUSE CANCER, AND CARBON MONOXIDE, WHICH IS KNOWN TO THE STATE OF CALIFORNIA TO CAUSE BIRTH DEFECTS OR OTHER REPRODUCTIVE HARM. For more information go to: [www.P65Warnings.ca.gov](http://www.P65Warnings.ca.gov).

### READ ALL INSTRUCTIONS BEFORE USE

To reduce the risk of injury to persons:

1. Close supervision is necessary when this furnishing is used by or near children, or disabled persons, if applicable.
2. Use this furnishing only for its intended use as described in these instructions. Do not use attachments not recommended by the manufacturer.

### SET UP YOUR FURNITURE PROPERLY

1. Ensure that all parts are assembled properly and fully tightened as per the instructions.
2. When placing in the desired location, ensure that all legs are resting on the same surface.

### EXAMINE YOUR FURNITURE

Examine occasionally to ensure that there are no loose parts. If loose parts are found, they must be re-tightened fully before additional use.

### OBERVE WEIGHT LIMITS

The weight limits for the following products are listed below:

- |  |   |
|--|---|
| <input type="checkbox"/> Chair: 300 lbs        | <input type="checkbox"/> Sofa: 700 lbs          |
| <input type="checkbox"/> Swivel Chair: 300 lbs | <input type="checkbox"/> Rocking Chair: 300 lbs |
| <input type="checkbox"/> Loveseat: 500 lbs     | <input type="checkbox"/> Chaise Lounge: 300 lbs |
| <input type="checkbox"/> Ottoman: 150 lbs      | <input type="checkbox"/> Dining Table: 100 lbs  |
| <input type="checkbox"/> Table: 50 lbs         | <input type="checkbox"/> Dining Chair: 200 lbs  |



**CAUTION:** If you overload your furniture, injuries can occur.

# Warranty

## TWO YEAR FRAME, WEAVE AND FABRIC LIMITED WARRANTY

### WHAT IS COVERED

We warrant the frame, weave and fabric to be free of manufacturing defects to the original purchaser for two years. For glass table top we warrant 30 days from the date of purchase.

### WHAT IS NOT COVERED

This warranty does not cover commercial use, hardware, acts of nature, fire, freezing and abusive use. In addition, purchased parts are not covered under this warranty.

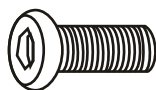
We reserve the right to make substitutions with similar merchandise, if the model in question is no longer in production. Contact the Customer Service Team at 1-855-HD-HAMPTON or visit [www.Hamptonbay.com](http://www.Hamptonbay.com).

# Pre-Installation

## PLANNING INSTALLATION

To prevent damage, place all parts on a soft surface during assembly. Remove all protective caps before beginning assembly.

## HARDWARE INCLUDED



AA



BB



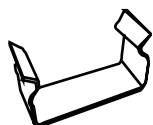
CC



DD



EE

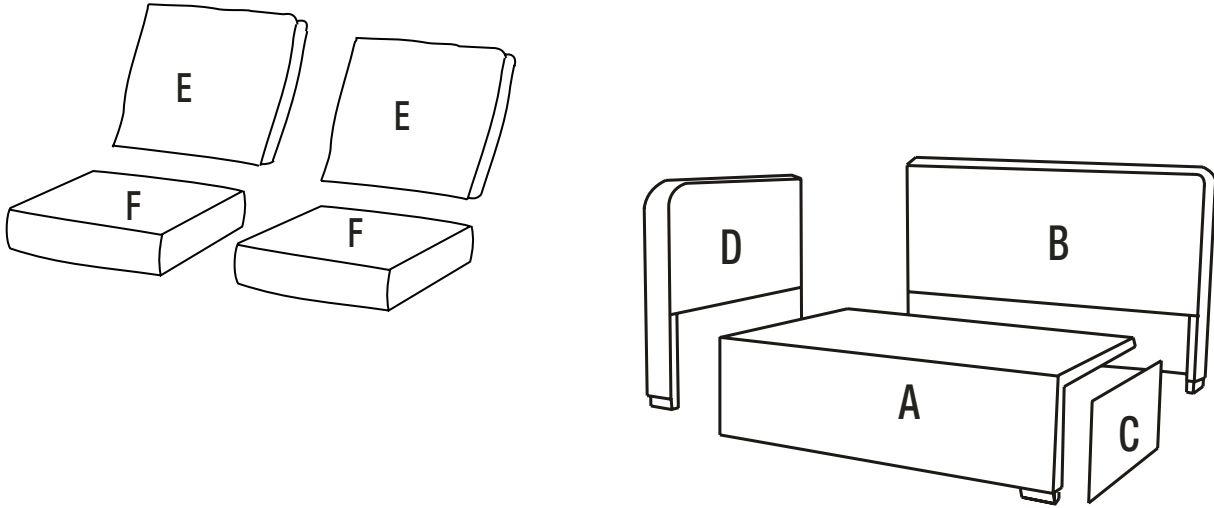


FF

Part	Description	Quantity
AA	Bolt ( $\phi$ 8x35mm)	24
BB	Bolt ( $\phi$ 8x20mm)	6
CC	Washer ( $\phi$ 8mm)	27
DD	Cap for bolt ( $\phi$ 8mm)	27
EE	Hex wrench ( 5mm)	1
FF	U Shape connector	2

# Pre-Installation(Right arm loveseat 65-18243 Ra)

## PACKAGE CONTENTS

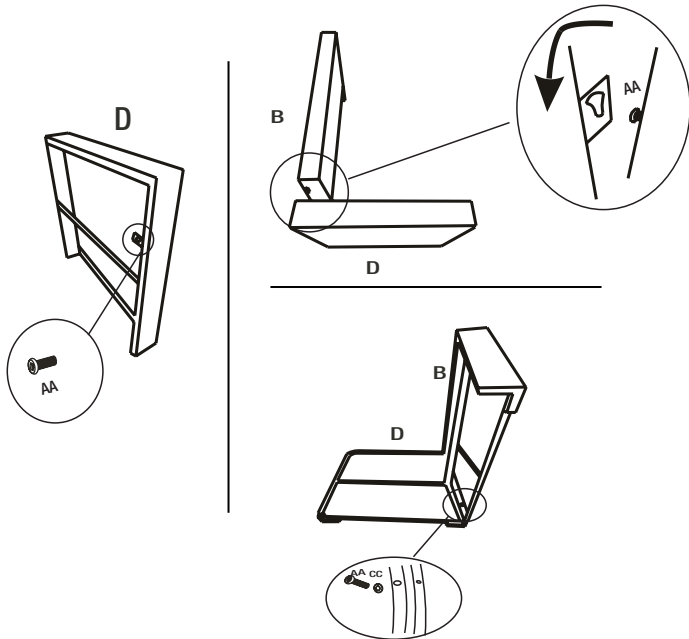


Part	Description	Quantity
A	Seat	1
B	Back	1
C	Side skirt	1
D	Right arm	1
E	Back cushion	2
F	Seat cushion	2

# Installation

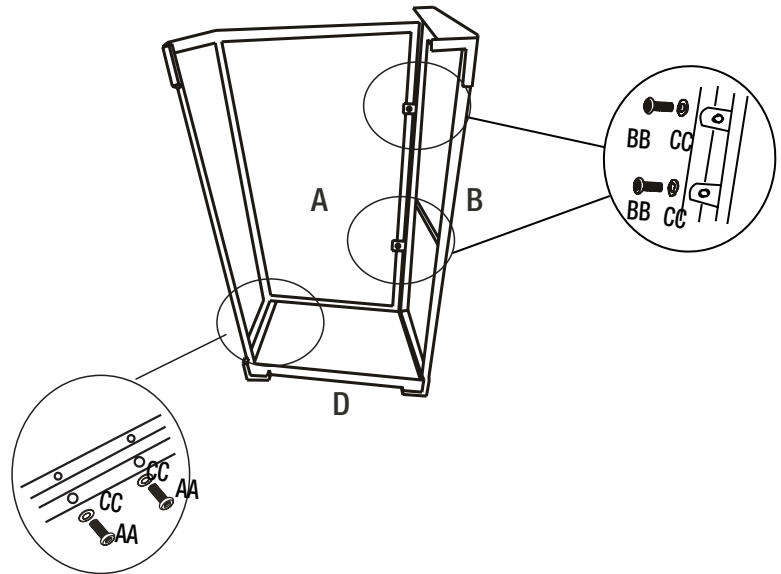
## 1 Attaching right arm

- Place the right arm (D) on a soft surface, fasten with bolt (AA).
- Attach the back (B) to the right arm (D), fasten with bolts (AA) with washers (CC), and fasten with bolts (AA) with washers (CC) as illustrated. Tighten half way using the Hex wrench (EE).



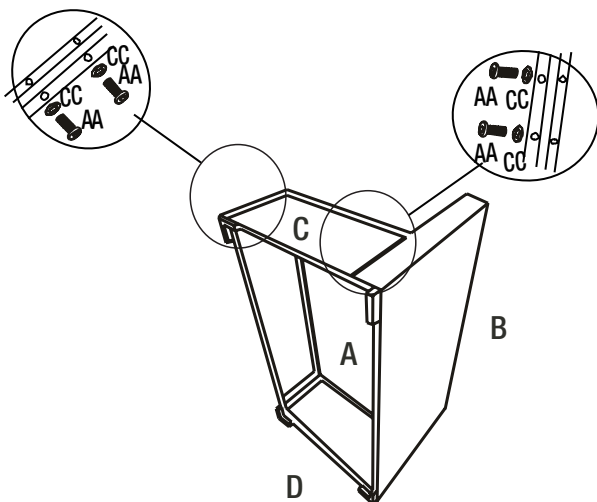
## 2 Attaching the seat

- Attach seat (A) to the back (B), fasten bolts (AA) and bolt (BB) washers (CC).
- Tighten half way using the Hex wrench (EE).



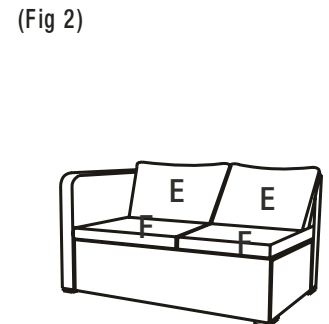
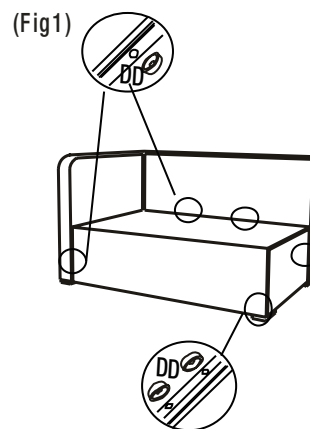
## 3 Adding the skirt

- Attach the side skirt (C) to the seat (A) by aligning holes on the seat (A) with the holes inserting bolts (AA) with washers (CC). Tighten half way using the Hex wrench (EE).



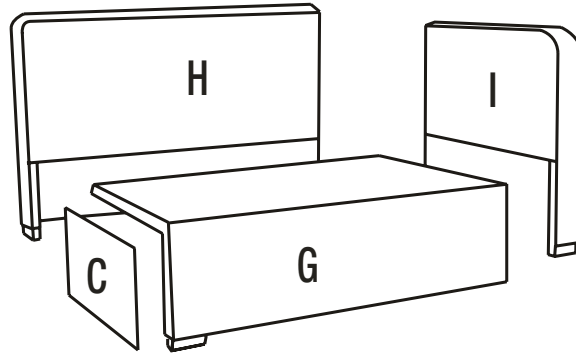
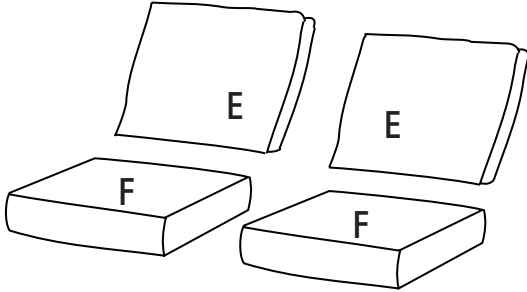
## 4 Completing the assembly

- Place the loveseat right side up. Fully tighten all the bolts (AA) and bolts (BB) with the Hex wrench (EE) and cover with the bolt caps (DD). (Fig 1)
- Adjust leg levelers as required. Place the seat cushion (F) and back cushion (E) on the loveseat. This loveseat is now ready for your enjoyment. (Fig 2)



# Pre-Installation(Left arm loveseat 65-18243 La)

## PACKAGE CONTENTS

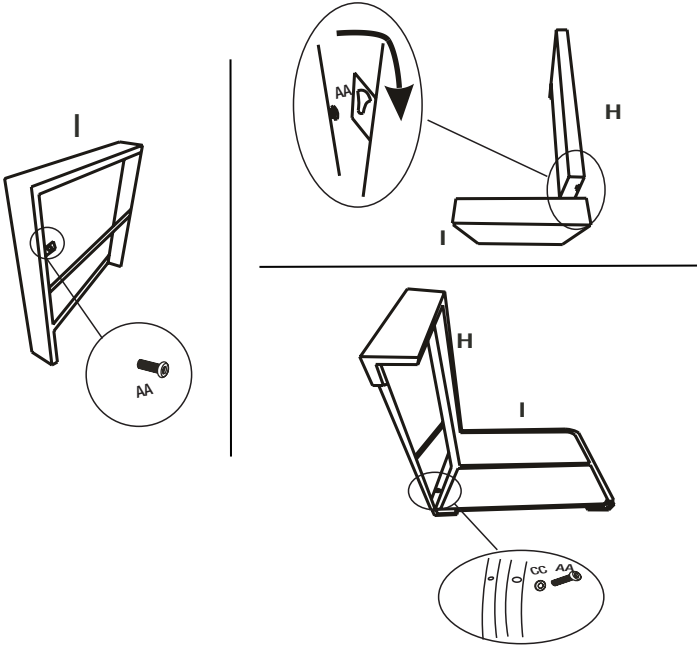


Part	Description	Quantity
G	Seat	1
H	Back	1
C	Side skirt	1
I	Left arm	1
E	Back cushion	2
F	Seat cushion	2

# Installation

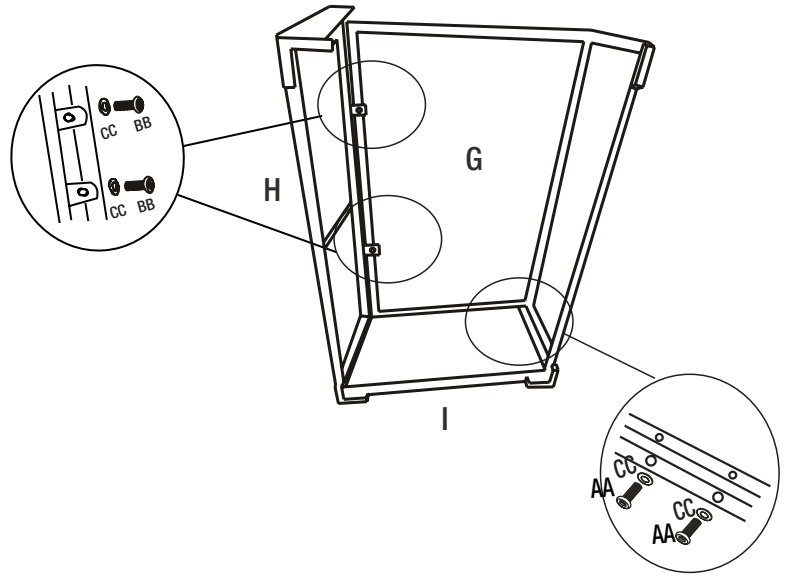
## 1 Attaching left arm

- Place the right arm (I) on a soft surface, fasten with bolt (AA).
- Attach the back (H) to the left arm (I), fasten with bolts (AA) with washers (CC), and fasten with bolts (AA) with washers (CC) as illustrated. Tighten half way using the Hex wrench (EE).



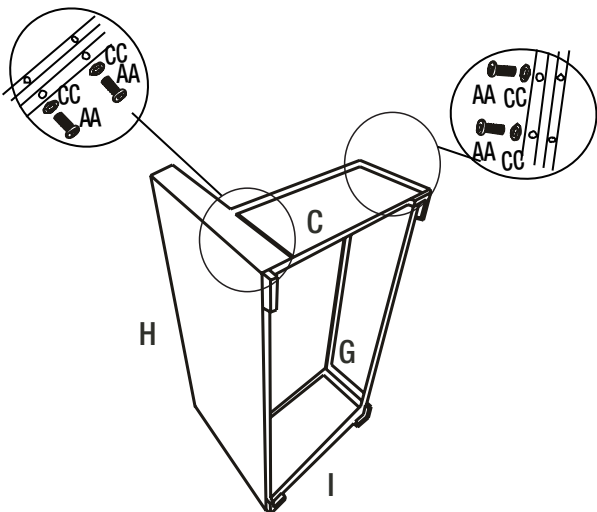
## 2 Attaching the seat

- Attach seat (G) to the back (H), fasten bolts (AA) and bolt (BB) washers (CC).
- Tighten half way using the Hex wrench (EE).



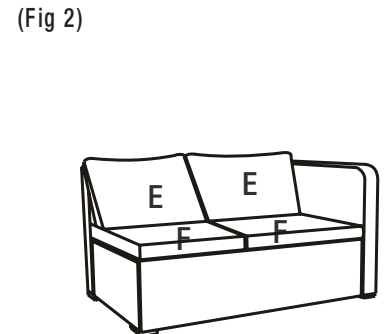
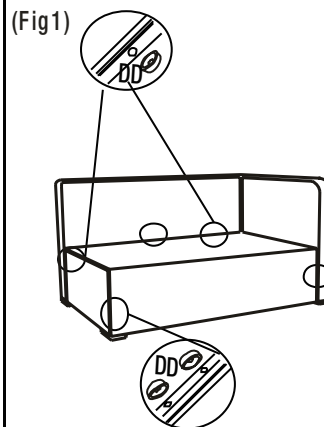
## 3 Adding the skirt

- Attach the side skirt (C) to the seat (G) by aligning holes on the seat (G) with the holes inserting bolts (AA) with washers (CC). Tighten half way using the Hex wrench (EE).



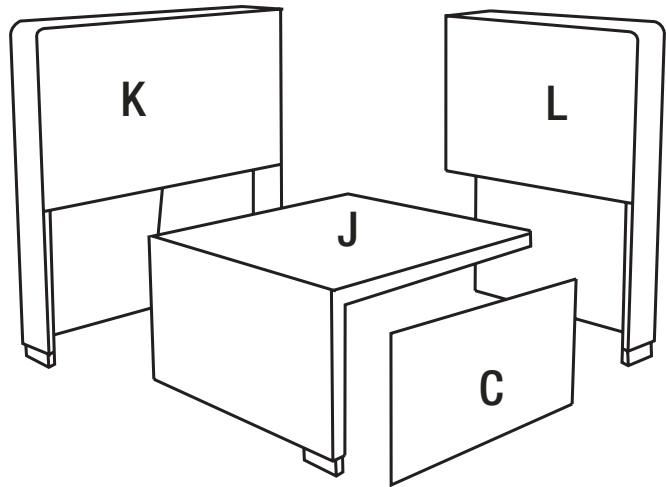
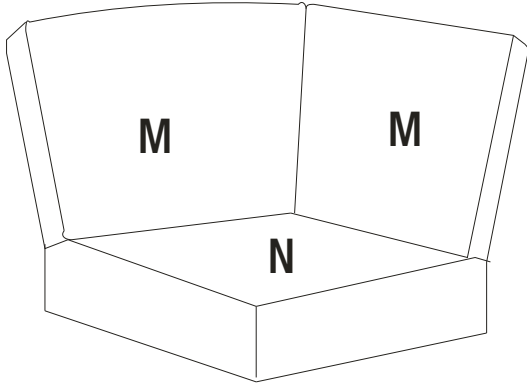
## 4 Completing the assembly

- Place the loveseat right side up. Fully tighten all the bolts (AA) and bolts (BB) with the Hex wrench (EE) and cover with the bolt caps (DD). (Fig 1)
- Adjust leg levelers as required. Place the seat cushion (F) and back cushion (E) on the loveseat. This loveseat is now ready for your enjoyment. (Fig2)



# Pre-Installation(Corner 65-18243 Cr)

## PACKAGE CONTENTS



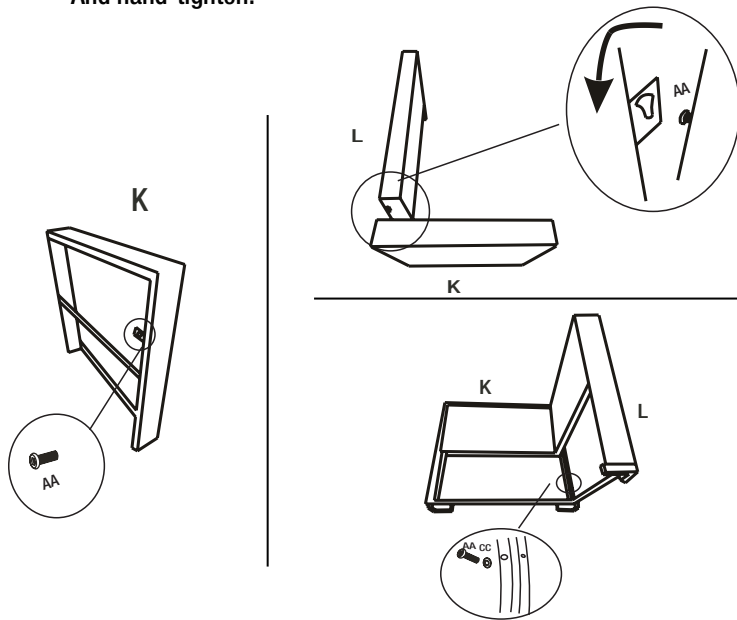
Part	Description	Quantity
J	Seat	1
K	Right back	1
L	Left back	1
C	Side skirt	1
M	Back cushion	2
N	Seat cushion	1



# Installation

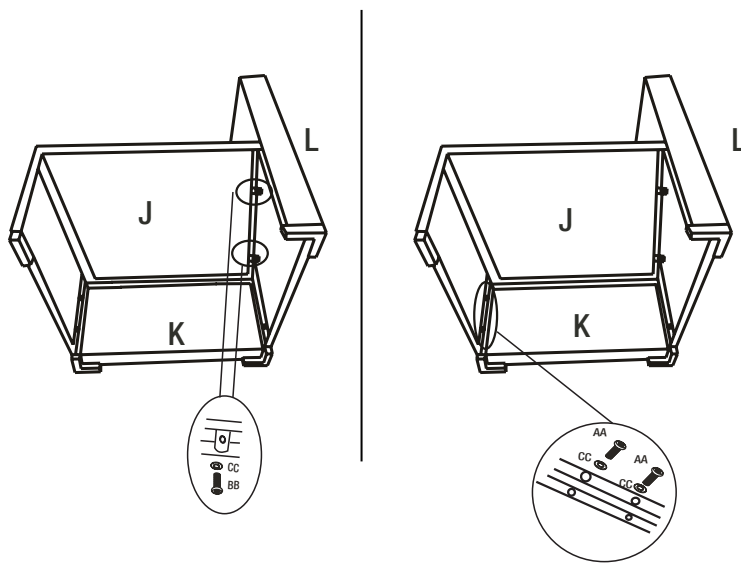
## 1 Attaching the back

- Place the right back (K) on a soft surface, fasten with bolt (AA).
- Place the right back (K) and left back (L) on a soft surface as shown.
- Fix bolts (AA) with washers (CC) on the back legs. And hand-tighten.



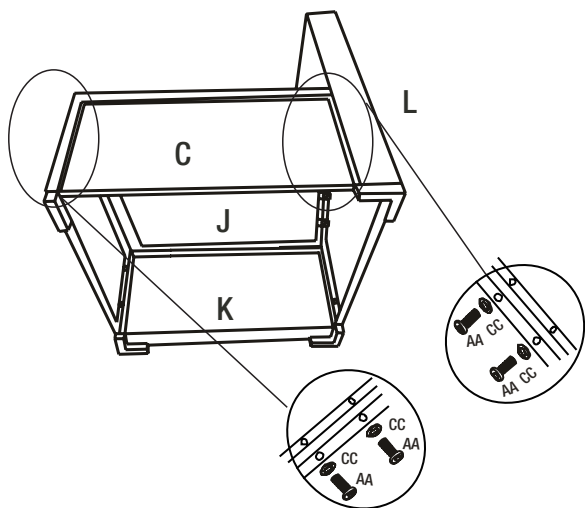
## 2 Attaching the seat

- Place the assembled back on the floor as shown.
- Put seat (J) onto the backs, attached the back (L) to seat (J) with bolts (BB) and washers (CC). Then attached the back (K) to seat (J) with bolts (AA) and bolts (BB) and washer (CC). Tighten half way using the Hex wrench (EE).



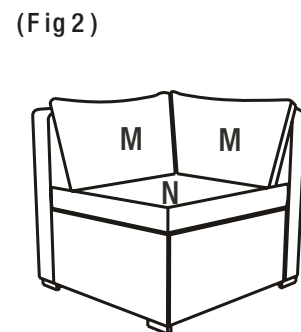
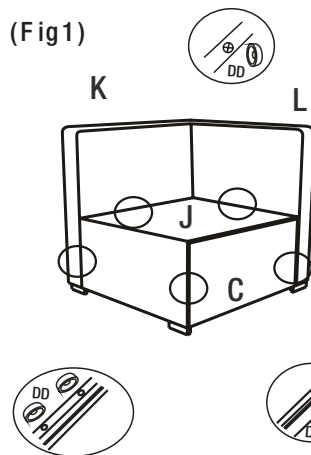
## 3 Attaching the side skirt

- Place side of skirt (C) on the assembled parts, attached with the bolts (AA) and washer (CC). Tighten half way using the Hex wrench (EE).



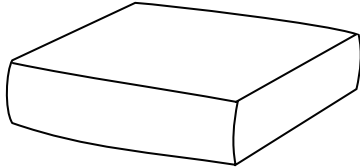
## 4 Completing the assembly

- Place the chair right side up.
- Fully tighten all the bolts (AA) and bolts (BB) with the Hex wrench (EE) and cover with the bolt caps (DD). (Fig 1)
- Adjust leg levelers as required.
- Place the seat cushion (N) and back cushions (M) on the chair. This chair is now ready for your enjoyment. (Fig 2)

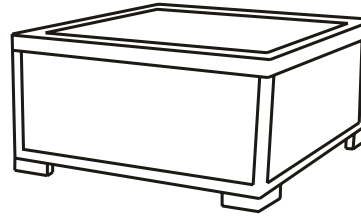


PACKAGE CONTENTS

P



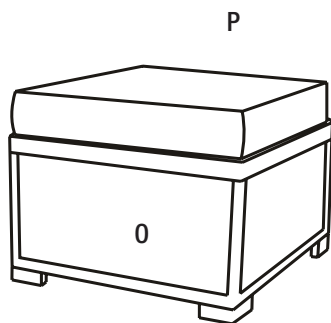
0



Part	Description	Quantity
0	Cushioned top table	1
P	Cushion	1

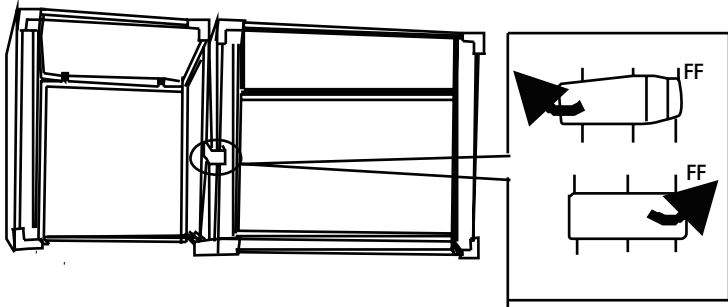
## 1 Completing the assembly

- Place the cushion (P) on the cushioned top table (O). This cushioned top table is now ready for your enjoyment.



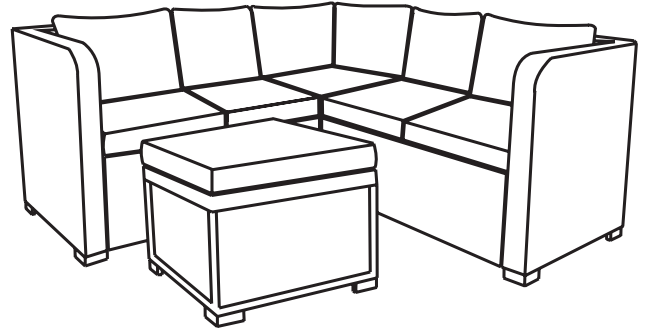
## 1 Attaching U shape connector

- As photo shown, place one side of the clip to sectional base first, and press another side of the clip to sectional base as illustrated.



## 2 Completing the assembly

- The sectional is now ready for your enjoyment.



## Care and Cleaning

---

- Before using, wipe with a clean, dry cloth. Do not use bleach or solvents. When not in use, store furniture in a cool, dry place. If your set includes cushions or mesh fabric, they may be cleaned by hand with a mild solution of soap and water.
- Rinse cushion thoroughly and allow to drip dry. Do not machine wash or tumble dry, as cushions may shrink.
- Do not use bleach or solvents on fabrics. When cleaning the table top make sure to use a soft, clean cloth that does not bleed color as well.

## Care and Maintenance

---

- Wash the frame with a mild solution of soap and water, rinse with clean water, and dry thoroughly.
- Cushions may also be cleaned by hand with a mild solution of soap and water. Rinse the cushion cover thoroughly and allow to drip dry. The back cushion and pillow should be spot cleaned with a soft cloth. Do not machine wash or tumble dry, as cushions may shrink. Do not use bleach or solvents on fabrics. Never use cleaners that contain acid or abrasive materials.
- Use and operation: To improve the lifespan of this furniture, cover when not use and store in a dry place in the off season.

## MODEL TYPE

Part	Description	Quantity
A	Seat	1
B	Back	1
C	Side skirts	3
D	Right arm	1
E	Back cushions	4
F	Seat cushions	4
G	Seat	1
H	Back	1
I	Left arm	1
J	Seat	1
K	Right back	1
L	Left back	1
M	Back cushions	2
N	Seat cushion	1
O	Cushioned top table	1
P	Cushion	1

# HAMPTON BAY®

Questions, problems, missing parts? Before returning to the store,  
call Hampton Bay Customer Service  
8 a.m. - 7 p.m., EST, Monday – Friday, 9 a.m. – 6 p.m., EST, Saturday

**1-855-HD-HAMPTON**

**HAMPTONBAY.COM**

Retain this manual for future use.