

# STORAGE CABINET

**MODEL No. KT-613-3072**

To ensure that you have a speedy and pleasant time assembling your unit  
PLEASE READ THE INSTRUCTIONS CAREFULLY BEFORE BEGINNING  
ASSEMBLY.

If you need assistance, DO NOT CALL THE STORE, call us. Our Customer Service  
Group is here to help you.

CALL MONDAY-FRIDAY, BETWEEN 8:00AM TO 3:00PM PACIFIC TIME.

Please be sure to follow the construction order in the Assembly Manual and complete  
each step before you proceed  
to the next step.

Call: USA

Plycraft Industries Inc.

2100 E. Slauson Ave.

Huntington Park, CA 90255

E-mail: [plycraft@ix.netcom.com](mailto:plycraft@ix.netcom.com)

Toll Free Telephone # 1-800-765-9035

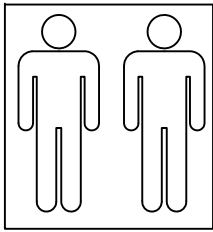
Telephone# 1-323-587-8101

Fax# 1-323-587-8220

## TOOLS REQUIRED:

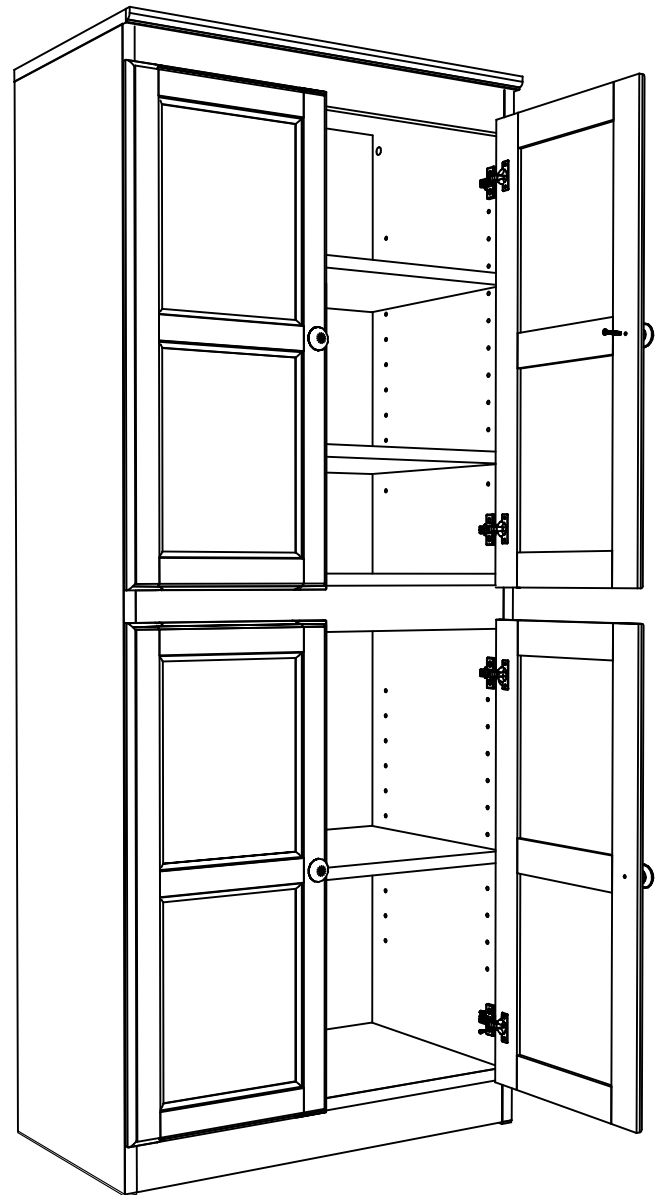
Phillips Screwdriver (Not Included)

Rubber Mallet (Not Included)



## CAUTION:

Must have 2 people



If you need assistance DO NOT CALL THE STORE. call us. Our Customer Service Group is here to help you.  
CALL MONDAY-FRIDAY between 8 AM and 3 PM PACIFIC TIME. Toll Free Telephone: 1-800- 765-9035

# PARTS



a) Top (1 pc.)



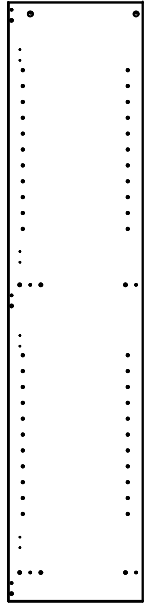
b) Bottom (1 pc.)



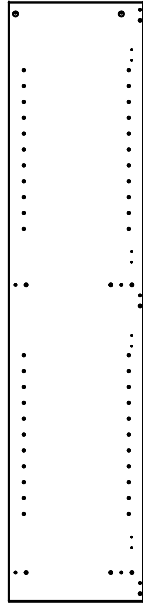
c) Fixed Shelf (1 pc.)



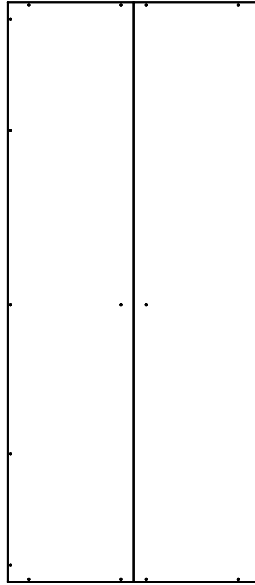
d) Adjustable Shelves (3 pcs.)



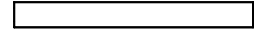
g) Left Side (1 pc.)



h) Right Side (1 pc.)



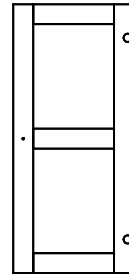
i) Back Panel (1 pc.)



e) Top Apron and Mid Apron (2 pcs.)



f) Bottom Apron (1 pc.)



j) Doors (4 pc.)

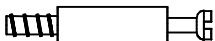
# HARDWARE



l) Wood Dowel 1 3/16" (24 pcs.)



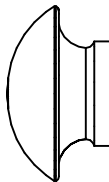
m) Cam lock (18 pcs.)



n) Metal Fastener (18 pcs.)



o) Shelf Support (12 pcs.)



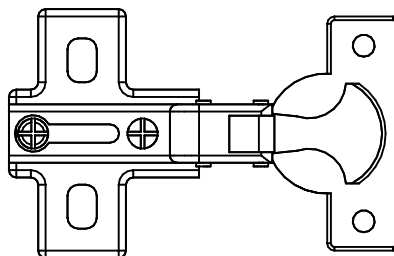
p) Wood Handles (4 pcs.)



q) Machine Screw 8/32 X 1" (4 pcs.)



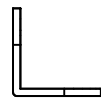
r) Screw 5 X 5/8" (21 pcs.)



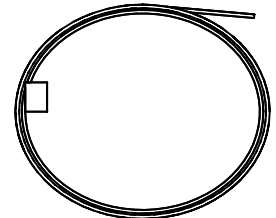
s) Euro Hinge (8 pcs.)



t) Hinge Screws 8 X 5/8" (32 pcs.)



u) Corner Brace (2 pcs.)



v) Nylon Restraint Strap (1 pc.)

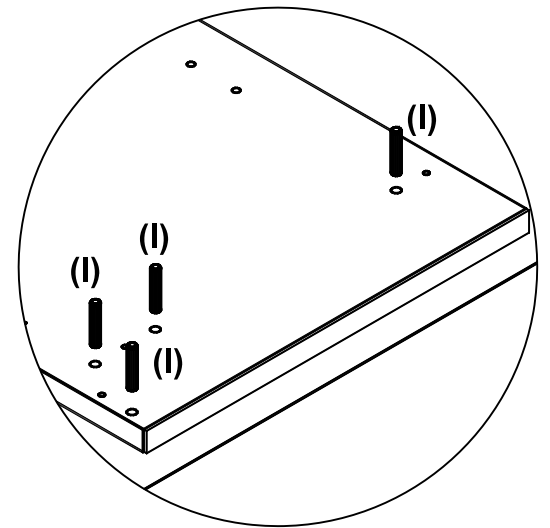
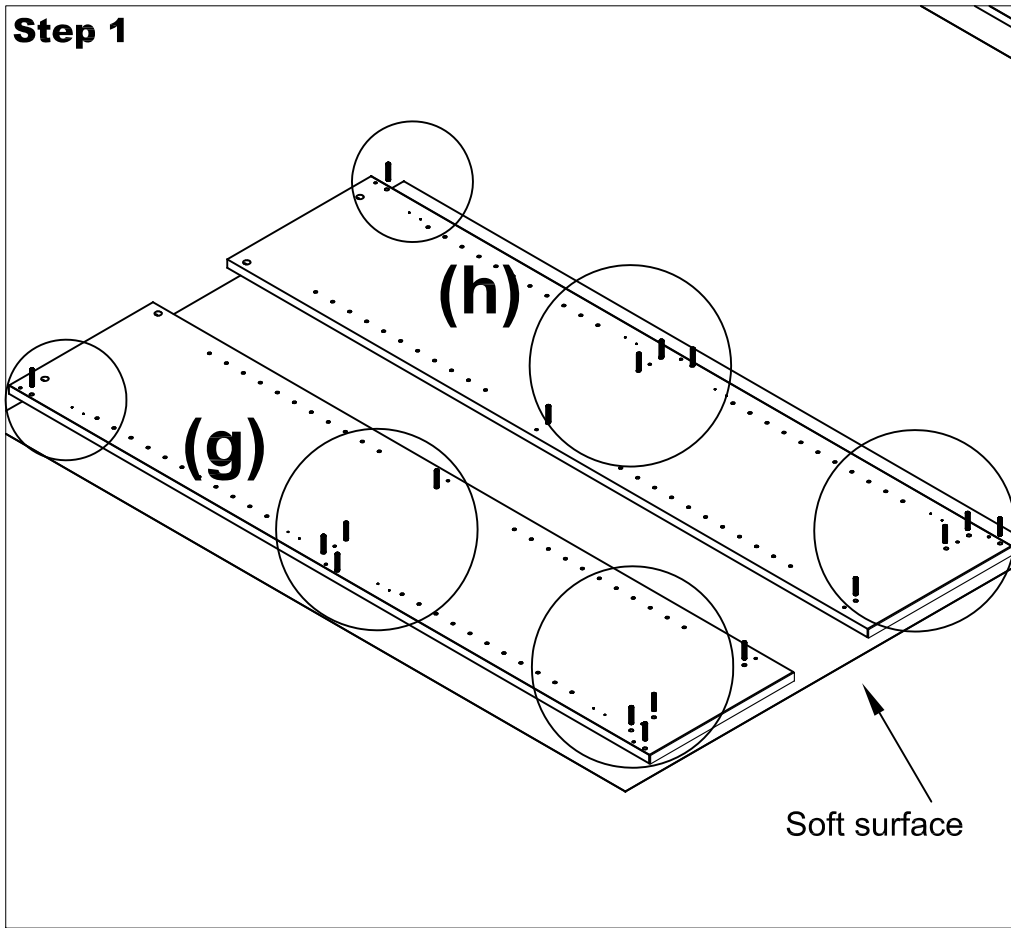


w) Plastic Anchor (1 pc.)



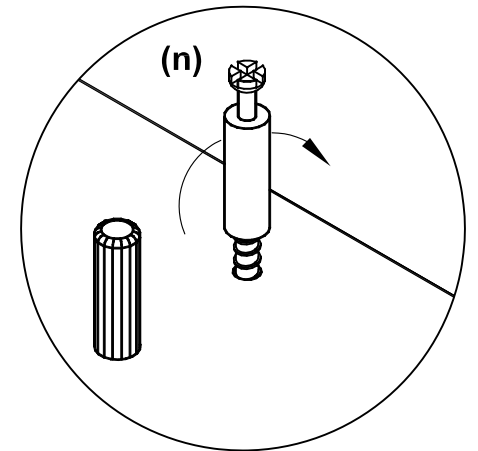
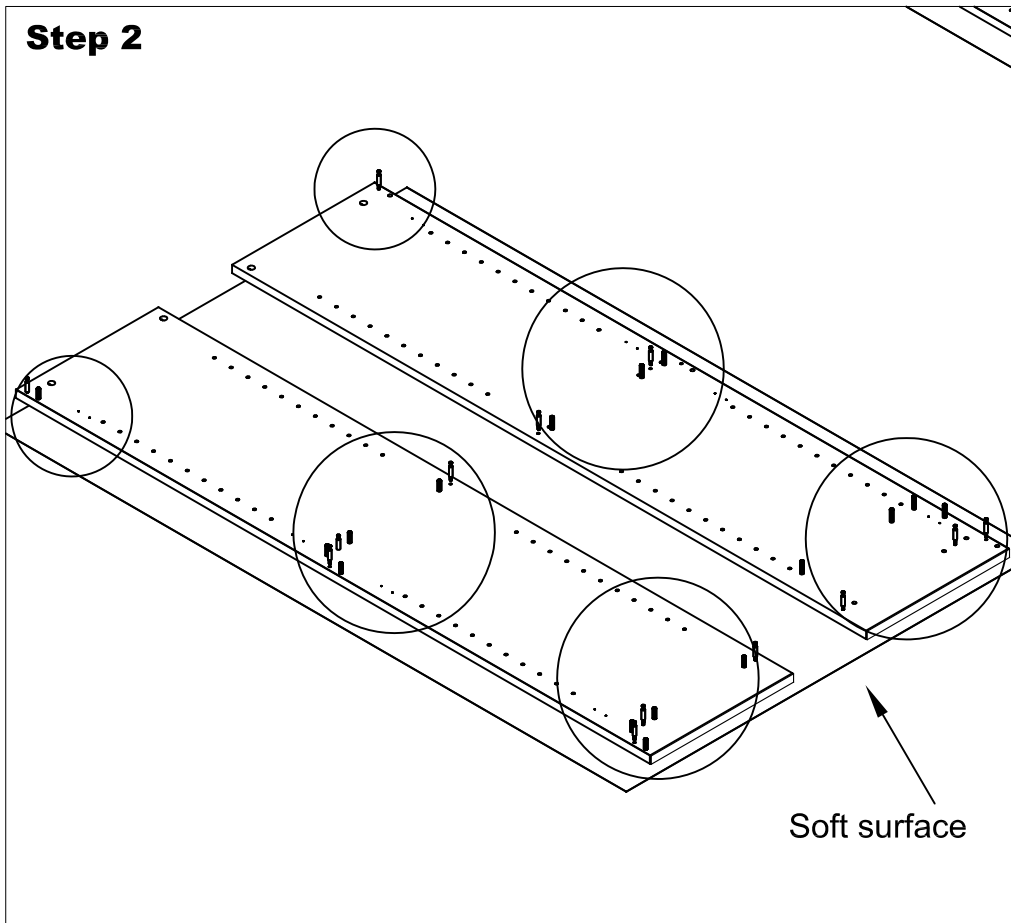
x) Screw 6 X 1 1/4" (1 pc.)

**Step 1**

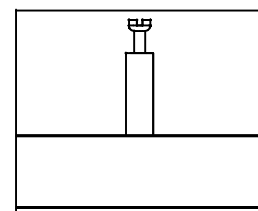


Insert 9-**Wood Dowels (I)** into each Side Panel.  
See diagram above.

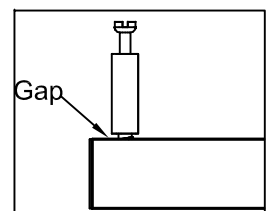
**Step 2**



Insert 7-**Metal Fasteners (n)** into each Side Panel.  
See Diagram above.  
**DO NOT OVER TIGHTEN**

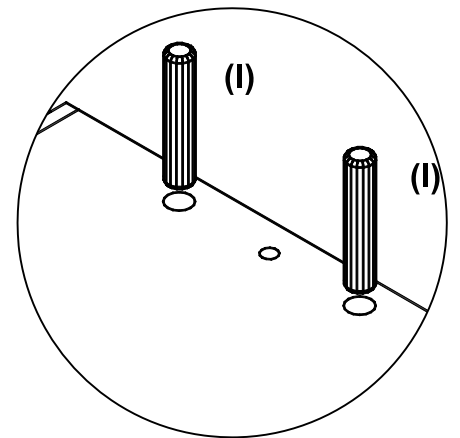
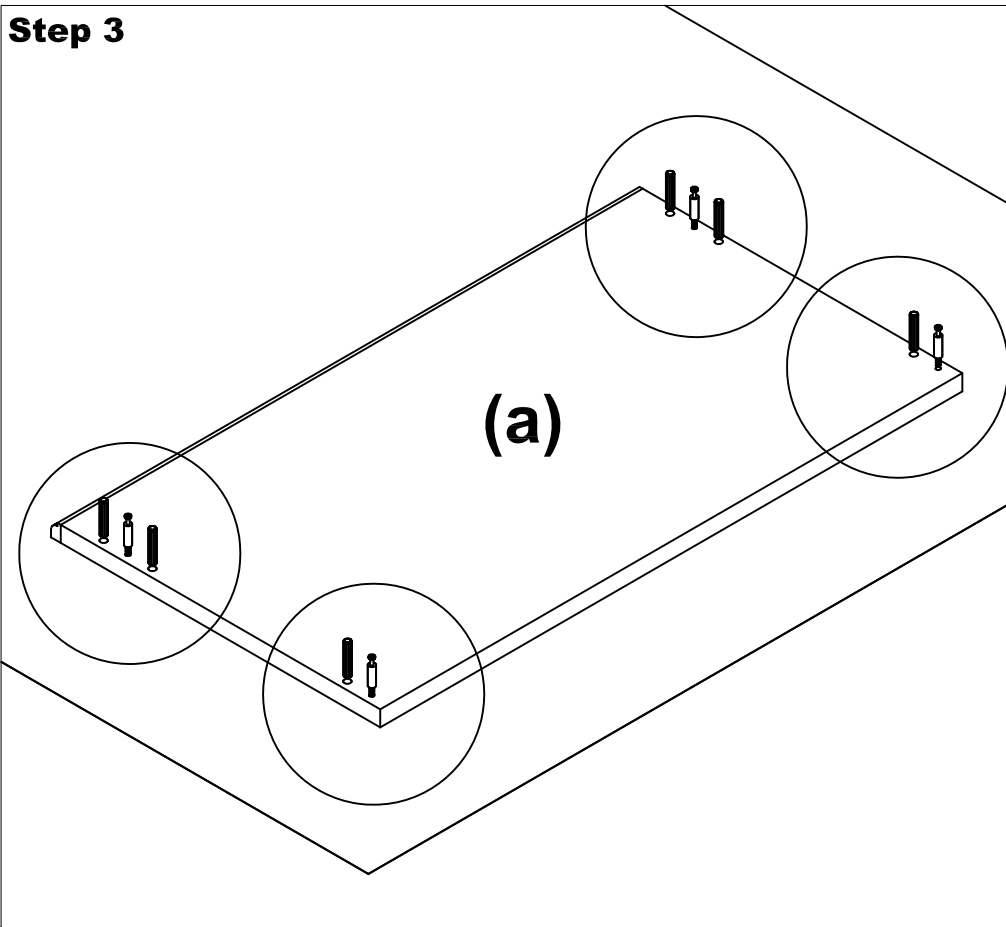


**GOOD**  
Metal Fasteners (n)  
must be **FLUSH**

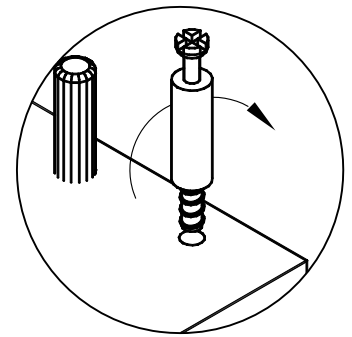


**WRONG**

**Step 3**



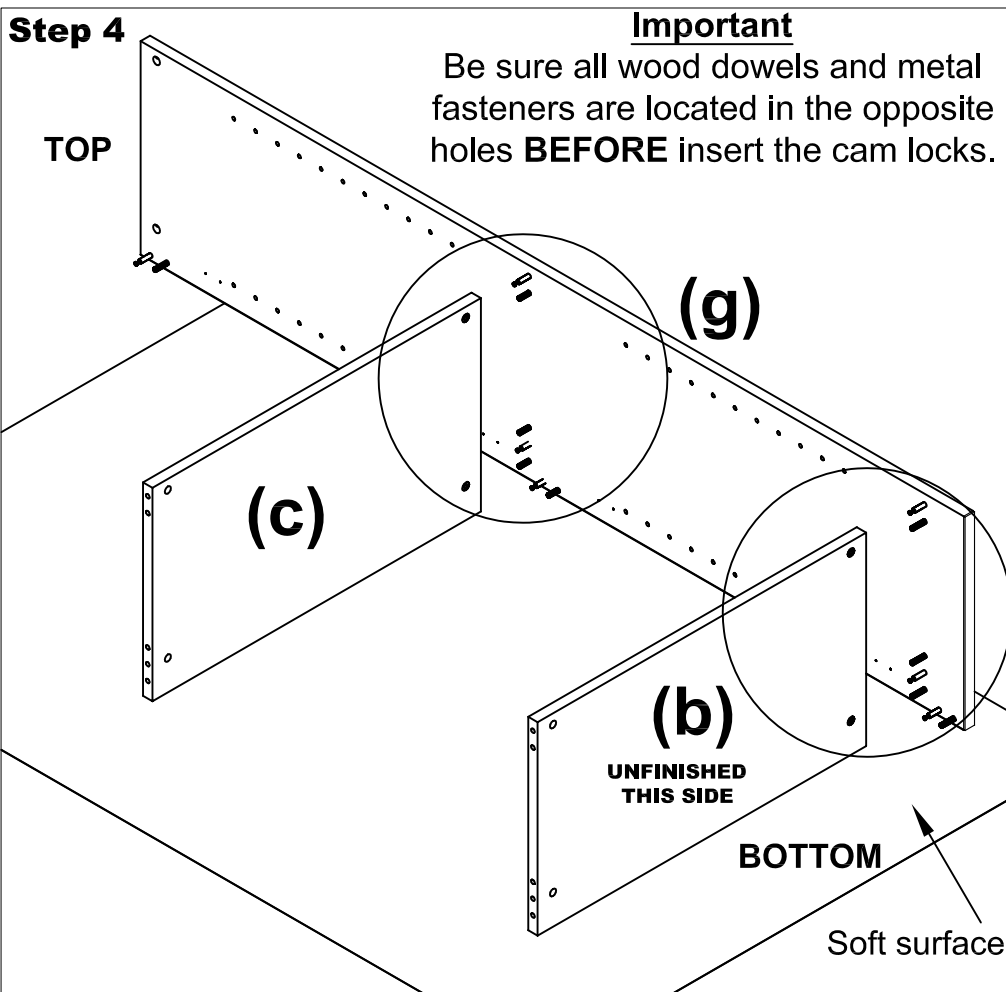
Insert 6-Wood Dowels (l) into Top (a). See diagram above.



Insert 4-Metal Fasteners (n) into Top. See Diagram above.

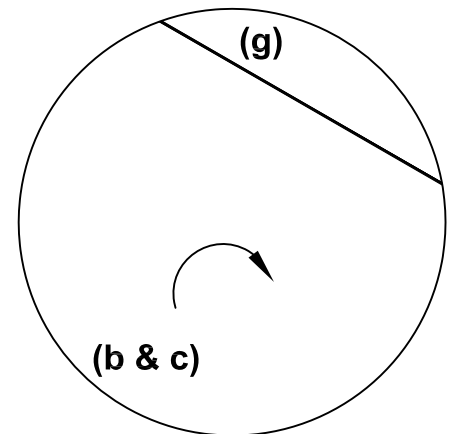
DO NOT OVER TIGHTEN

**Step 4**



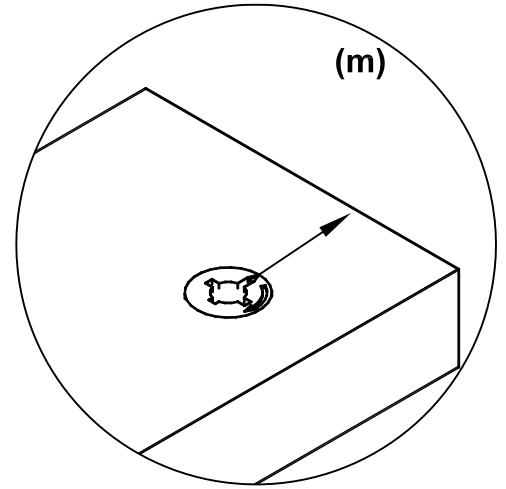
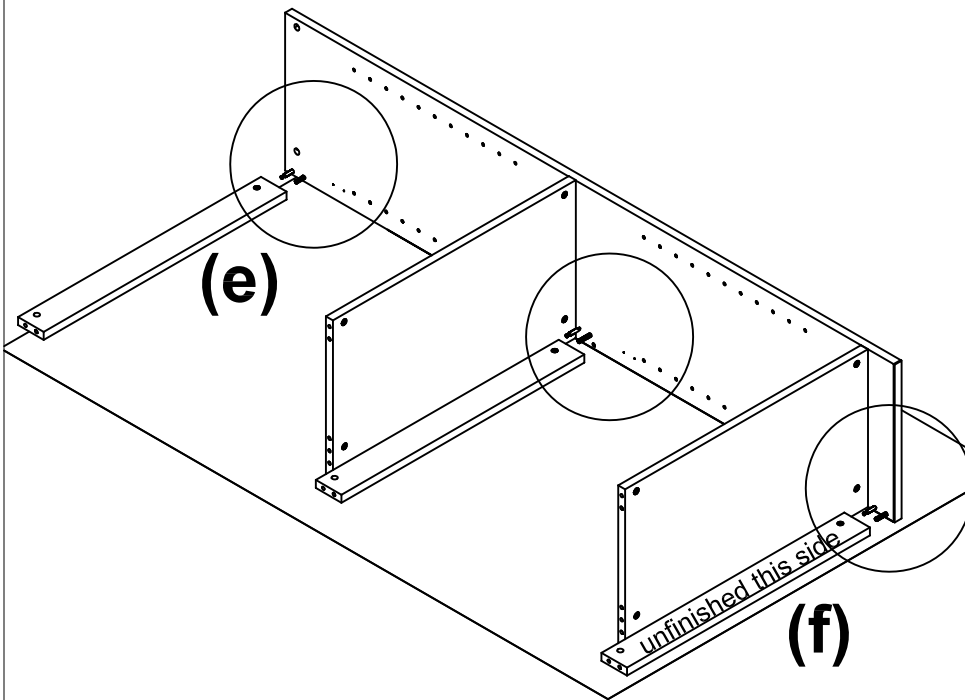
**Important**

Be sure all wood dowels and metal fasteners are located in the opposite holes **BEFORE** insert the cam locks.



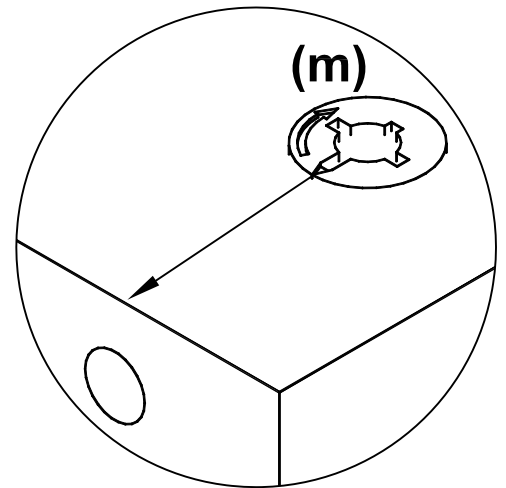
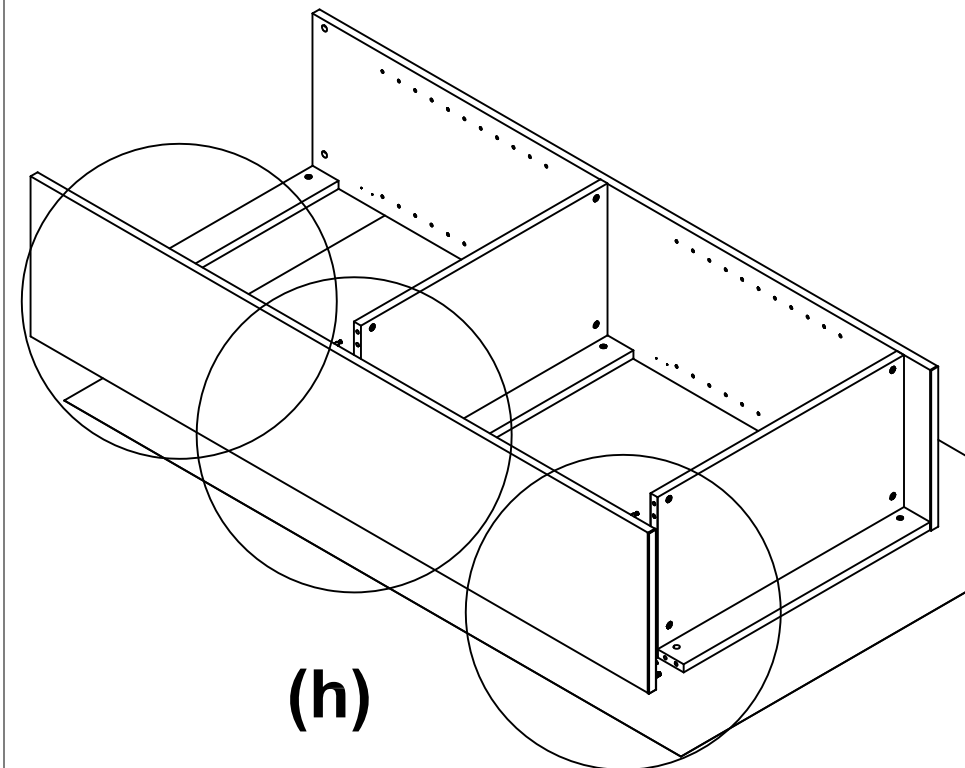
Insert 4-Cam Locks (m) into the large predrilled holes, point the arrow on the Cam in the direction of the side edge. Push the Cam into the hole. Then use a screwdriver, to turn each Cam approximately 1/2 turn in the direction of the arrow (clock-wise) to lock it in place (**Applies only on Fixed Shelf (c) and Bottom (b).**) See Diagram above.

### Step 5



Insert **3-Cam Locks (m)** into the large predrilled holes, point the arrow on the Cam in the direction of the side edge. Push the Cam into the hole. Then use a screwdriver, to turn each Cam approximately 1/2 turn in the direction of the arrow (clock-wise) to lock it in place. (Applies only on **Bottom apron (unfinished back side)(f)**, Mid apron (e) and Top Apron(e). See Diagram above.

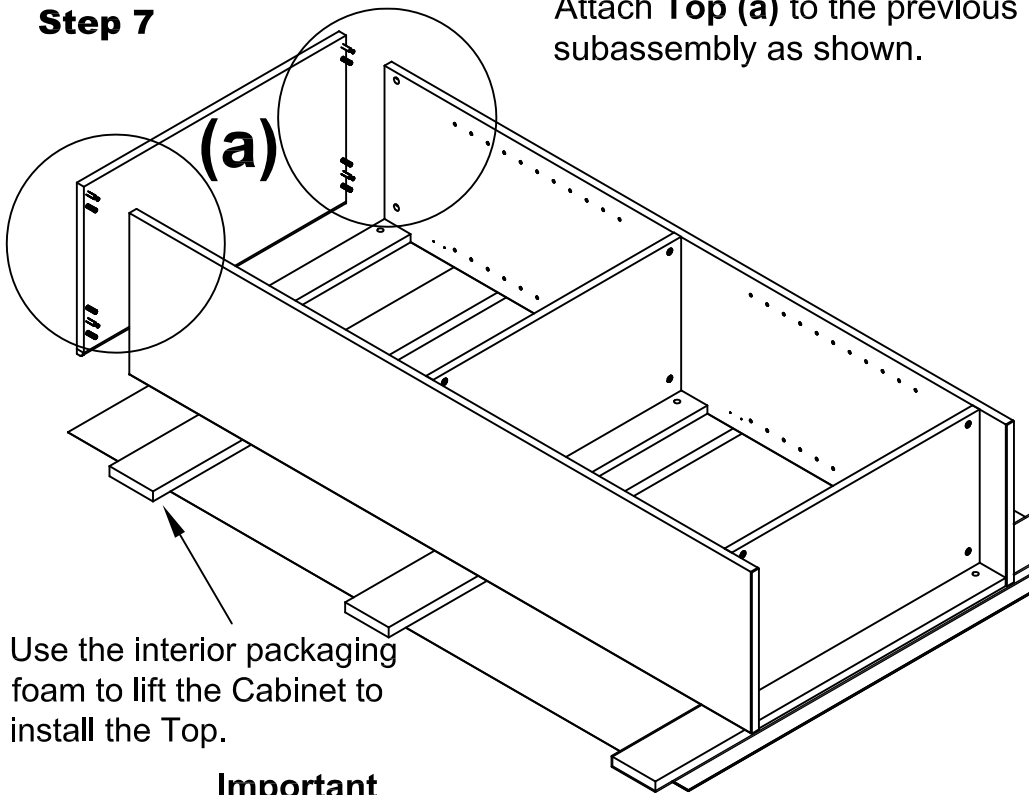
### Step 6



Insert **7-Cam Locks (m)** into the large predrilled holes, point the arrow on the Cam in the direction of the side edge. Push the Cam into the hole. Then use a screwdriver, to turn each Cam approximately 1/2 turn in the direction of the arrow (clock-wise) to lock it in place. (Applies only on Bottom (b), Fixed Shelf (c), Bottom apron (f), Top Apron and Mid Apron(e). See Diagram above.

### Step 7

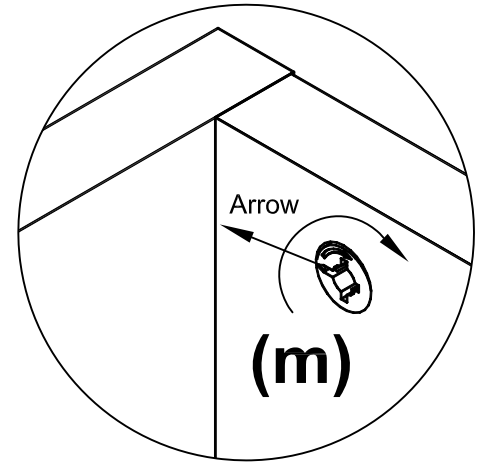
Attach **Top (a)** to the previous subassembly as shown.



Use the interior packaging foam to lift the Cabinet to install the Top.

#### **Important**

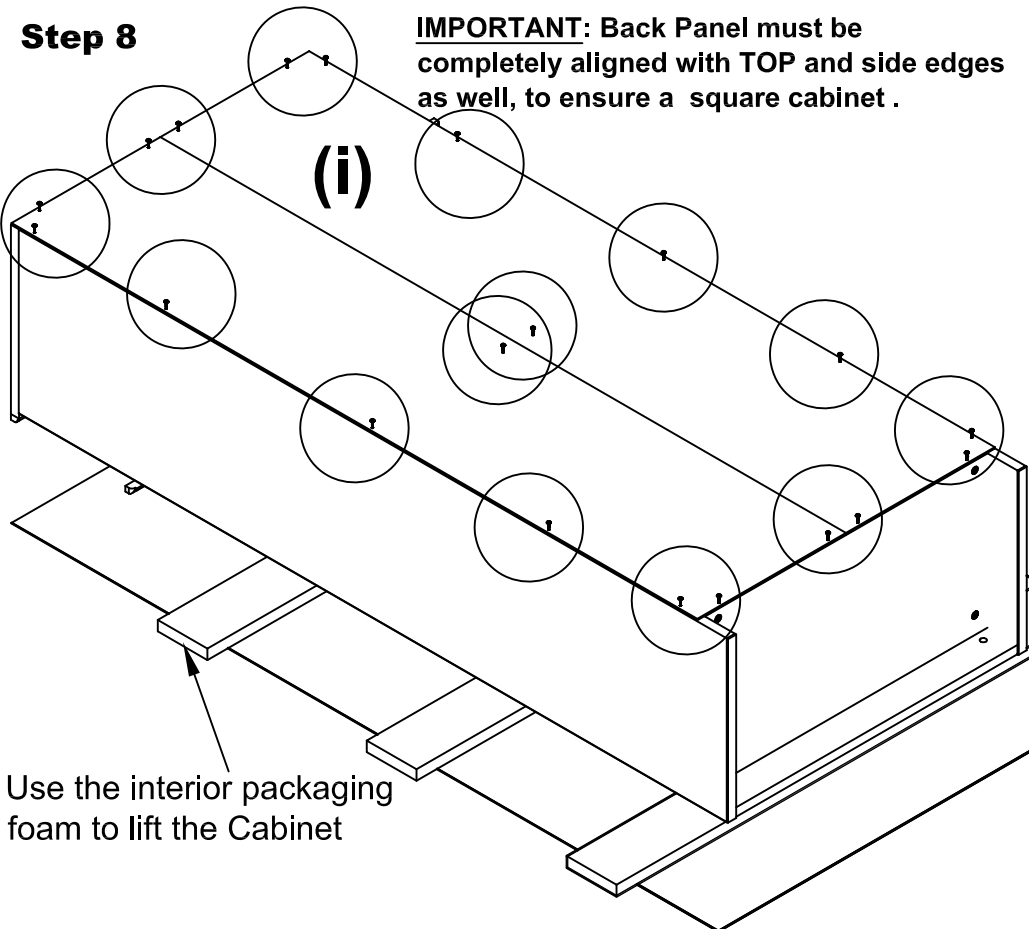
Be sure all wood dowels and metal fasteners are located in the opposite holes **BEFORE** insert the cam locks.



Insert **4-Cam Locks (m)** into the large predrilled holes, point the arrow on the Cam in the direction of the side edge. Push the Cam into the hole. Then use a screwdriver, to turn each Cam approximately 1/2 turn in the direction of the arrow (clock-wise) to lock it in place. See Diagram above

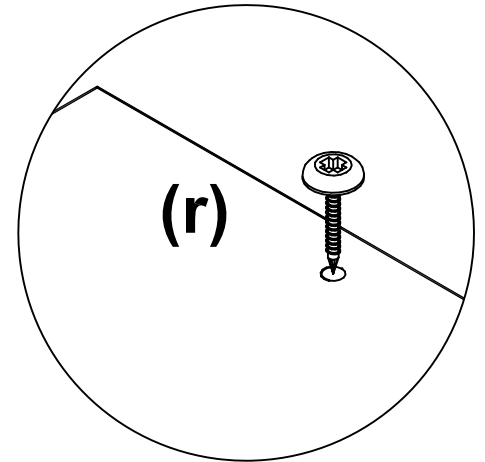
### Step 8

**IMPORTANT:** Back Panel must be completely aligned with TOP and side edges as well, to ensure a square cabinet .



Use the interior packaging foam to lift the Cabinet

**NOTE: DO NOT LIFT OR TILT ON SIDE OR EDGES. DO NOT LIFT UP THE STORAGE CABINET UNTIL BACK PANEL IS INSTALLED.**



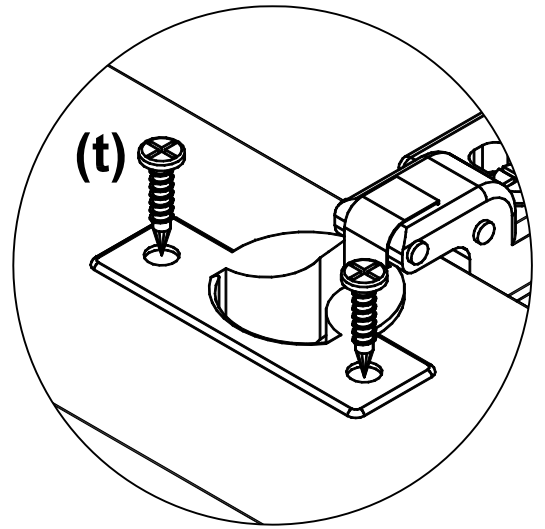
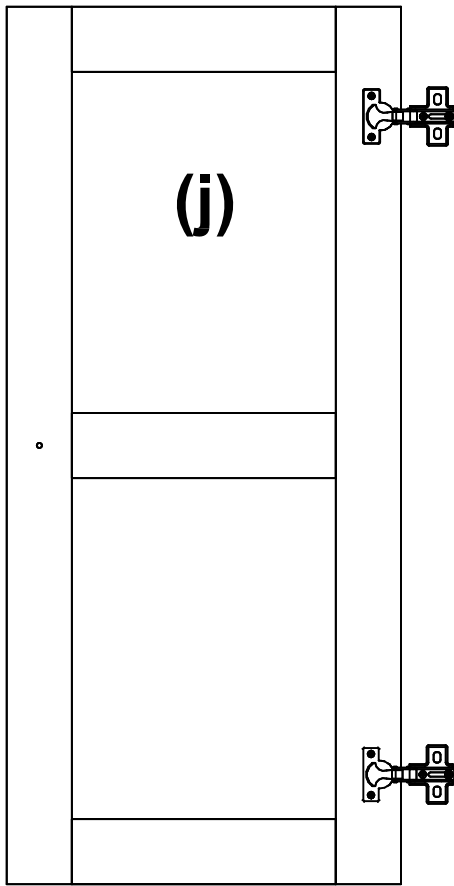
Lay the **BACK PANEL (i)** on the back edges of the Cabinet as shown. **Make sure the BACK PANELS unfinished side faces up.**

Position the **BACK PANEL (i)** flush with the top edge, make sure the **BACK PANEL (i)** does not overlap at the top corners.

Insert and screw 4 **Screws (r)** along the top edge of the **BACK PANELS**, then insert and screw 5 **Screws (r)** along one side edge to square the cabinet. When the cabinet is square insert and screw into the rest of the empty pre-drilled holes.

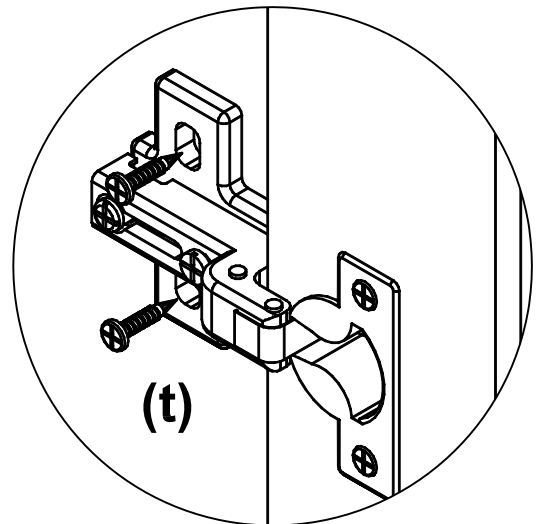
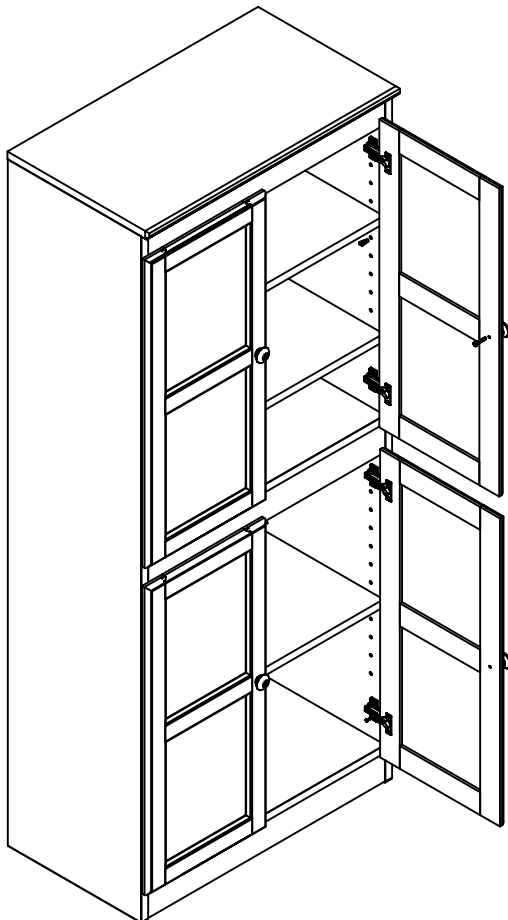
See Diagram above.

**Step 9**



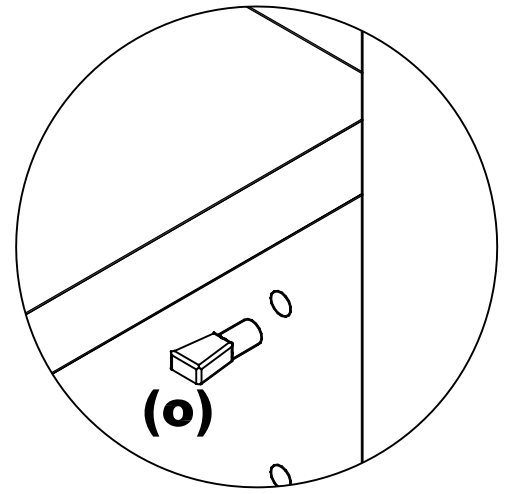
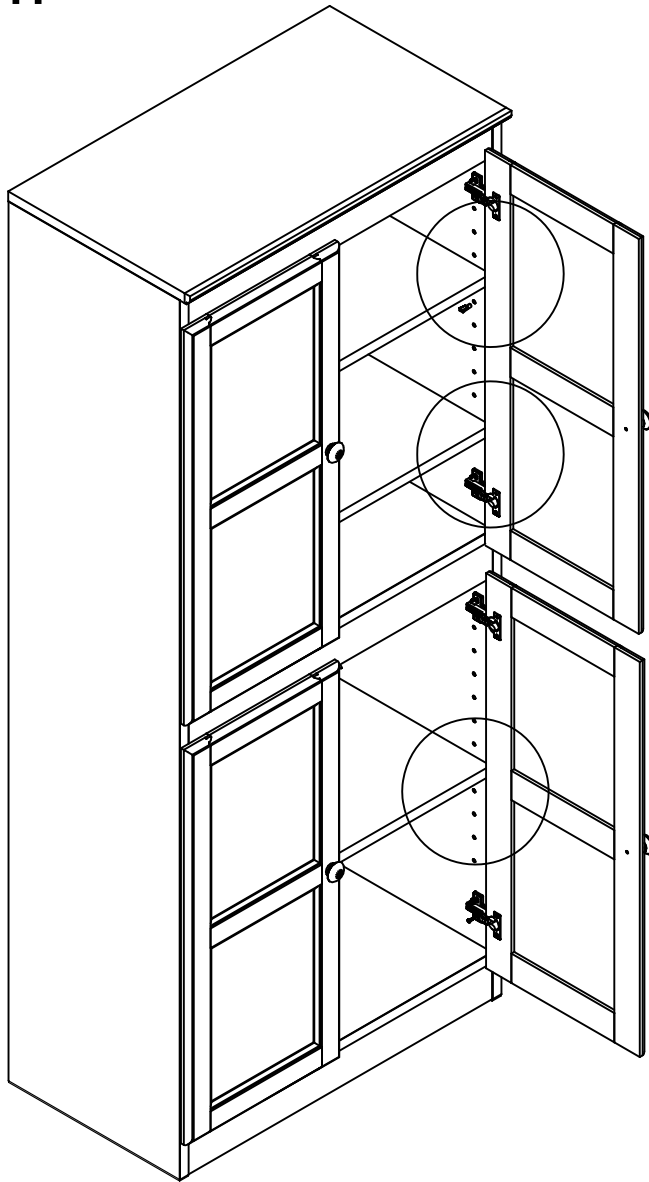
Insert **2 Screws 8 X 5/8" (t)** in each **Hinge (s)** as shown. See Diagram above.

**Step 10**



Attach each door with **4-Screws 8 X 5/8" (t)** use pre-drilled holes for guide as shown. See diagram Above.

## Step 11



Insert 12-Shelves Support (o) into Side holes in the position you decided then place the Adjustable Shelves (d).  
See Diagram above.

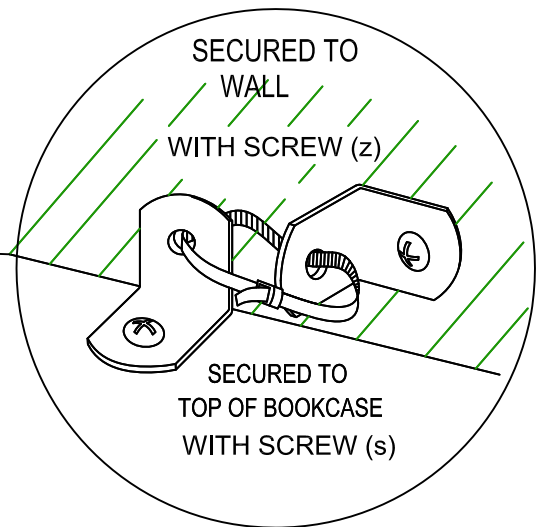
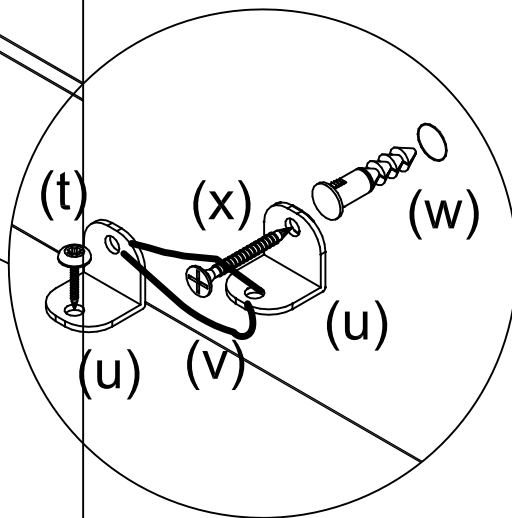
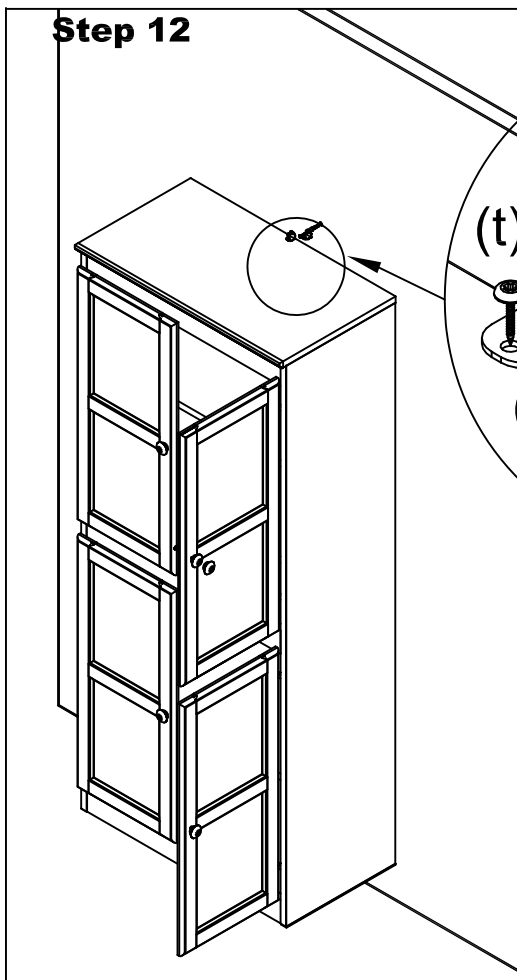
**IF NECESSARY ADJUST ONE SHELF SUPPORT BY ROTATING 180°**

**NOTE: For safety, it is recommended to place items on the Storage Cabinet starting with the bottom shelf first working your way up the Cabinet, shelf by shelf to top shelf. As an added safety feature, we recommend to affix the Storage Cabinet to the wall.**

*We sincerely hope you have enjoyed assembling your unit and that you will make good use of it.*



## Step 12



Young children may be injured by tipping furniture. The use of a tipping restraint is highly recommended. This hardware, when properly installed, could provide protection against the unexpected tipping of furniture due to improper use.

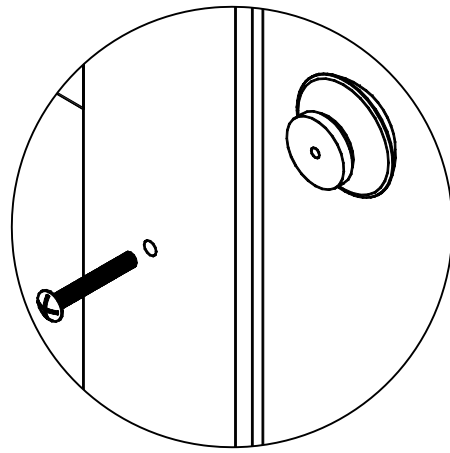
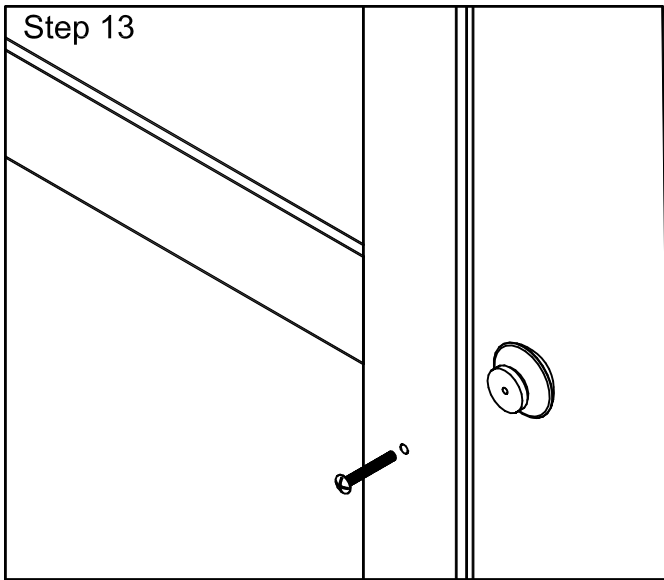
**WARNING:** This product is only a deterrent. It is not a substitute for proper adult supervision.

### Installation Instructions:

1. Attach one of the mounting brackets (u) securely to the top back edge of the furniture. Use one of the SHORTER screws (t) to securely attach the bracket (u) to Cabinet.
2. Determine where furniture is to be placed and mark location on the wall for the mounting bracket screw hole approximately 2" below the bracket mounted to the edge of the furniture.
3. Drill a 3/16" hole in the wall. Press the plastic anchor (w) into the hole and gently tap until the flange on the anchor is against the wall surface.
4. Position the bracket (u) over the anchor and use one of the LONGER screws (x) to securely attach the bracket (u) to wall.
5. Place the furniture so that the bracket (u) on the back edge is in line with the bracket (u) on the wall.
6. Lace an end of the nylon restraint strap (v) down through each bracket (u). Bring both ends together and slide the end of the strap through the slot in the other end until snug.  
**(Caution: The rough serrated edge must be to the inside of the loop or it will not lock into place.)**
7. Check to make sure the strap is securely laced and locked to the brackets.

## KIT TO SECURE BOOKCASE TO THE WALL

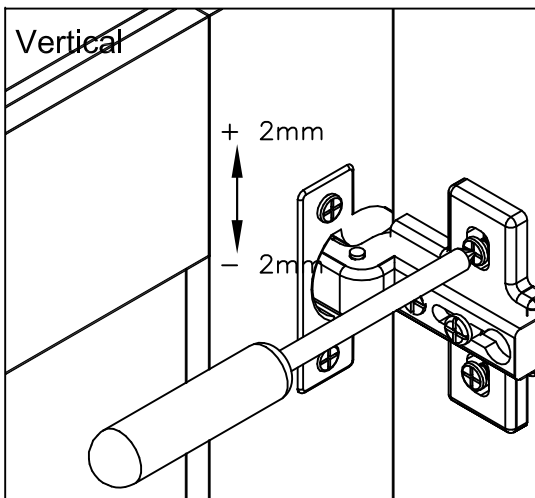
If you need assistance DO NOT CALL THE STORE, call us. Our Customer Service Group is here to help you.  
CALL MONDAY-FRIDAY between 8 AM and 3 PM PACIFIC TIME. Toll Free Telephone: 1-800-765-9035



Insert 1 Screws 8-32 X 1" (q) in each Door to install Wood Handle (p) as shown. See Diagram above.

There are three adjustments that can be made on a European/cup cabinet door hinge.

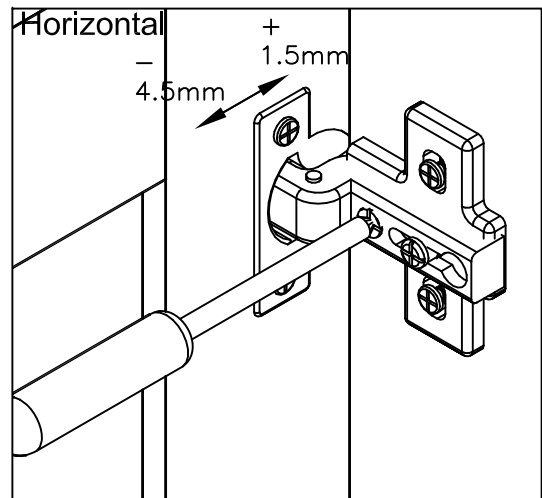
The two adjustments are: vertical, in-and-out and horizontal.



Vertical hinge adjustment - via slots in the mounting plate

Why adjust a door up or down?

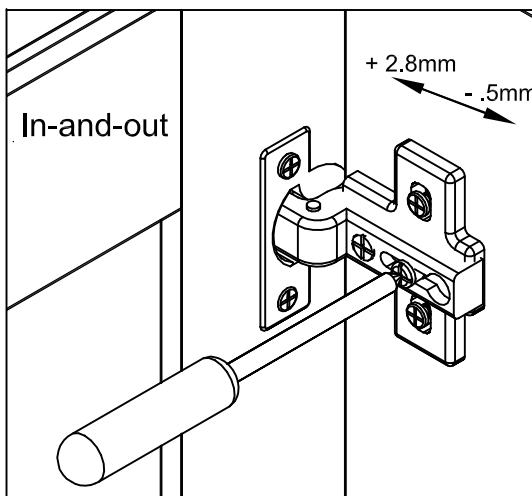
- To line up a row of doors.



Horizontal hinge adjustment

Why change the horizontal adjustment?

• To close gap between the doors if necessary.



In-and-Out hinge adjustment

Why change the In-and-Out adjustment?

• To close gap between the door and Side if necessary.

For visual help to adjust the doors, see following link:

<http://youtu.be/ojgDNoYJO58>