

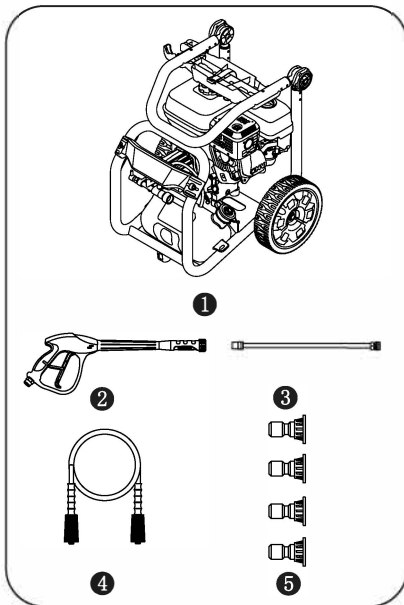
## II. Before Operating

### 1. Unpacking

**Remove the high pressure washer from the Shipping Carton**

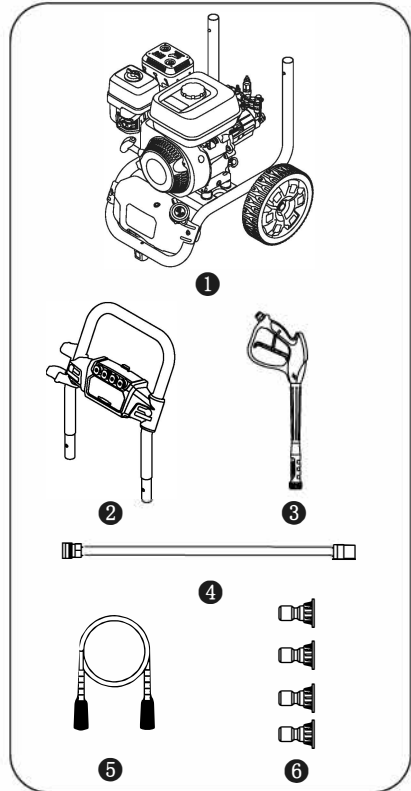
- Place the shipping carton on a solid, flat surface.
- Carefully cut each corner of the carton box from top to bottom. Fold each side flat on the ground.
- Remove everything from the carton except the high pressure washer.

HP-A



- HP-A pressure washer
- Pistol grip
- Gun barrel
- Pressure pipe
- Pressure jet

HP-B



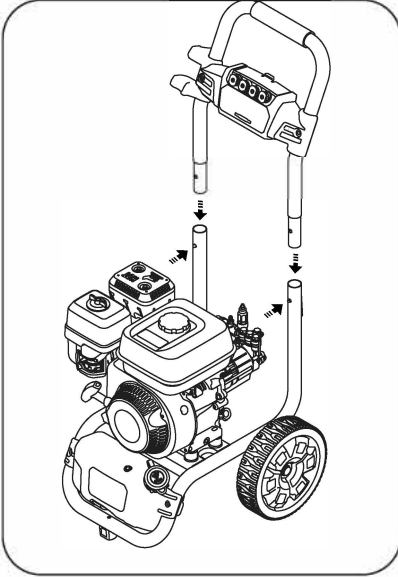
- HP-B pressure washer
- Handrail
- Pistol grip
- Gun barrel
- Pressure pipe
- Pressure jet

### 2. Assembly

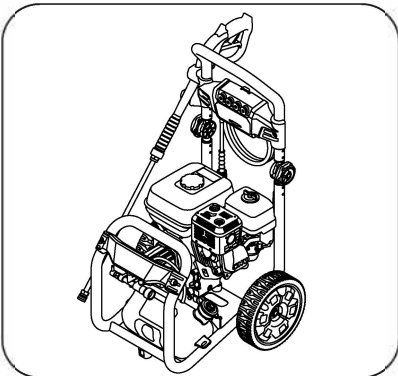
Your pressure washer requires some assembly. If you have any questions regarding the assembly of your washer, please have your model number and serial number ready and consult your local dealer for help.

## 1 Mounting handrail

Press the clamp besides each end of handrail, and then insert the handrail onto rack till “peng” sound happens.

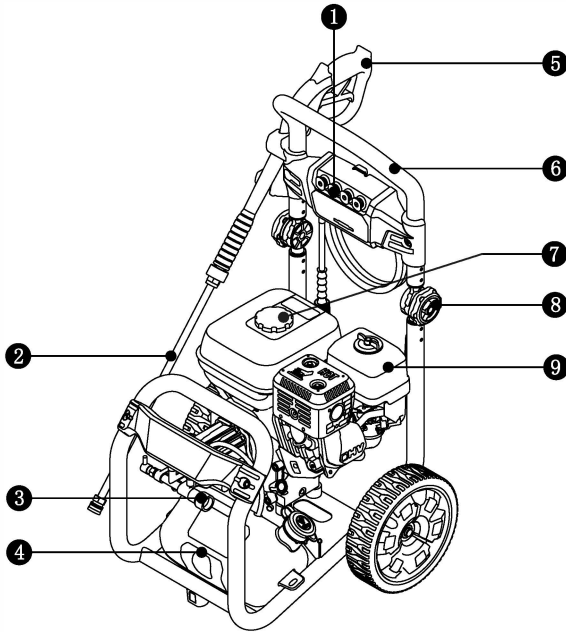


## 2 Put water pipe and pressure jet



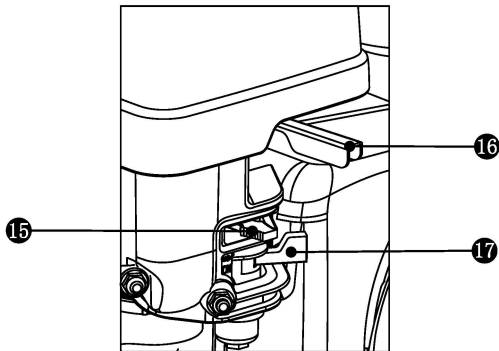
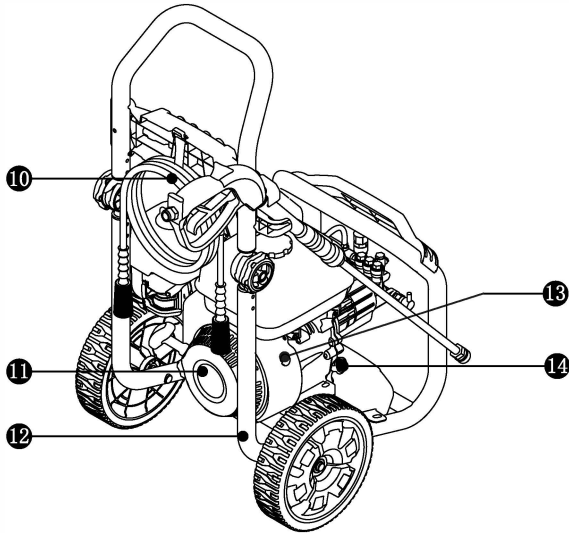
### 3. Features and Controls

HP-A



- |                |                  |
|----------------|------------------|
| ① Pressure jet | ⑥ Handrail       |
| ② Gun barrel   | ⑦ Fuel cap       |
| ③ Water outlet | ⑧ Connecting nut |
| ④ Soap lye pot | ⑨ Air filter     |
| ⑤ Pistol grip  |                  |

## HP-A



⑩ Pressure pipe

⑪ Recoil starter

⑫ Rack

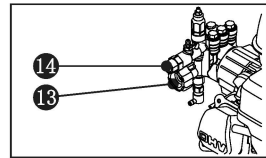
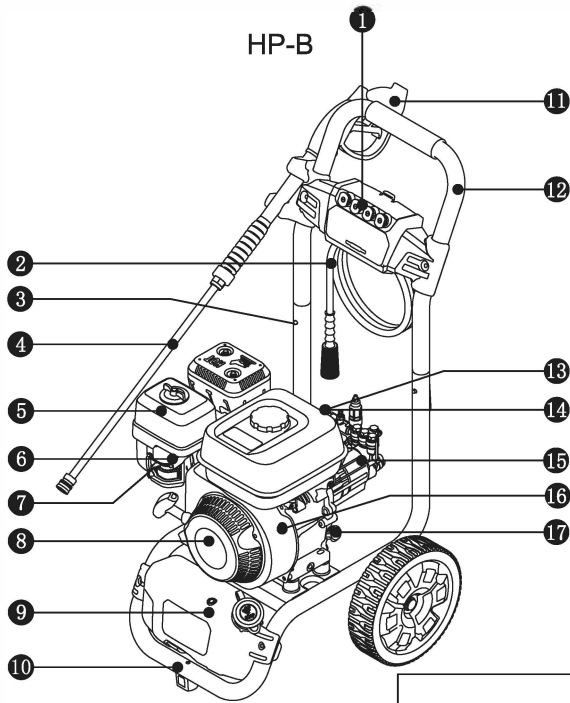
⑬ Engine switch

⑭ Dipstick

⑮ Choke lever

⑯ Speed control handle

⑰ Fuel switch



- |                        |                 |
|------------------------|-----------------|
| ① Pressure jet         | ⑩ Rack          |
| ② Pressure pipe        | ⑪ Pistol grip   |
| ③ Handrail clamp       | ⑫ Handrail      |
| ④ Gun barrel           | ⑬ Water inlet   |
| ⑤ Air filter           | ⑭ Water outlet  |
| ⑥ Speed control handle | ⑮ Pump          |
| ⑦ Choke lever          | ⑯ Engine switch |
| ⑧ Recoil starter       | ⑰ Dispstick     |
| ⑨ Soap lye pot         |                 |