

AMANA®

Portable Air Conditioner Use and Care Guide

For questions about features, operation/performance,
parts, or service, call: 1-800-207-1156.
In Canada, for assistance, installation, or service,
call: 1-800-207-1156.

Table of Contents

AIR CONDITIONER SAFETY	2	TROUBLESHOOTING	12
INSTALLATION REQUIREMENTS.....	2	SPECIFICATIONS.....	13
PARTS AND FEATURES	3	ASSISTANCE OR SERVICE	13
INSTALLATION INSTRUCTIONS.....	5	XLS PRODUCTS WARRANTY FOR AMANA® AIR CONDITIONERS.....	14
USING YOUR AIR CONDITIONER.....	8		
CARE AND CLEANING	10		

Climatiseur

Guide d'utilisation et d'entretien

Au Canada, pour assistance, installation, ou service,
composez le : 1-800-207-1156

Table des matières

SÉCURITÉ DU CLIMATISEUR.....	15	DÉPANNAGE	25
EXIGENCES D'INSTALLATION	15	SPÉCIFICATIONS.....	26
PIÈCES ET CARACTÉRISTIQUES	16	ASSISTANCE OU SERVICE	27
INSTRUCTIONS D'INSTALLATION	18	GARANTIE DE XLS PRODUCTS POUR LES CLIMATISEURS AMANA®	28
UTILISATION DE VOTRE CLIMATISEUR	21		
ENTRETIEN ET NETTOYAGE.....	23		

Acondicionador de Aire para Manual de uso y cuidado

Si tiene preguntas respect o a las características,
funcionamiento, rendimiento, partes, o servicio técnico,
llame al: 1-800-207-1156

Índice

SEGURIDAD DEL ACONDICIONADOR DE AIRE	29	SOLUCIÓN DE PROBLEMAS.....	39
REQUISITOS DE INSTALACIÓN	29	ESPECIFICACIONES	40
PIEZAS Y CARACTERÍSTICAS	30	ASISTENCIA O SERVICIO TÉCNICO.....	41
INSTRUCCIONES DE INSTALACIÓN	32	GARANTÍA DE XLS PRODUCTS PARA ACONDICIONADORES DE AIRE AMANA®	42
USO DE SU ACONDICIONADOR DE AIRE	35		
CUIDADO Y LIMPIEZA	37		

®/™ ©2019 Amana. All rights reserved. Manufactured under license by XLS Products, Pennsylvania.

®/™ ©2019 Amana. Tous droits réservés. Fabriqué sous licence par XLS Products, Pennsylvania.

®/™ ©2019 Amana. Todos los derechos reservados. Fabricado bajo licencia por XLS Products, Pennsylvania.

Models/Modèles/Modelos:

AMAP101AB-2/AMAP101AD-2/AMAP101AW-2 & AMAP121AB-2/AMAP121AD-2/AMAP121AW-2

AIR CONDITIONER SAFETY

Your safety and the safety of others are very important.

We have provided many important safety messages in this manual and on your appliance. Always read and obey all safety messages.



This is the safety alert symbol.

This symbol alerts you to potential hazards that can kill or hurt you and others.

All safety messages will follow the safety alert symbol and either the word "DANGER" or "WARNING." These words mean:

⚠ DANGER

You can be killed or seriously injured if you don't immediately follow instructions.

⚠ WARNING

You can be killed or seriously injured if you don't follow instructions.

All safety messages will tell you what the potential hazard is, tell you how to reduce the chance of injury, and tell you what can happen if the instructions are not followed.

IMPORTANT SAFETY INSTRUCTIONS

WARNING: To reduce the risk of fire, electrical shock or injury when using your air conditioner, follow these basic precautions:

- Plug into a grounded 3 prong outlet.
- Do not remove ground prong.
- Do not use an adapter.
- This appliance is not intended for use by persons (including children) with reduced physical, sensory, or mental capabilities, or lack experience and knowledge, unless they have been given supervision or instruction concerning the use of appliance by a person responsible for their safety.
- Do not use an extension cord.
- Unplug air conditioner before servicing.
- Use two or more people to move and install air conditioner.
- Do not drink water collected in the water bucket.
- Children should be supervised to ensure that they do not play with the appliance.

SAVE THESE INSTRUCTIONS

Disposing of the unit:

- When you need to dispose of the unit, consult with your local dealer or local recycling center for information on how to dispose of the unit in an environmentally responsible manner.
- Please recycle or dispose of the packaging material for product in an environmentally responsible manner.

INSTALLATION REQUIREMENTS

Location Requirements

IMPORTANT: Observe all governing codes and ordinances.

Check the location where the air conditioner will be installed. Make sure you have everything necessary for correct installation.

The location should provide:

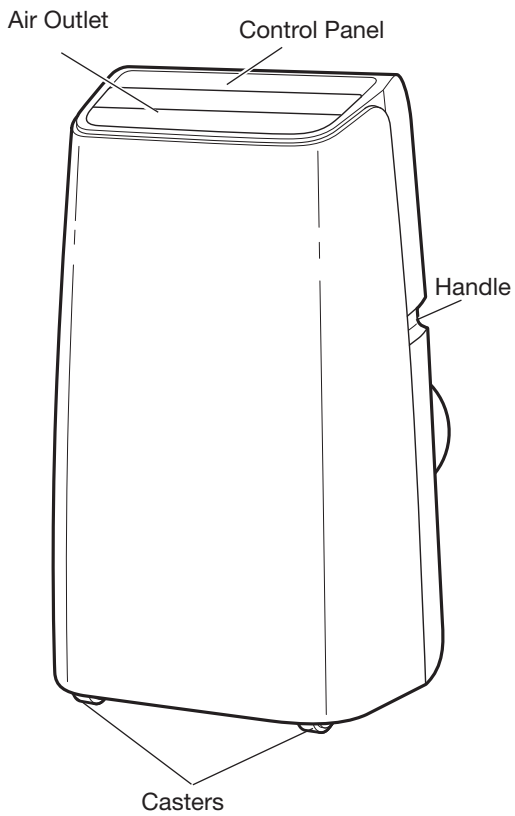
- Grounded electrical outlet within 4.27 ft (130 cm) of where the power cord exits the air conditioner.
NOTE: Do not use an extension cord.

- Free movement of air in room to be cooled.
- A large enough opening for the air conditioner. Installation parts are supplied for double-hung windows.
- Allow at least 10" (25 cm) clearance from walls and furniture.

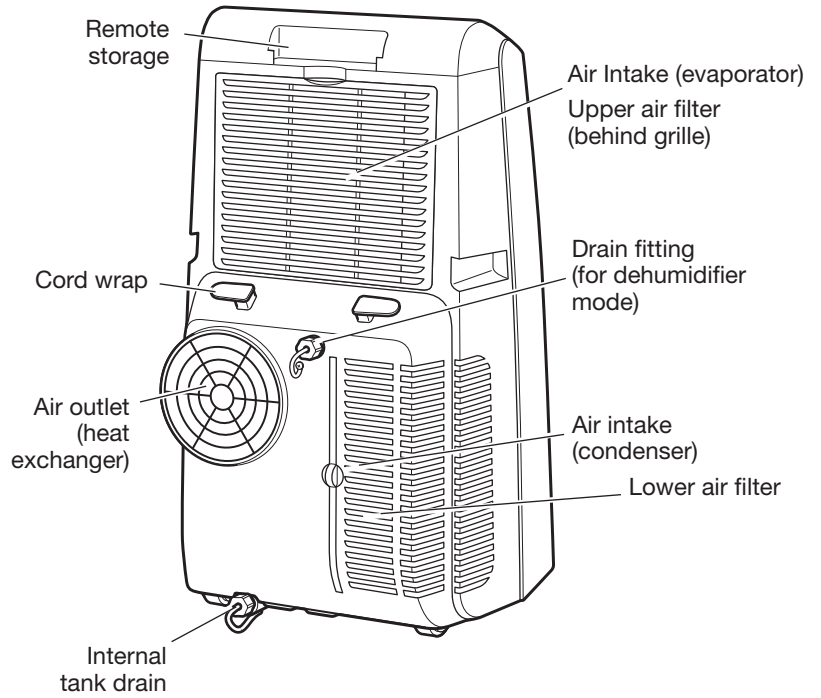
NOTE: Cabinet louvers must not be obstructed. Do not place the unit in front of drapes or curtains; they may block the air intake.

PARTS AND FEATURES

Front View

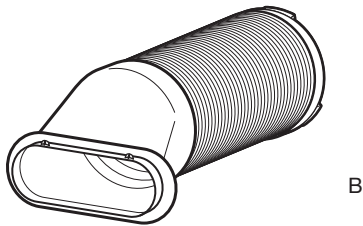
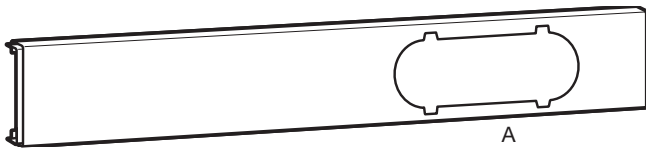


Back View



Installation Parts Supplied

Check that all parts are included in parts package.



A. Window insert panel (1)

B. Flexible vent hose assembly (1)

Electrical Requirements

⚠ WARNING



Electrical Shock Hazard

Plug into a grounded 3 prong outlet.

Do not remove ground prong.

Do not use an adapter.

Do not use an extension cord.

Failure to follow these instructions can result in death, fire, or electrical shock.

The electrical ratings for your air conditioner are listed on the model and serial number label. The model and serial number label is located on the back of the air conditioner cabinet.

Electrical Requirements



- 115V (103.5 min. - 126.5 max.)
- 0-12A
- 15A time-delay fuse or circuit-breaker
- If there is a "Single Circuit Only" label on the unit, use on a dedicated single-outlet circuit only. If a dedicated single-outlet circuit is not available, then it is the customer's responsibility to have a single-outlet circuit installed by a qualified electrician.
- If there is no "Single Circuit Only" label on the unit, the unit may be used on any branch circuit of correct voltage and adequate current protection rating.

Recommended Grounding Method

This air conditioner must be grounded. This air conditioner is equipped with a power supply cord having a grounded 3-prong plug. To minimize possible shock hazard, the cord must be plugged into a mating, grounded 3-prong outlet, grounded in accordance with all local codes and ordinances. If a mating outlet is not available, it is the customer's responsibility to have a properly grounded 3-prong outlet installed by a qualified electrical installer. It is the customer's responsibility:

- To contact a qualified electrical installer.
- To assure that the electrical installation is adequate and in conformance with National Electrical Code, ANSI/NFPA 70 — latest edition, and all local codes and ordinances.

Copies of the standards listed may be obtained from:

National Fire Protection Association
1 Batterymarch Park
Quincy, MA 02269

Power Supply Cord

NOTE: Your air conditioner's power supply cord may differ from the one shown. This portable air conditioner is equipped with a power supply cord required by UL. This power supply cord contains state-of-the-art electronics that sense leakage current. If the cord is crushed, the electronics detect leakage current and power will be disconnected in a fraction of a second.

⚠ WARNING



Electrical Shock Hazard

Plug into a grounded 3 prong outlet.

Do not remove ground prong.

Do not use an adapter.

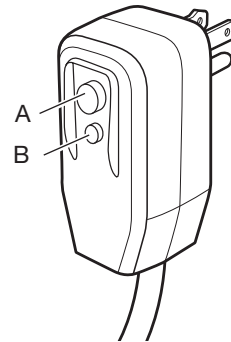
Do not use an extension cord.

Failure to follow these instructions can result in death, fire, or electrical shock.

To test your power supply cord:

1. Plug power supply cord into a grounded 3-prong outlet.
2. Press RESET (on some models, a green light will turn on).
3. Press TEST.
4. Press and release RESET.
The power supply cord is ready for operation.

- A. Reset button
- B. Test button



NOTES:

- The Reset button must be pushed in for proper operation.
- The power supply cord must be replaced if it fails to trip when the test button is pressed or fails to reset.
- Do not use the power supply cord as an off/on switch. The power supply cord is designed as a protective device.
- A damaged power supply cord must be replaced with a new power supply cord obtained from the product manufacturer and must not be repaired.
- The power supply cord contains no user-serviceable parts. Opening the tamper-resistant case voids all warranty and performance claims.

INSTALLATION INSTRUCTIONS

Prepare Air Conditioner for Installation

⚠ WARNING

Excessive Weight Hazard

Use two or more people to move and install air conditioner.

Failure to do so can result in back or other injury.

Remove Packaging Materials:

- Handle the air conditioner gently while unpacking the unit.
- Remove the carton top and lift the air conditioner from the base pad.
- Remove tape and glue residue from surfaces before turning on the air conditioner. Rub a small amount of liquid dish soap over the adhesive with your fingers. Wipe with a damp cloth and dry.
- Do not use sharp instruments, rubbing alcohol, flammable fluids, or abrasive cleaners to remove tape or glue. These products can damage the surface of your air conditioner.
- Be sure to check all packing materials for parts before discarding.
- Dispose of/recycle packaging materials in an appropriate way.

Window Opening Requirements

This air conditioner may be used with standard double-hung windows and with vertical sliding windows.

Double-Hung Window Opening Measurements:

- 26 $\frac{5}{8}$ " (67.6 cm) minimum to 52" (132 cm) maximum opening width
- 4" (10.2 cm) minimum opening height

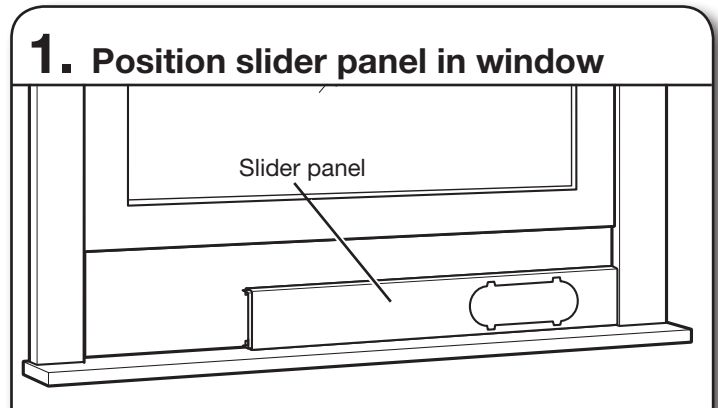
Vertical Sliding Window Opening Measurements:

- 4" (10.2 cm) minimum opening width
- 26 $\frac{5}{8}$ " (67.7 cm) minimum to 52" (132 cm) maximum opening height

IMPORTANT: For window openings between 26 $\frac{5}{8}$ " (67.6 cm) and 37" (94 cm), it will be necessary to cut the slider panel extension to fit the window opening.

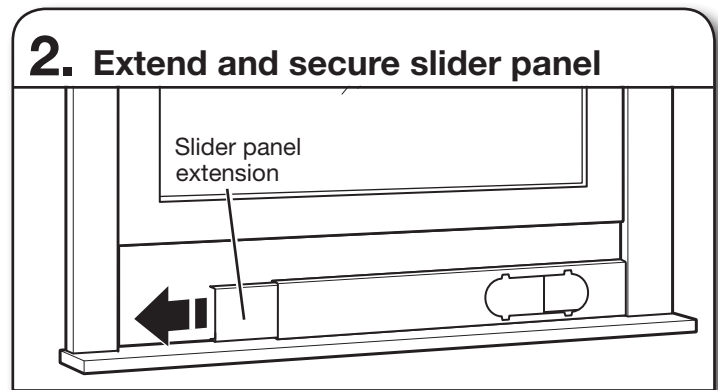
Install Window Slider Panel

1. Position slider panel in window



Position the window slider panel in the window opening.

2. Extend and secure slider panel



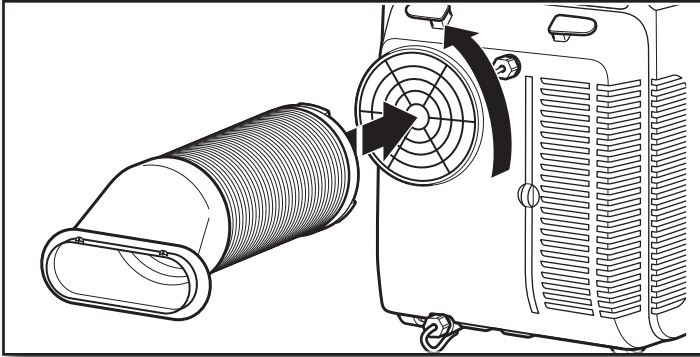
Extend the slider panel extension until it fills the window opening. Be sure the vent opening in the slider panel is not covered.

If the window is too narrow to fit the slider panel without blocking the vent opening:

1. Remove the slider panel extension from the slider panel.
2. Using a hand saw, cut the slider panel extension to fit the window opening. Leave as much panel as possible without covering the vent opening(s) in the slider panel.
3. Slide the slider panel extension back into the slider panel.

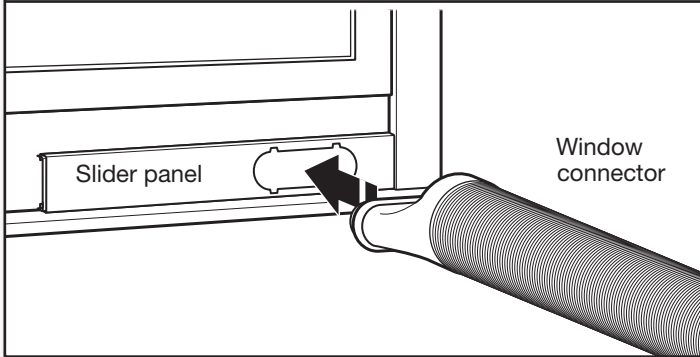
Assemble Vent Hose

1. Attach vent hose to air conditioner



Insert the round connector of the vent hose into the exhaust port on the back of the air conditioner. Turn counterclockwise to lock into place.

2. Attach vent hose to slider panel



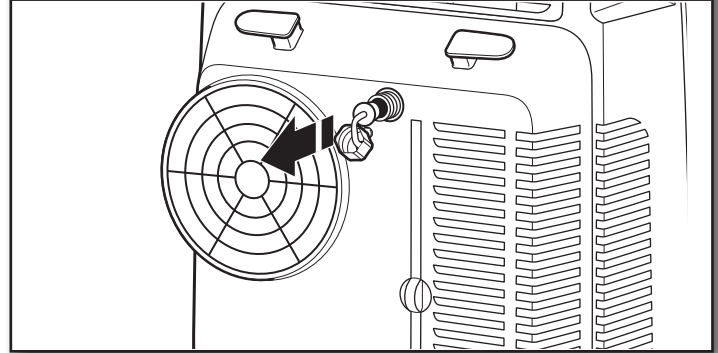
Position the air conditioner in the desired location.
Extend the vent hose enough to reach from the air conditioner to the window. Be sure there are no sharp bends or kinks in the hose.
Press the window connector end of the vent hose into the opening on the slider panel as shown. It will clip into place.

Drain Hose Connection (optional)

When using the air conditioner for dehumidification only, you may attach a hose (not included) for water drainage into a floor drain.

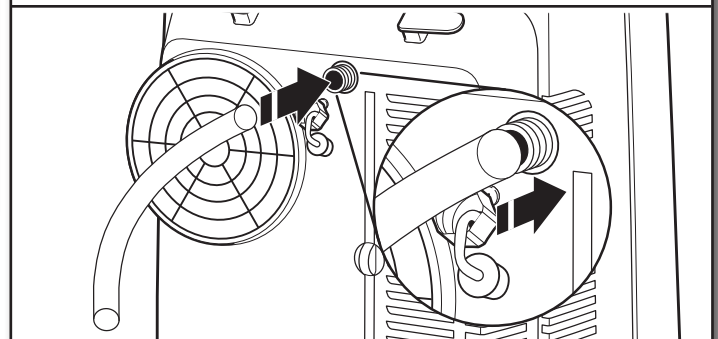
The drain hose must be below the drain port on the back of the air conditioner.

1. Remove drain fitting plug



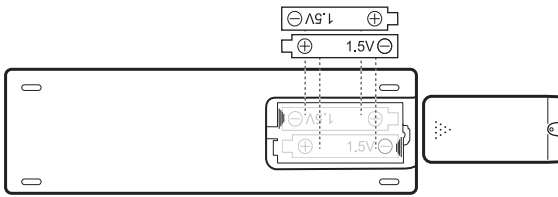
Turn the drain port retainer plug counterclockwise to remove, then pull out the rubber drain plug.

2. Install drain hose



Insert the drain hose into the drain fitting on the air conditioner. Insert the other end of the drain hose into a floor drain or other suitable drain.

Installing/replacing the batteries in the remote



NOTE: The remote uses two AAA 1.5 V batteries (included). Replace batteries when the battery indicator in the upper right corner of the remote display is empty.

To remove the batteries:

Remove safety screw and the battery compartment cover, then remove the batteries.

To reinstall the batteries:

Place the batteries into the battery compartment as shown, then reinstall the cover and safety screw.

NOTE:

- Do not drop the remote control; this may damage the remote control.
- Remove the batteries if the remote control is not used for a month or longer.
- Dispose of used batteries responsibly.

Electrical Connection

⚠ WARNING



Electrical Shock Hazard

Plug into a grounded 3 prong outlet.

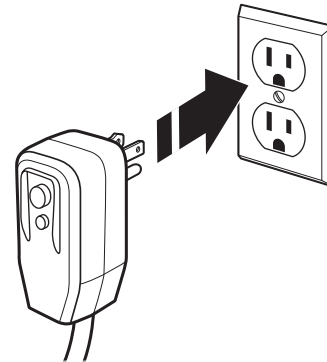
Do not remove ground prong.

Do not use an adapter.

Do not use an extension cord.

Failure to follow these instructions can result in death, fire, or electrical shock.

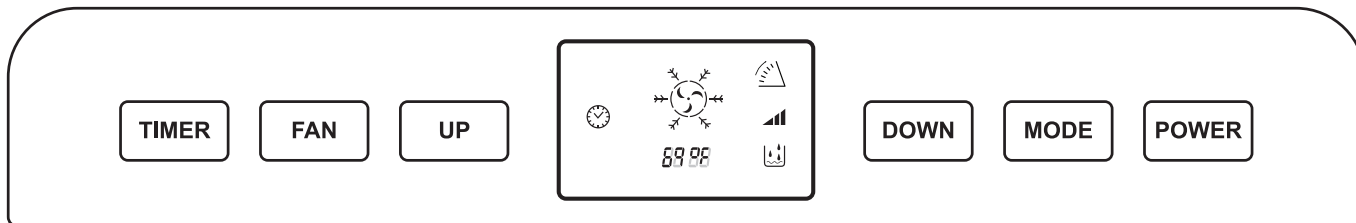
1. Plug into grounded 3-prong outlet



Plug into a grounded 3-prong outlet.

Press the RESET button on the power supply cord. See "Electrical Requirements."

USING YOUR AIR CONDITIONER



Appearance may vary.

Turning the Air Conditioner ON or OFF

Press POWER to turn the air conditioner on or off.


IMPORTANT:

- If you turn off the air conditioner, wait at least 3 minutes before turning it back on. This prevents the air conditioner from blowing a fuse or tripping a circuit breaker.
- The recommended operating temperature range is between 44°F (7°C) and 95°F (35°C). Operating the air conditioner above or below this range may cause the the inside evaporator coil to freeze up, and the air conditioner will not operate properly.

NOTE: In the event of a power failure, your air conditioner will operate at the previous settings when the power is restored.

POWER

Dehumidify (Dry) Mode

 Air is dehumidified as it passes through the unit, without being in full cooling mode. The fan speed is set automatically to LOW and cannot be adjusted .

IMPORTANT: For best results, the continuous drain hose should be connected.

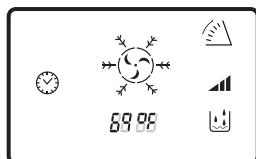
Fan (FAN) Mode

In this mode, only the fan will run. Air is circulated through the room with no cooling.

NOTE: The air conditioner does not need to be vented to the outdoors in Fan mode.

Display

During normal operation, display will show the current room temperature and the mode and settings. When the UP or DOWN button is pressed, the unit will display the set temperature or delay time.



Selecting the Fan Speed

The Fan has 3 speed settings:

- Low
- Medium
- High

Press the FAN button until the desired setting is selected.

Selecting the Mode

The Mode button has three settings:

- Cool
- Dehumidify
- Fan

MODE

Press the MODE button until the indicator light below the desired setting is lit.

Cooling (COOL) Mode

During Cooling mode, the air conditioner cools air from the room and vents hot air to the outdoors through the vent hose(s). Adjust fan speed and the temperature setting to fit your desired comfort level. Temperature setting range is 60°F–86°F (16°C–30°C).



IMPORTANT: The vent hose(s) must exhaust to the outdoors when using Cooling mode.

Press the UP or DOWN buttons to adjust the set temperature up or down in 1° increments. Temperature setting range is 60°F–86°F (16°C–30°C). After 10 seconds, the display will return to the current room temperature.

NOTE: Temperature may only be adjusted in Cooling mode. When in TIMER mode, pressing the UP or DOWN buttons will adjust the delay time for the air conditioner to shut off or turn on.

UP

DOWN

Using the Timer

Auto Shut-Off

You can set the air conditioner to shut off automatically after a set number of hours, up to 24 hours.

TIMER

To set Auto Shut-Off:

1. With the air conditioner in fan mode, press Timer.
2. Use the UP and DOWN buttons to select the number of hours, up to 24 hours. The Timer indicator will remain displayed to let you know the timer is set.
3. After the set time, the air conditioner will turn off automatically.

Auto Start

You can set the air conditioner with the TIMER to start automatically after a set number of hours.

1. With the air conditioner OFF, press TIMER.
2. Use the UP or DOWN button to select the number of hours before the air conditioner should turn on, up to 24 hours. The TIMER indicator will be displayed to let you know the timer is set.
3. After the set time, the air conditioner will start automatically in Cooling mode with the last temperature and fan settings used.

Other Functions

Bucket Full Warning “FL”

This air conditioner has an internal tank to hold accumulated water from the condenser. Normally, this water is evaporated and exhausted to the outside. However, in periods of high humidity, the internal tank may become full. If this happens, “FL” will appear in the display, a tone will sound, and the air conditioner will turn off until the internal tank is emptied. See “Care and Cleaning”.

Normal Operating Sounds

When your air conditioner is operating normally, you may hear sounds such as:

- Droplets of water hitting the condenser, causing a pinging or clicking sound. The water droplets help cool the condenser.
- Air movement from the fan.
- Clicks from the thermostat cycle.
- Vibrations or noise due to poor wall or window construction.
- A high-pitched hum or pulsating noise caused by the modern high-efficiency compressor cycling on and off.

Using the Remote Control

The remote control allows you to turn the air conditioner on and off, as well as select the Mode, Fan Speed, and set the temperature and time using the same method as the control panel. The LCD display on the remote will display the current mode and settings.

Additional functions are only available through the remote.

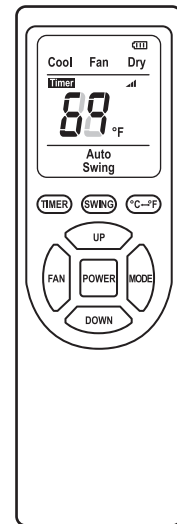
Switching between Fahrenheit and Celsius:

Press the °C-°F button on the remote to toggle the displayed units between °F and °C.

Auto Swing Mode:

Pressing the Swing button will toggle Auto Swing mode on and off. In Auto Swing mode, the air outlet louvers will move automatically to improve circulation. Auto Swing will appear in the remote display and the Auto Swing icon will appear in the air conditioner display.

NOTE: Remote control may vary in appearance.



CARE AND CLEANING

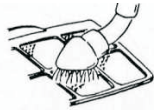
Your new air conditioner is designed to give you many years of dependable service. This section tells you how to clean and care for your air conditioner properly.

Cleaning the Air Filters

The air filters are removable for easy cleaning. A clean filter helps remove dust, lint, and other particles from the air and is important for best cooling and operating efficiency. Check the filters every 2 weeks to see whether they need cleaning.

NOTE: For best performance, do not operate the air conditioner without the filters in place.

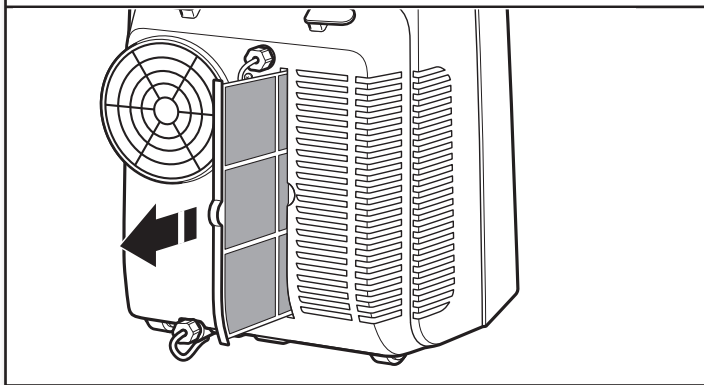
Use a vacuum cleaner to clean air filters. If the air filters are very dirty, wash them in warm water with a mild detergent.



NOTE: Do not wash the air filters in the dishwasher or use any chemical cleaners; it may damage the filters. Air dry the air filters completely before reinstalling to ensure maximum efficiency.

Removing the Lower Air Filter

1. Remove the lower air filter



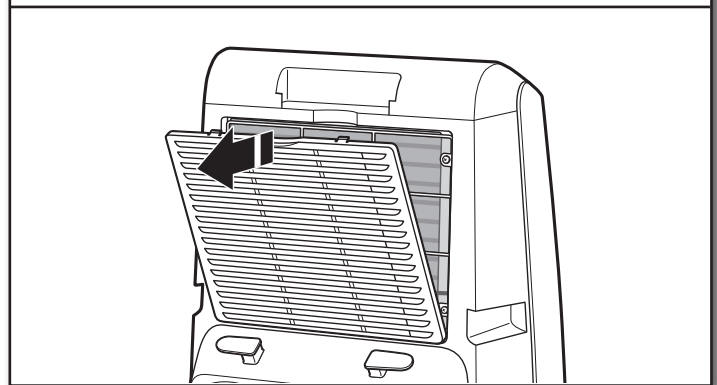
1. Turn off the air conditioner.
2. Pull the lower air filter straight out from the back of the air conditioner.

Reinstalling the air filter:

1. Reinstall the air filter in the air conditioner by reversing step 2 above.

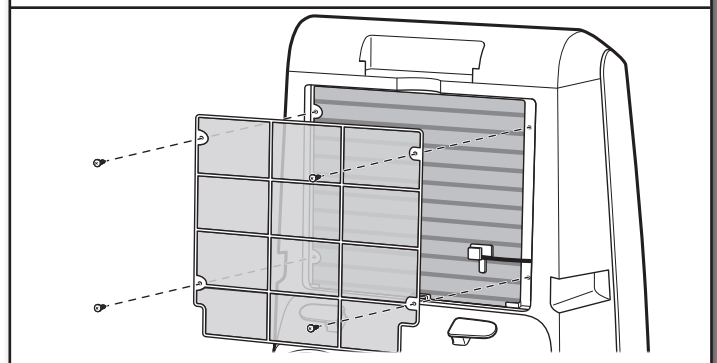
Removing the Upper Air Filter

1. Remove the air intake cover



1. Turn off the air conditioner.
2. Remove the air intake cover by pulling the top of the cover away from the air conditioner, then lifting the bottom tabs out of the slots on the air conditioner.

2. Remove the air filter



1. Using a Phillips screwdriver, remove the 4 screws holding the filter in place.
2. Pull the air filter straight out of the air conditioner.

Reinstalling the air filter:

1. Reinstall the air filter in the air conditioner by reversing step 2 above.
2. Insert the tabs on the bottom of the air intake cover into the slots on the air conditioner, then press the top into place until it clicks to lock.

Cleaning the Air Conditioner Cabinet

1. Turn off the air conditioner.
2. Wipe the air conditioner cabinet with a soft, damp cloth.
3. Wipe dry with soft cloth.

Storing the Air Conditioner

⚠ WARNING

Excessive Weight Hazard

Use two or more people to move and install air conditioner.

Failure to do so can result in back or other injury.

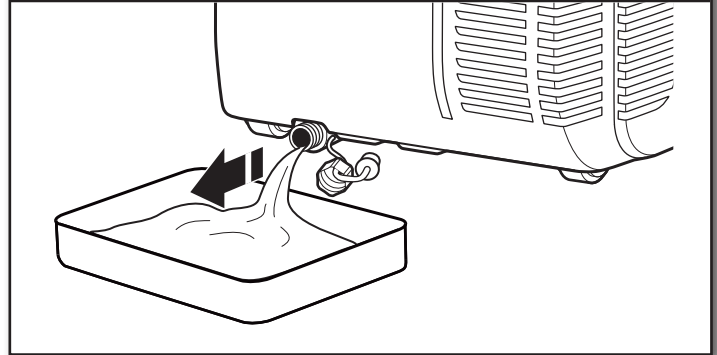
If the air conditioner will not be used for an extended period of time, prepare it for storage with the following steps.

1. Run the air conditioner in Fan mode for a few hours to dry any moisture from the coils.
2. Turn off the air conditioner and unplug it. Remove the batteries from the remote.
3. Remove the drain plug from the internal tank to remove and drain any remaining water from the tank. See "Draining the Internal Tank".
4. Remove, clean, and reinstall the air filters.
5. Remove the vent hose and window slider panel and store them in a safe place.

Draining the Internal Tank

If the air conditioner turns off and "FL" appears in the display, it is necessary to drain the internal tank before using the air conditioner again.

1. Draining the internal tank



1. Turn off and unplug the air conditioner.
2. Place a pan or small bucket under the drain.
3. Remove the drain plug retainer by turning it counterclockwise.
4. Pull out the rubber drain plug.
5. Allow water to drain into pan or bucket.
6. Reinstall the rubber drain plug by pressing firmly into place.
7. Thread drain plug retainer clockwise onto drain, then tighten hand tight.

TROUBLESHOOTING

Before calling for service, try the suggestions below to see whether you can solve your problem without outside help.

Air conditioner will not operate

⚠ WARNING



Electrical Shock Hazard

Plug into a grounded 3 prong outlet.

Do not remove ground prong.

Do not use an adapter.

Do not use an extension cord.

Failure to follow these instructions can result in death, fire, or electrical shock.

- The power supply cord is unplugged. Plug into a grounded 3-prong outlet. See “Electrical Requirements.”
- The power supply cord has tripped (Reset button has popped out). Press and release RESET to resume operation.
- A household fuse has blown, or circuit breaker has tripped. Replace the fuse or reset the circuit breaker. If the problem continues, call an electrician. See “Electrical Requirements.”
- The Power button has not been pressed. Press POWER.
- The local power has failed. Wait for power to be restored.
- The internal water tank is full. If “FL” appears in the display, empty the internal tank. See “Draining the Internal Tank”.

Air conditioner blows fuses or trips circuit breakers

- Too many appliances are being used on the same circuit. Unplug or relocate appliances that share the same circuit.
- Time-delay fuse or circuit breaker of the wrong capacity is being used. Replace with a time-delay fuse or circuit breaker of the correct capacity. See “Electrical Requirements.”
- You are trying to restart the air conditioner too soon after turning off the air conditioner. Wait at least 3 minutes after turning off the air conditioner before trying to restart the air conditioner.

Air conditioner power supply cord trips (Reset button pops out)

- Disturbances in your electrical current can trip the power supply cord (Reset button will pop out) (Reset button will pop out). Press and release RESET to resume operation.
- Electrical overload, overheating, a pinched cord, or aging can trip the power supply cord (Reset button will pop out). After correcting the problem, press and release RESET to resume operation.

NOTE: A damaged power supply cord must be replaced with a new power supply cord obtained from the product manufacturer and must not be repaired.

Air conditioner seems to run too much

- The current air conditioner replaced an older model. The use of more efficient components may cause the air conditioner to run longer than an older model, but the total energy consumption will be less. Newer air conditioners do not emit the “blast” of cold air you may be accustomed to from older air conditioners, but this is not an indication of lesser cooling capacity or efficiency. Refer to the efficiency rating (EER) and capacity rating (in BTU/h) marked on the air conditioner.
- The air conditioner is in a heavily occupied room, or heat-producing appliances are in use in the room. Use exhaust vent fans while cooking or bathing and try not to use heat-producing appliances during the hottest part of the day. A higher-capacity air conditioner may be required, depending on the size of the room being cooled.

Air conditioner cycles on and off too much or does not cool room in cooling mode

- The air conditioner is not properly sized for your room. Check the cooling capabilities of your room air conditioner. Room air conditioners are not designed to cool multiple rooms.
- The filter is dirty or obstructed by debris. Clean the filter.
- There is excessive heat or moisture (open container cooking, showers, etc.) in the room. Use a fan to exhaust heat or moisture from the room. Try not to use heat-producing appliances during the hottest part of the day.
- The air intakes are blocked. Install the air conditioner in a location where the louvers are free from curtains, blinds, furniture, etc.
- The temperature of the room you are trying to cool is extremely hot. Allow extra time for the air conditioner to cool off a very hot room.
- Windows or doors to the outside are open. Close all windows and doors.
- The temperature setting is not set to a cool enough setting. Adjust the temperature to a cooler setting by pressing the DOWN button to reduce the temperature. Set the Fan control to the highest setting.

Error codes in display

- If E1 or or E2 appears in the display, call for service.
- If FL appears in the display, empty the water bucket.

Remote control not working

- Check the battery level display on the remote. If necessary, replace the batteries.
- Make sure the remote is pointed at the air conditioner and that nothing is blocking the remote sensor window on the control panel.

SPECIFICATIONS

Model	AMAP101AW / AB / AD-2	AMAP121AW / AB / AD-2
Voltage/Frequency	115 VAC/60Hz	115 VAC/60Hz
Current/Amperage	8.5 A	10 A
Cooling Capacity (BTUs/hour)	10,000	12,000
Seasonally Adjusted Cooling Capacity (SACC) (BTUs/hour)	6,500	7,500
Coolant Type	R410A	R410A
Timer	24-hour	24-hour
Dimensions W x D x H	14.2" x 16.9" x 28.7" 36.4 x 42.9 x 72.9 cm	14.2" x 16.9" x 28.7" 36.4 x 42.9 x 72.9 cm
Weight	54.0 lbs. 24.5 kg	60.6 lbs. 27.5 kg

ASSISTANCE OR SERVICE

Before calling for assistance or service, please check "Troubleshooting." It may save you the cost of a service call. If you still need help, follow the instructions below.

When calling, please know the purchase date and the complete model and serial number of your appliance. This information will help us to better respond to your request.

In the USA

Call XLS Products Customer Service toll free: 1-800-207-1156.

Our consultants provide assistance with:

- Features and specifications on our full line of appliances.
- Installation information.
- Use and maintenance procedures.
- Accessory and repair parts.
- Specialized customer assistance.
- Referrals to local dealers, repair parts distributors, and service companies. XLS Products designated service technicians are trained to fulfill the product warranty and provide after-warranty service, anywhere in the United States.

For further assistance:

If you need further assistance, you can write to XLS Products with any questions or concerns at:

XLS Products, Inc.
Customer Service
P.O. Box 16262
Philadelphia, PA 19114-0262

Please include a daytime phone number in your correspondence.

In Canada

Call the XLS Products Customer Service toll free: 1-800-207-1156.

Our consultants provide assistance with:

- Features and specifications on our full line of appliances.
- Use and maintenance procedures.
- Accessory and repair parts.
- Referrals to local dealers, repair parts distributors, and service companies. XLS Products designated service technicians are trained to fulfill the product warranty and provide after-warranty service, anywhere in Canada.

For further assistance:

If you need further assistance, you can write to XLS Products with any questions or concerns at:

XLS Products, Inc.
Customer Service
P.O. Box 16262
Philadelphia, PA 19114-0262

Please include a daytime phone number in your correspondence.

XLS PRODUCTS WARRANTY FOR AMANA® AIR CONDITIONERS

ONE YEAR LIMITED WARRANTY

For one year from the date of purchase, when this product is operated and maintained according to instructions attached to or furnished with the product, XLS Products will pay for replacement parts and repair labor to correct defects in materials or workmanship or replace the product at our discretion. Service must be provided by a XLS Products designated service company. This warranty does not cover the air filter.

ITEMS XLS PRODUCTS WILL NOT PAY FOR

1. Service calls to correct the installation of your product, instruct you how to use your product, to replace house fuses or reset circuit breakers, replace or clean filters, or correct house wiring.
2. Service calls to repair or replace air filters. Those consumable parts are excluded from warranty coverage.
3. Repairs when your product is used for other than normal, single-family household use.
4. Damage resulting from accident, alteration, misuse, abuse, fire, flood, acts of God, improper installation, installation not in accordance with electrical or plumbing codes, or use of products not approved by XLS Products.
5. Replacement parts or repair labor costs for units operated outside the United States or Canada.
6. Pickup and delivery. This product is designed to be repaired in the home.
7. Repairs to parts or systems resulting from unauthorized modifications made to the appliance.
8. Expenses for travel and transportation for product service in remote locations.
9. The removal and reinstallation of your appliance if it is installed in an inaccessible location or is not installed in accordance with published installation instructions.

DISCLAIMER OF IMPLIED WARRANTIES; LIMITATION OF REMEDIES

CUSTOMER'S SOLE AND EXCLUSIVE REMEDY UNDER THIS LIMITED WARRANTY SHALL BE PRODUCT REPAIR AS PROVIDED HEREIN. IMPLIED WARRANTIES, INCLUDING WARRANTIES OF MERCHANTABILITY OR FITNESS FOR A PARTICULAR PURPOSE, ARE LIMITED TO ONE YEAR OR THE SHORTEST PERIOD ALLOWED BY LAW. XLS PRODUCTS SHALL NOT BE LIABLE FOR INCIDENTAL OR CONSEQUENTIAL DAMAGES. SOME STATES AND PROVINCES DO NOT ALLOW THE EXCLUSION OR LIMITATION OF INCIDENTAL OR CONSEQUENTIAL DAMAGES, OR LIMITATIONS ON THE DURATION OF IMPLIED WARRANTIES OF MERCHANTABILITY OR FITNESS, SO THESE EXCLUSIONS OR LIMITATIONS MAY NOT APPLY TO YOU. THIS WARRANTY GIVES YOU SPECIFIC LEGAL RIGHTS AND YOU MAY ALSO HAVE OTHER RIGHTS, WHICH VARY, FROM STATE TO STATE OR PROVINCE TO PROVINCE.

Outside the 50 United States and Canada, this warranty does not apply. Contact your authorized XLS Products dealer to determine if another warranty applies.

If you need service, first see the "Troubleshooting" section of the Use & Care Guide. After checking "Troubleshooting," additional help can be found by checking the "Assistance or Service" section or by calling XLS Products. In the U.S.A., call 1-800-207-1156. In Canada, call 1-800-207-1156.

Keep this book and your sales slip together for future reference. You must provide proof of purchase or installation date for in-warranty service.

Write down the following information about your air conditioner to better help you obtain assistance or service if you ever need it. You will need to know your complete model number and serial number. You can find this information on the model and serial number label located on the product.

Dealer name _____

Address _____

Phone number _____

Model number _____

Serial number _____

Purchase date _____

SÉCURITÉ DU CLIMATISEUR

Votre sécurité et celle des autres est très importante.

Nous donnons de nombreux messages de sécurité importants dans ce manuel et sur votre appareil ménager. Assurez-vous de toujours lire tous les messages de sécurité et de vous y conformer.



Voici le symbole d'alerte de sécurité.

Ce symbole d'alerte de sécurité vous signale les dangers potentiels de décès et de blessures graves à vous et à d'autres.

Tous les messages de sécurité suivront le symbole d'alerte de sécurité et le mot "DANGER" ou "AVERTISSEMENT". Ces mots signifient :

! DANGER

Risque possible de décès ou de blessure grave si vous ne suivez pas immédiatement les instructions.

! AVERTISSEMENT

Risque possible de décès ou de blessure grave si vous ne suivez pas les instructions.

Tous les messages de sécurité vous diront quel est le danger potentiel et vous disent comment réduire le risque de blessure et ce qui peut se produire en cas de non-respect des instructions.

IMPORTANTES INSTRUCTIONS DE SÉCURITÉ

AVERTISSEMENT: Pour réduire les risques d'incendie, de choc électrique ou des blessures lors de l'utilisation du climatiseur, prendre quelques précautions fondamentales, y compris les suivantes:

- Rancer sur une prise à alvéoles reliée à la terre.
- Ne pas enlever la broche de liaison à la terre.
- Ne pas utiliser un adaptateur.
- Cet appareil ne convient pas à une utilisation par des personnes, y compris des enfants, dont les capacités physiques sensorielles ou mentales sont différentes ou réduites ou qui ne possèdent pas l'expérience, les connaissances ou l'expertise nécessaires afin d'être supervisées ou d'avoir reçu des instructions concernant l'utilisation par une personne responsable de leur sécurité.
- Ne pas utiliser un câble de rallonge.
- Débrancher le climatiseur avant l'entretien.
- Ne pas utiliser deux ou plus de personnes pour déplacer et installer le climatiseur.
- Ne pas boire l'eau recueillie dans le bac.
- Les enfants doivent être placés sous surveillance afin de s'assurer qu'ils ne jouent pas avec l'appareil.

CONSERVEZ CES INSTRUCTIONS

Jeter l'appareil :

- Avant de jeter l'appareil, consulter votre détaillant local ou le centre de recyclage de votre région pour obtenir des renseignements sur la façon de le jeter de façon responsable pour l'environnement.
- Jeter ou recycler les matériaux d'emballages de façon responsable pour l'environnement.

EXIGENCES D'INSTALLATION

Exigences d'emplacement

IMPORTANT : Observer les dispositions de tous les codes et règlements en vigueur.

Inspecter l'emplacement où le climatiseur sera installé. S'assurer d'avoir tout le nécessaire pour une installation correcte.

L'emplacement d'installation doit disposer de :

- Une prise électrique avec liaison à la terre située à moins de 4,27 pi (130 cm) du point de sortie du cordon d'alimentation du climatiseur.

REMARQUE : Ne pas utiliser de rallonge.

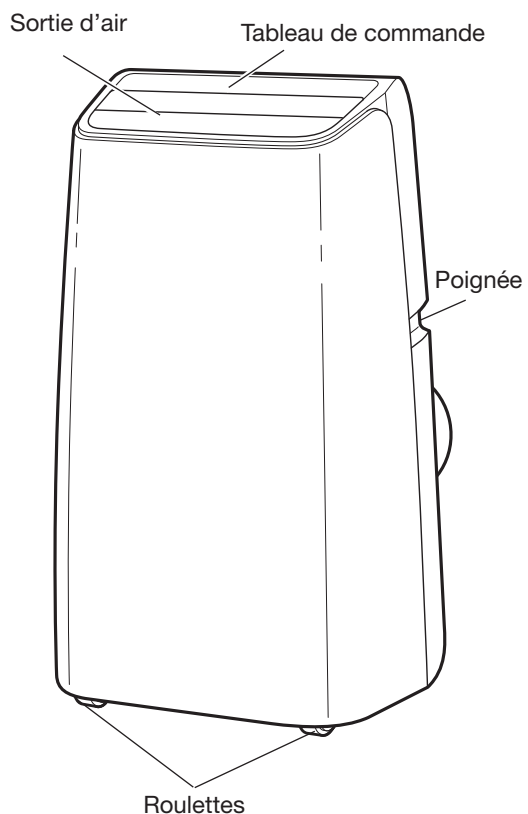
- Une libre circulation de l'air dans la pièce à refroidir.

- Une ouverture de taille suffisante pour le climatiseur. Les pièces d'installation sont fournies pour des fenêtres à guillotine à deux châssis mobiles.
- Laisser au moins 10 po (25 cm) d'espace entre l'appareil et les murs ou meubles.

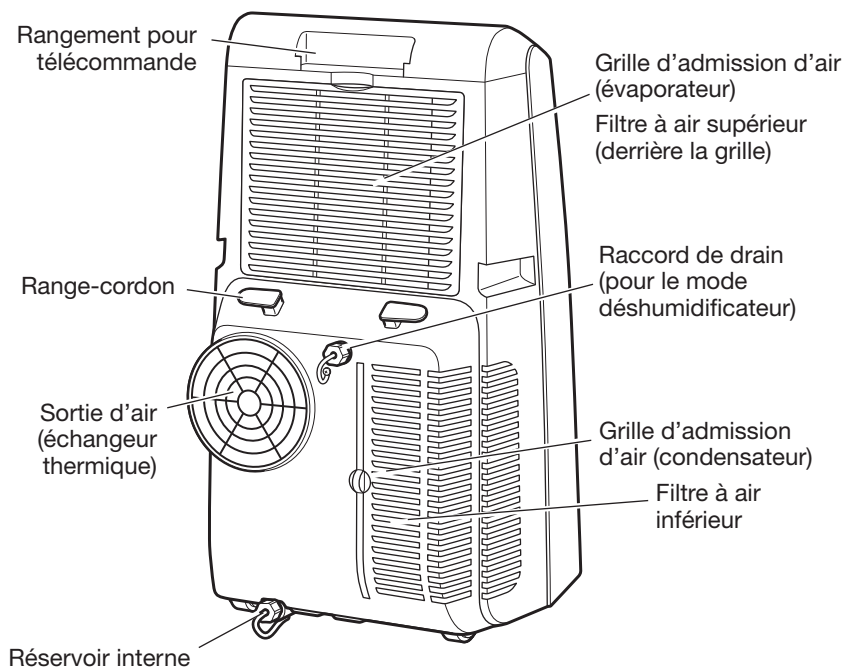
REMARQUE : Les événements de l'appareil ne doivent pas être obstrués. Ne pas positionner l'appareil en avant de tentures ou de rideaux; ils pourraient obstruer l'entrée d'air.

PIÈCES ET CARACTÉRISTIQUES

Vue de face

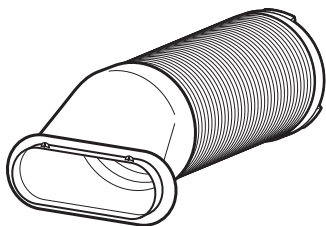
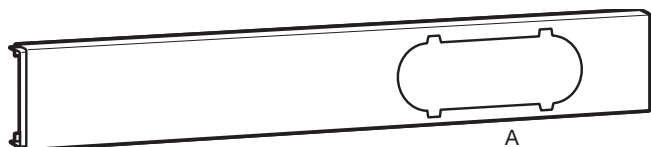


Vue arrière



Pièces d'installation fournies

Vérifier que toutes les pièces sont présentes dans le sachet de pièces.



A. Panneau de fenêtre à un seul conduit (1)

B. Conduit flexible (1)

Exigences électriques

⚠ AVERTISSEMENT



Risque de choc électrique

- Brancher sur une prise à 3 alvéoles reliée à la terre.
- Ne pas enlever la broche de liaison à la terre.
- Ne pas utiliser un adaptateur.
- Ne pas utiliser un câble de rallonge.
- Le non-respect de ces instructions peut causer un décès, un incendie ou un choc électrique.

Les caractéristiques électriques du climatiseur sont indiquées sur la plaque signalétique. La plaque signalétique des numéros de modèle et de série est située au dos du climatiseur.

Spécifications électriques



- 115 V (103,5 min – 126,5 max)
- 0 à 12 A
- Fusible temporisé 15 A ou disjoncteur
- Si une étiquette "Circuit indépendant seulement" est apposée sur l'appareil, utiliser l'appareil sur un circuit où rien d'autre n'est branché. Si ce n'est pas possible, il incombe à l'utilisateur de faire installer par un électricien qualifié un circuit où l'appareil pourra être branché seul.
- Si aucune étiquette "Circuit indépendant seulement" n'est apposée sur l'appareil, l'appareil peut être branché à toute prise offrant la bonne tension et la protection adéquate.

Méthode de liaison à la terre recommandée

Ce climatiseur doit être relié à la terre. Ce climatiseur est équipé d'un cordon d'alimentation électrique à trois broches pour la liaison à la terre. Pour minimiser les risques de choc électrique, on doit brancher le cordon sur une prise de courant de configuration correspondante, à 3 alvéoles, reliée à la terre et installée conformément à tous les codes et règlements locaux. Si une prise de courant compatible n'est pas disponible, il incombe au client de faire installer par un électricien qualifié une prise de courant à 3 alvéoles convenablement reliée à la terre. Il incombe au client de :

- Contacter un électricien qualifié.
- Veiller à ce que l'installation électrique soit réalisée de façon adéquate et en conformité avec le code national de l'électricité, ANSI/NFPA 70 – plus récente édition, et tous les codes et règlements locaux en vigueur.

On peut obtenir des exemplaires des normes mentionnées à l'adresse suivante :

National Fire Protection Association
1 Batterymarch Park
Quincy, MA 02269

Cordon d'alimentation

REMARQUE : Le cordon d'alimentation de votre climatiseur peut être différent de celui illustré. Ce climatiseur portable est équipé d'un cordon d'alimentation conforme aux exigences de l'UL. Ce cordon d'alimentation comporte des circuits électroniques d'avant-garde détectant les courants de fuite. En cas d'écrasement du cordon d'alimentation, les circuits électroniques détectent les courants de fuite et l'alimentation est interrompue en une fraction de seconde.

⚠ AVERTISSEMENT



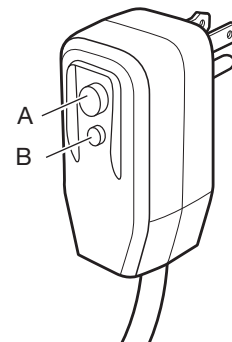
Risque de choc électrique

- Brancher sur une prise à 3 alvéoles reliée à la terre.
- Ne pas enlever la broche de liaison à la terre.
- Ne pas utiliser un adaptateur.
- Ne pas utiliser un câble de rallonge.
- Le non-respect de ces instructions peut causer un décès, un incendie ou un choc électrique.

Pour tester le cordon d'alimentation :

- Brancher le cordon d'alimentation électrique dans une prise à trois alvéoles reliée à la terre.
- Appuyer sur RESET (réinitialisation) (un témoin lumineux vert s'illumine sur certains modèles).
- Appuyer sur TEST.
- Appuyer et relâcher le bouton RESET (réinitialisation). Le cordon d'alimentation est prêt à être utilisé.

- A. Bouton de réinitialisation
- B. Bouton de test



REMARQUE :

- Le bouton Reset (réinitialisation) doit être enfoncé pour une utilisation correcte.
- Le cordon d'alimentation doit être remplacé s'il ne se déclenche pas lorsqu'on appuie sur le bouton de test ou si l'appareil n'est pas réinitialisé.
- Ne pas utiliser le cordon d'alimentation comme interrupteur. Le cordon d'alimentation est conçu pour remplir les fonctions de dispositif de protection.
- Un cordon d'alimentation endommagé ne doit pas être réparé, mais remplacé par un cordon d'alimentation neuf que l'on peut se procurer auprès du fabricant du produit.
- Le cordon d'alimentation ne comprend aucune pièce réparable. Ouvrir le boîtier inviolable annule toute garantie et réclamation pour mauvaise performance.

INSTRUCTIONS D'INSTALLATION

Préparer le climatiseur pour l'installation

AVERTISSEMENT

Risque du poids excessif

Utiliser deux ou plus de personnes pour déplacer et installer le climatiseur.

Le non-respect de cette instruction peut causer une blessure au dos ou d'autre blessure.

Enlever les matériaux d'emballage :

- Manipuler le climatiseur avec soin pendant le déballage.
- Enlever le carton du dessus et soulever le climatiseur du socle.
- Enlever tout résidu de ruban adhésif et de colle des surfaces avant de mettre le climatiseur en marche. Frotter une petite quantité de savon liquide à vaisselle sur l'adhésif avec les doigts. Essuyer avec un linge propre et sécher.
- Ne pas utiliser d'instruments coupants, d'alcool à friction, de liquides inflammables ou de nettoyants abrasifs pour enlever le ruban adhésif ou la colle. Ces produits peuvent endommager la surface de votre climatiseur.
- Vérifier tous les matériaux d'emballage pour s'assurer qu'aucune pièce n'est jetée.
- Jeter ou recycler les matériaux d'emballages de façon convenable.

Exigences de l'ouverture dans la fenêtre

Ce climatiseur peut être utilisé avec une fenêtre à guillotine à deux châssis mobiles et à guillotine normales.

Mesures de l'ouverture dans la fenêtre à guillotine à deux châssis :

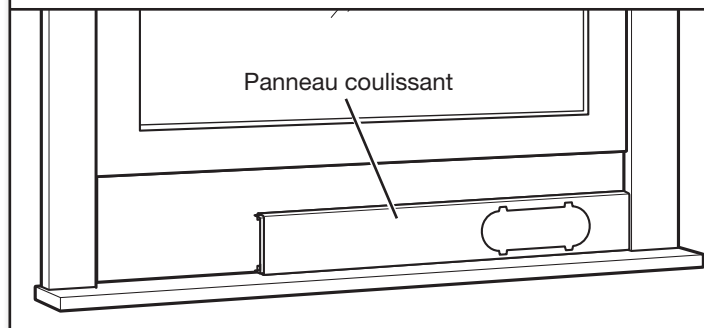
- Largeur d'ouverture minimum de 26 $\frac{5}{8}$ po (67,6 cm) et maximum de 52 po (1,35 m)
- Hauteur d'ouverture minimum de 4 po (10,2 cm)

Mesures de l'ouverture dans la fenêtre à guillotine normale :

- Largeur d'ouverture minimum de 4 po (10,2 cm)
- Hauteur d'ouverture minimum de 26 $\frac{5}{8}$ po (67,6 cm) et maximum de 52 po (1,35 m)

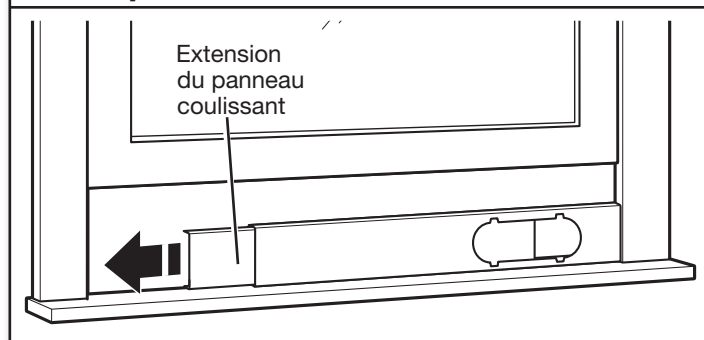
IMPORTANT : Pour les ouvertures de fenêtre entre 26 $\frac{5}{8}$ po (67,6 cm) et 37 po (94 cm), il sera nécessaire de couper le panneau coulissant selon l'ouverture.

1. Placer le panneau coulissant dans la fenêtre



Placer le panneau de fenêtre coulissant dans l'ouverture de la fenêtre.

2. Allonger et bien positionner le panneau coulissant



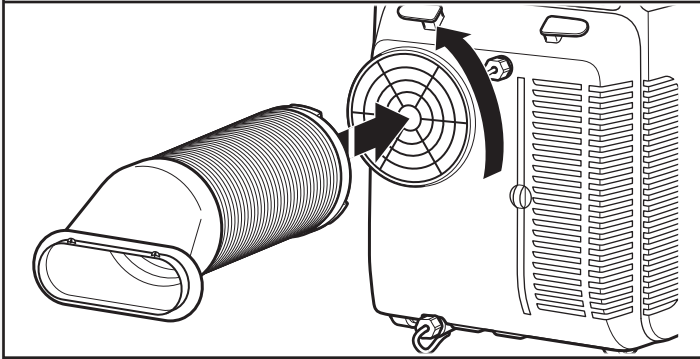
Allonger l'extension du panneau coulissant jusqu'à obtenir la bonne longueur pour la fenêtre. S'assurer que l'ouverture du conduit de ventilation n'est pas couverte.

Si la fenêtre est trop étroite pour y placer le panneau coulissant sans obstruer l'ouverture du conduit de ventilation.

1. Enlever l'extension du panneau coulissant.
2. À l'aide d'une scie à main, couper l'extension du panneau coulissant en fonction de l'ouverture de la fenêtre. Laisser le panneau le plus long possible sans couvrir l'ouverture du panneau coulissant.
3. Remplacer l'extension dans le panneau coulissant.

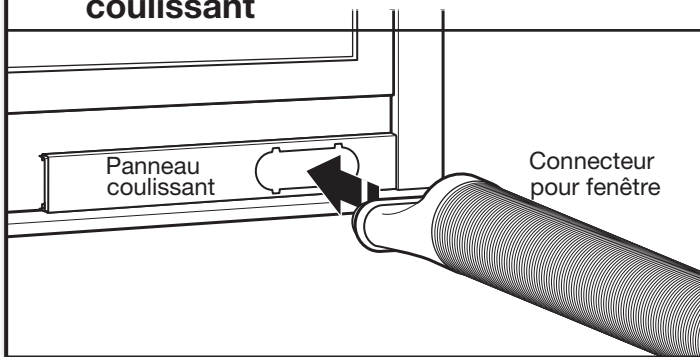
Assemblage du conduit flexible

1. Fixer le conduit flexible au climatiseur



Insérer le connecteur rond du conduit flexible dans l'orifice de sortie situé à l'arrière du climatiseur. Tourner dans le sens antihoraire pour l'emboîter.

2. Fixer le conduit flexible au panneau coulissant



Replacer le climatiseur à l'endroit souhaité.

Étirer suffisamment le conduit flexible pour relier le climatiseur et la fenêtre. S'assurer qu'il n'y a aucun coude serré ou pli dans le tuyau.

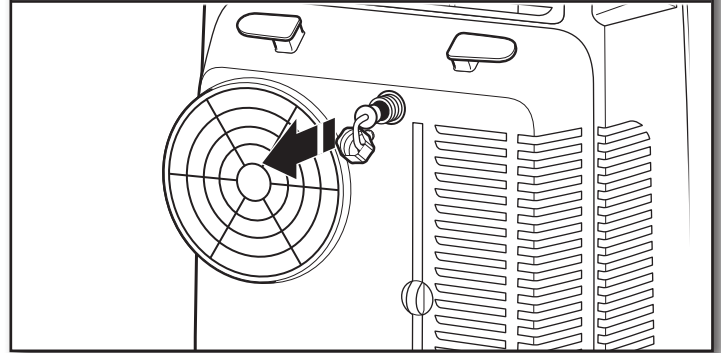
Placer le côté fenêtre du conduit flexible dans l'ouverture du panneau coulissant comme indiqué. Il s'emboîte en place.

Raccord du tuyau de vidange (optionnel)

Si le climatiseur est utilisé comme déshumidificateur seulement, il est possible de raccorder un tuyau (vendu séparément) pour drainer l'eau dans le drain de plancher.

Le tuyau de vidange doit être positionné plus bas que le raccord de drain situé à l'arrière du climatiseur.

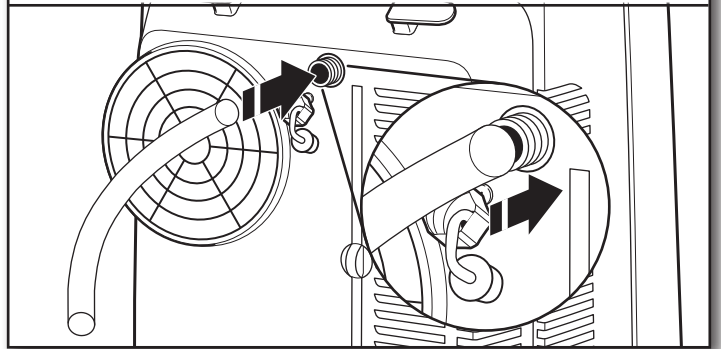
1. Enlever le bouchon du raccord de tuyau de vidange



Faire tourner le bouchon de drain dans le sens antihoraire pour l'enlever, puis retirer le bouchon de drain en caoutchouc.

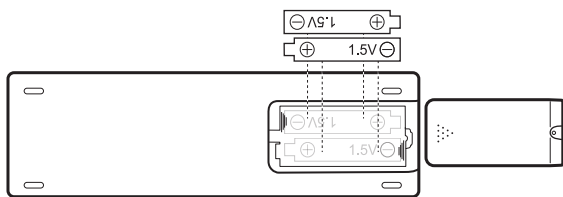
Ranger le bouchon dans un endroit sûr pour pouvoir l'utiliser à nouveau plus tard.

2. Installation du tuyau d'évacuation



Insérer le tuyau d'évacuation dans le raccord de tuyau du climatiseur. Insérer l'autre extrémité du tuyau de vidange dans le drain de plancher ou dans un autre drain convenable.

Installer/remplacer les piles de la télécommande



REMARQUE : La télécommande utilise 2 piles AAA de 1,5 V (incluses). Remplacer les piles lorsque le témoin de niveau de charge de la pile au coin droit supérieur de l'affichage de la télécommande apparaît vide.

Pour enlever les piles :

Retirer le couvercle du compartiment de piles, puis les piles.

Pour installer les piles :

Placer les piles dans le compartiment à piles comme indiqué, remplacer le couvercle.

REMARQUE :

- Ne pas échapper la télécommande pour ne pas l'endommager.
- Enlever les piles si la télécommande n'est pas utilisée pendant un mois ou plus.
- Jeter les piles de façon responsable.

Raccordement électrique

⚠ AVERTISSEMENT



Risque de choc électrique

Brancher sur une prise à 3 alvéoles reliée à la terre.

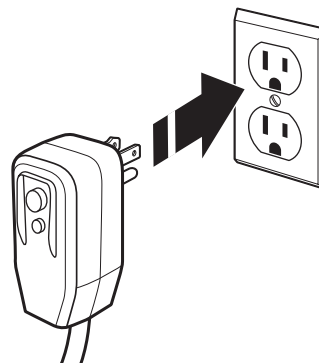
Ne pas enlever la broche de liaison à la terre.

Ne pas utiliser un adaptateur.

Ne pas utiliser un câble de rallonge.

Le non-respect de ces instructions peut causer un décès, un incendie ou un choc électrique.

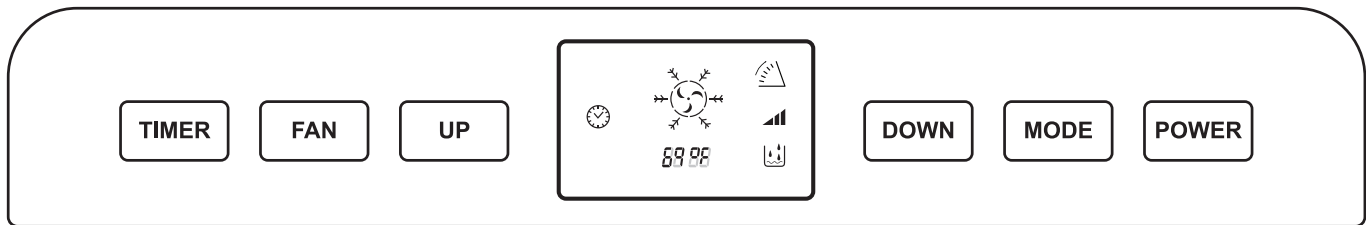
1. Brancher à une prise à trois alvéoles reliée à la terre



Brancher sur une prise à 3 alvéoles reliée à la terre.

Appuyer sur le bouton RESET (réinitialisation) situé sur le cordon d'alimentation. Consulter les "Spécifications électriques".

UTILISATION DE VOTRE CLIMATISEUR



L'apparence peut varier.

Mettre en marche/arrêter le climatiseur

Pour mettre en marche ou éteindre le climatiseur, appuyer sur POWER (alimentation).

POWER

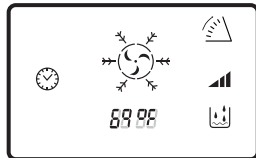
IMPORTANT :

- Si on doit éteindre le climatiseur, attendre au moins 3 minutes avant de le rallumer. Ceci empêche le climatiseur de faire griller un fusible ou déclencher le disjoncteur.
- La plage de température de fonctionnement recommandée est comprise entre 44°F (7°C) et 95°F (35°C). L'utilisation du climatiseur hors de cette plage peut causer le gel du serpentin de l'évaporateur, et le climatiseur peut ne pas fonctionner correctement.

REMARQUE : En cas de panne de courant, votre climatiseur fonctionnera aux réglages précédents une fois le courant rétabli.

Affichage

Pendant le fonctionnement normal, l'afficheur indique la température ambiante actuelle, le mode et les réglages. Lorsqu'on appuie sur les boutons UP et DOWN, l'appareil affiche la température sélectionnée ou la minuterie.



Sélectionner le mode

Le bouton de mode propose trois réglages :

- Froide
- Déshumidificateur
- Ventilation

MODE

Appuyer sur le bouton MODE jusqu'à ce que le témoin lumineux s'arrête sur le réglage souhaité.

Mode refroidissement

Dans ce mode, le climatiseur refroidit l'air de la pièce et expulse l'air chaud à l'extérieur à l'aide du conduit flexible. Régler la vitesse du ventilateur et la température selon vos préférences. La température peut être réglée entre 60 °F à 86 °F (16 °C à 30 °C).



IMPORTANT : Le conduit flexible doit expulser l'air chaud à l'extérieur pendant l'utilisation du mode refroidissement.

Mode déshumidificateur

L'appareil déshumidifie l'air sans la faire refroidir. La vitesse du ventilateur est réglée automatiquement à BASSE et ne peut pas être ajustée.

IMPORTANT : Pour des résultats optimaux, raccorder le tuyau de vidange.

Mode ventilateur

Ce mode n'utilise que le ventilateur. Il permet de faire circuler l'air dans la pièce sans la refroidir.

REMARQUE : Le climatiseur n'a pas besoin d'expulser l'air à l'extérieur pendant l'utilisation du mode ventilateur.

Sélectionner la vitesse du ventilateur

Le ventilateur peut être réglé à 3 vitesses :

- Bas
- Moyenne
- Élevée

Appuyer sur le bouton FAN (ventilateur) jusqu'à ce que le réglage souhaité est sélectionné.

Réglage de la température

Appuyer sur les boutons UP et DOWN pour modifier le réglage de température par incréments de 1°. La température peut être réglée entre 60 °F à 86 °F (16 °C à 30 °C). Après 10 secondes, l'afficheur indique de nouveau la température ambiante. **REMARQUE :** La température ne peut être réglée qu'en mode refroidissement.

Lors de l'utilisation du mode TIMER (minuterie), appuyer sur les boutons UP et DOWN pour régler le délai de mise en marche ou d'arrêt du climatiseur.

UP

DOWN

Utiliser la minuterie

Arrêt automatique

Il est possible d'ajuster le climatiseur sur 24 heures pour qu'il s'arrête automatiquement après un certain nombre d'heures.

TIMER

Pour configurer l'arrêt automatique :

1. Mettre le climatiseur en mode ventilateur, puis appuyer sur TIMER (minuterie).
2. Utiliser les boutons UP et DOWN pour choisir le nombre d'heures, jusqu'à 24 heures. Le témoin TIMER (minuterie) reste allumé pour laisser savoir que la minuterie est réglée.
3. Après avoir configuré le temps, le climatiseur s'arrête automatiquement.

Mise en marche automatique

Il est possible d'ajuster le climatiseur pour qu'il se mette en marche automatiquement après un certain nombre d'heures.

1. Arrêter le climatiseur, puis appuyer sur TIMER (minuterie).
2. Utiliser le bouton UP ou DOWN pour choisir le nombre d'heures d'attente avant la mise en marche du climatiseur, jusqu'à 24 heures. Le témoin TIMER (minuterie) est affiché pour laisser savoir que la minuterie est réglée.
3. Après avoir réglé la minuterie, le climatiseur se met en marche automatiquement en mode refroidissement et utilise les dernières température et vitesse de ventilateur utilisées.

Autres fonctions

Avertissement Réservoir plein "FL"

Le climatiseur est muni d'un réservoir interne qui permet d'accumuler l'eau de condensation. Cette eau s'évapore et est habituellement expulsée à l'extérieur. Cependant, en période de grande humidité, ce réservoir peut se remplir. Si cela se produit, "FL" apparaît sur l'afficheur, un signal retentit, et le climatiseur s'arrête jusqu'à ce que le réservoir interne soit vidé. Voir la section «Entretien et nettoyage».

Bruits de fonctionnement normaux

Lorsque le climatiseur fonctionne normalement, on peut percevoir certains sons comme :

- Gouttelettes d'eau qui heurtent le condenseur, causant un cliquetis ou un cliquettement. Les gouttelettes d'eau contribuent au refroidissement du condenseur.
- Mouvement de l'air sous l'effet du ventilateur.
- Déclics émis par le thermostat.
- Vibrations ou bruits imputables à une construction médiocre du mur ou de la fenêtre.
- Bourdonnement à fréquence élevée ou pulsations à cause du compresseur moderne à haute efficacité qui se met en marche et s'arrête de façon intermittente.

Utilisation de la télécommande

La télécommande permet de mettre en marche et arrêter le climatiseur, de sélectionner le mode et la vitesse du ventilateur, et de régler la température et l'heure en utilisant la même méthode de réglage du panneau de commande. L'afficheur ACL de la télécommande affiche le mode actuel et les réglages.

Des fonctions supplémentaires ne sont disponibles que depuis la télécommande.

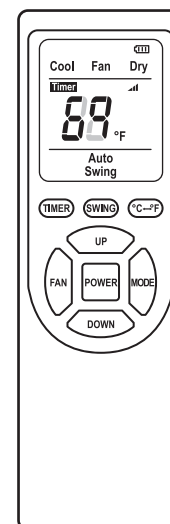
Affichage Fahrenheit ou Celsius

Appuyer sur le bouton °C-°F de la télécommande pour faire passer l'affichage de °F à °C.

Auto Swing Mode (mode d'oscillation automatique) :

Appuyer sur le bouton Swing active ou désactive le mode d'oscillation automatique. En mode d'oscillation automatique, les volets de sortie d'air se déplaceront automatiquement pour améliorer la circulation. Auto Swing (oscillation automatique) apparaîtra sur l'afficheur de la télécommande et l'icône Auto Swing apparaîtra sur l'afficheur du climatiseur.

REMARQUE : L'apparence de la télécommande peut varier.



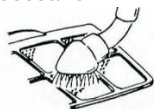
ENTRETIEN ET NETTOYAGE

Votre nouveau climatiseur est conçu pour vous fournir de nombreuses années de fonctionnement fiable. Cette section vous expliquera comment nettoyer et entretenir votre climatiseur correctement.

Nettoyage des filtres à air

Les filtres à air sont amovibles pour faciliter le nettoyage. Un filtre à air propre aide à retenir les particules de poussière, la charpie et les autres débris en suspension dans l'air et il est important pour obtenir un refroidissement et une efficacité de fonctionnement de grande qualité. Vérifier les filtres toutes les 2 semaines pour déterminer si un nettoyage est nécessaire.

REMARQUE : Pour obtenir le meilleur rendement, ne pas faire fonctionner le climatiseur si les filtres ne sont pas en place.

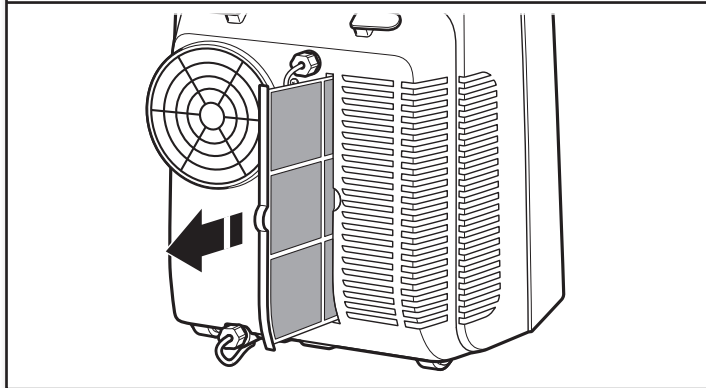


Nettoyer les filtres à air à l'aide d'un aspirateur. Si les filtres à air sont très sales, les laver avec de l'eau tiède et un détergent doux.

REMARQUE : Ne pas laver les filtres à air au lave-vaisselle ni n'utiliser de produits nettoyants chimiques pour ne pas les endommager. Faire sécher complètement les filtres à air à l'air libre avant de les réinstaller, afin d'assurer une efficacité maximale.

Retirer le filtre à air inférieur

1. Retirer le filtre à air inférieur



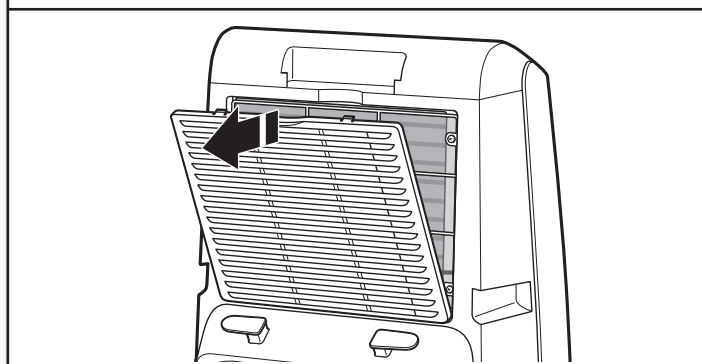
1. Arrêter le climatiseur.
2. Retirer le filtre à air inférieur de l'arrière du climatiseur.

Réinstallation le filtre à air :

1. Réinstaller le filtre dans le climatiseur en inversant l'étape 2 ci-dessus.

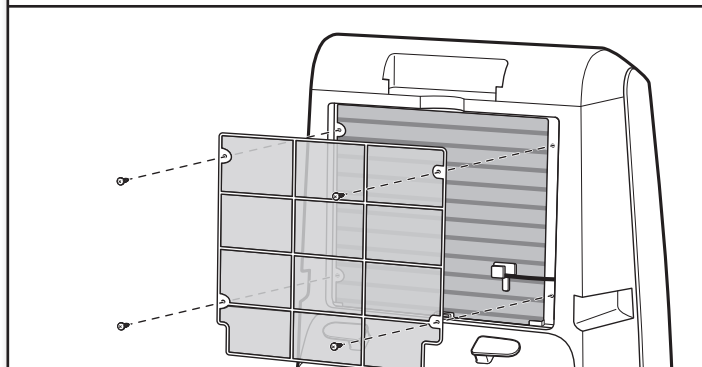
Retirer le filtre à air supérieur

1. Retirer le couvercle du conduit d'admission d'air



1. Arrêter le climatiseur.
2. Retirer le couvercle de conduit d'admission d'air et tirant sur le dessus du couvercle, puis en retirant les onglets du bas des fentes du climatiseur.

2. Retirer le filtre à air



1. En utilisant un tournevis Phillips, enlever les vis qui retiennent le filtre en place.
2. Enlever le filtre à air du climatiseur.

Réinstallation le filtre à air :

1. Réinstaller le filtre dans le climatiseur.
2. Insérer les onglets du bas du couvercle de conduit d'admission d'air dans les fentes du climatiseur, puis appuyer sur le dessus du couvercle jusqu'à ce qu'il s'emboîte.

Nettoyage du boîtier du climatiseur

1. Arrêter le climatiseur.
2. Essuyer le boîtier du climatiseur avec un linge doux et humide.
3. Sécher parfaitement avec un linge doux.

Ranger le climatiseur

⚠ AVERTISSEMENT

Risque du poids excessif

Utiliser deux ou plus de personnes pour déplacer et installer le climatiseur.

Le non-respect de cette instruction peut causer une blessure au dos ou d'autre blessure.

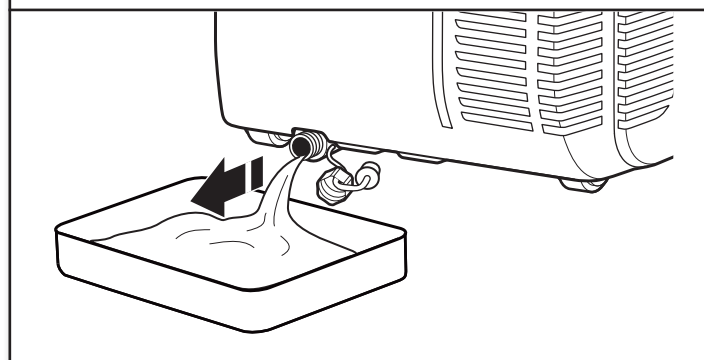
Si le climatiseur n'est pas utilisé pendant une bonne période de temps, le préparer pour le rangement en suivant les étapes suivantes.

1. Faire fonctionner le climatiseur en mode ventilateur pendant quelques heures pour éliminer l'humidité de ses serpentins.
2. Arrêter le climatiseur et le débrancher. Retirer la pile de la télécommande.
3. Enlever le bouchon de drain du réservoir interne pour enlever toute l'eau restant dans le réservoir. Voir "Drainer le réservoir interne".
4. Enlever, nettoyer, puis remettre en place le filtre.
5. Enlever le tuyau flexible et le panneau de fenêtre coulissant et les ranger dans un endroit sécuritaire.

Drainer le réservoir interne

Si le climatiseur s'éteint et FL apparaît sur l'afficheur, il est nécessaire de drainer ce dernier avant d'utiliser de nouveau le climatiseur.

1. Drainer le réservoir interne



1. Arrêter et débrancher le climatiseur.
2. Placer une cuvette ou une petite chaudière sous le drain.
3. Enlever le bouchon de drain en le tournant dans le sens antihoraire.
4. Enlever le bouchon de drain en caoutchouc.
5. Laisser l'eau s'écouler dans la cuvette ou la petite chaudière.
6. Réinstaller le bouchon de drain en caoutchouc en l'insérant fermement en place.
7. Insérer le bouchon de drain dans le drain en effectuant un mouvement horaire, puis serrer à la main.

DÉPANNAGE

Avant de faire un appel de service, consulter les suggestions ci-dessous pour voir si le problème peut être résolu sans aide extérieure.

Le climatiseur ne fonctionne pas

⚠ AVERTISSEMENT



Risque de choc électrique

Brancher sur une prise à 3 alvéoles reliée à la terre.

Ne pas enlever la broche de liaison à la terre.

Ne pas utiliser un adaptateur.

Ne pas utiliser un câble de rallonge.

Le non-respect de ces instructions peut causer un décès, un incendie ou un choc électrique.

- Le cordon d'alimentation électrique est débranché. Brancher l'appareil sur une prise à 3 alvéoles reliée à la terre. Consulter les "Spécifications électriques".
- Le cordon d'alimentation s'est déclenché (bouton Reset (réinitialisation) est ressorti). Appuyer et relâcher le bouton RESET (réinitialisation) pour reprendre le fonctionnement.
- Un fusible est grillé ou un disjoncteur s'est ouvert. Remplacer le fusible ou réenclencher le disjoncteur. Si le problème persiste, appeler un électricien. Consulter les "Spécifications électriques".
- Le bouton d'alimentation POWER n'a pas été enfoncé. Appuyer sur Power (mise en marche).
- Le circuit d'alimentation local est en panne. Attendre que l'alimentation locale soit rétablie.
- Le réservoir interne est plein. Si "FL" apparaît sur l'afficheur, vider le réservoir. Voir "Drainer le réservoir interne".

Le climatiseur fait griller les fusibles ou déclenche les disjoncteurs

- Trop d'appareils sont branchés sur le même circuit. Débrancher ou déplacer les appareils partageant le même circuit.
- L'utilisateur emploie un fusible temporisé ou un disjoncteur de capacité inappropriée. Les remplacer par un fusible temporisé ou un disjoncteur de capacité correcte. Consulter les "Spécifications électriques".
- L'utilisateur tente de remettre le climatiseur en marche trop rapidement après l'avoir arrêté. Attendre au moins 3 minutes après l'arrêt du climatiseur avant de tenter une nouvelle mise en marche.

Le cordon d'alimentation du climatiseur se déclenche (le bouton Reset s'éjecte)

- Des perturbations dans le courant électrique peuvent déclencher le cordon d'alimentation (le bouton Reset ressort). Appuyer et relâcher le bouton RESET (réinitialisation) pour reprendre le fonctionnement.
- Surcharge électrique, surchauffe, cordon pincé ou vieillissement peuvent déclencher le cordon d'alimentation (le bouton Reset ressort). Après avoir corrigé le problème, appuyer et relâcher le bouton RESET (réinitialisation) pour reprendre le fonctionnement.

REMARQUE : Un cordon d'alimentation endommagé ne doit pas être réparé, mais remplacé par un cordon d'alimentation neuf que l'on peut se procurer auprès du fabricant du produit.

Le climatiseur semble se mettre en marche trop fréquemment

- Ce climatiseur remplace un vieux modèle. Du fait de l'utilisation de composants plus efficaces, il est possible que le climatiseur fonctionne pendant de plus longues périodes que l'ancien modèle, mais sa consommation totale d'énergie sera plus faible. Les nouveaux climatiseurs ne projettent pas un puissant jet d'air froid comme les anciens modèles, mais ceci n'indique pas une réduction de la capacité de refroidissement ou de l'efficacité. Se référer à l'indice d'efficacité (EER) et l'indice de capacité (en BTU/h) indiqués sur le climatiseur.
- Le climatiseur est installé dans une pièce encombrée ou dans laquelle des appareils générateurs de chaleur sont installés. Utiliser des ventilateurs d'évacuation d'air pendant les opérations de cuisson ou pendant le bain, et essayer de ne pas utiliser d'appareils générateurs de chaleur pendant les périodes les plus chaudes de la journée. Il peut être nécessaire de choisir un climatiseur de plus grande puissance, selon la taille de la pièce à refroidir.

Le climatiseur s'allume et s'éteint trop fréquemment ou ne refroidit pas la pièce au mode refroidissement

- La taille du climatiseur n'est pas appropriée à la pièce. Vérifier la capacité de refroidissement du climatiseur de la pièce. Les climatiseurs pour une seule pièce ne sont pas conçus pour refroidir plusieurs pièces.
- Le filtre est sale ou obstrué par des débris. Nettoyer le filtre.
- Il y a trop de chaleur ou d'humidité dans la pièce (cuisson dans des récipients sans couvercle, douches, etc.). Utiliser un ventilateur pour évacuer la chaleur ou l'humidité de la pièce. Essayer de ne pas utiliser des appareils générateurs de chaleur pendant les périodes les plus chaudes de la journée.

- Le conduit d'admission d'air est obstrué. Installer le climatiseur dans un endroit où les événements ne sont pas obstrués par des rideaux, stores, meubles, etc.
- La température de la pièce à refroidir est extrêmement élevée. Accorder du temps supplémentaire au climatiseur pour refroidir une pièce très chaude.
- Les fenêtres ou portes sur l'extérieur sont ouvertes. Fermer toutes les portes et fenêtres.
- Le réglage de la température n'est pas suffisamment froid. Réglez la commande de température à un niveau plus froid en appuyant sur le bouton "Down" (moins) pour réduire la température. Réglez la commande de Fan Speed (vitesse du ventilateur) sur le réglage désiré.

Code d'erreur sur l'affichage

- Si E1 ou E2 s'affichent, faire un appel de service.
- Si "FL" apparaît sur l'afficheur, vider l'eau du réservoir.

La télécommande ne fonctionne pas

- Vérifier le niveau de charge de la pile sur l'afficheur de la télécommande. Au besoin, remplacer les piles.
- S'assurer que la télécommande est orientée vers le climatiseur et que rien ne bloque la fenêtre du capteur de la télécommande sur le panneau de commande.

SPÉCIFICATIONS

Modèles	AMAP101AW / AB / AD-2	AMAP121AW / AB / AD-2
Tension/fréquence	115 VAC/60Hz	115 VAC/60Hz
Intensité	8,5 A	10 A
Capacité de refroidissement (BTU/heure)	10,000	12,000
SACC (BTU/heure)	6,500	7,500
Type de liquide de refroidissement	R410A	R410A
Minuterie	24-heures	24-heures
Dimensions L x P x H	14,2 po x 16,9 po x 28,7 po 36,4 x 42,9 x 72,9 cm	14,2 po x 16,9 po x 28,7 po 36,4 x 42,9 x 72,9 cm
Poids	54,0 lbs. 24,5 kg	60,6 lbs. 27,5 kg

ASSISTANCE OU SERVICE

Avant de faire un appel pour assistance ou service, vérifiez la section "Dépannage". Cette vérification peut vous faire économiser le coût d'une intervention de dépannage. Si vous avez encore besoin d'aide, suivez les instructions ci-dessous.

Avant d'appeler, vous devez connaître la date d'achat et les numéros de modèle et de série complets de votre appareil. Ces renseignements nous aideront à mieux répondre à votre demande.

Aux É.-U.

Composer le numéro du service à la clientèle de XLS Products :
1 800 207-1156

Nos consultants peuvent vous aider sur les points suivants :

- Caractéristiques et spécifications de notre gamme complète d'appareils ménagers.
- Renseignements sur l'installation.
- Procédures d'utilisation et d'entretien.
- Accessoires et pièces de rechange.
- Aide spécialisée à la clientèle.
- Orientation vers des concessionnaires, compagnies de service de réparation et distributeurs de pièces de rechange locaux. Les techniciens de service désignés de XLS Products sont formés pour remplir la garantie des produits et fournir un service après garantie partout aux États-Unis.

Pour plus d'assistance :

Si vous avez besoin de plus d'assistance, vous pouvez écrire à XLS Products en soumettant toute question ou tout problème à :

XLS Products, Inc.
Customer Service
P.O. Box 16262
Philadelphia, PA 19114-0262

N'oubliez pas d'indiquer dans votre correspondance un numéro de téléphone où l'on peut vous joindre dans la journée.

Au Canada

Composer le numéro du service à la clientèle de XLS Products :
1 800 207-1156

Nos consultants peuvent vous aider sur les points suivants :

- Caractéristiques et spécifications de notre gamme complète d'appareils ménagers.
- Procédures d'utilisation et d'entretien.
- Accessoires et pièces de rechange.
- Orientation vers des concessionnaires, distributeurs de pièces de rechange et services de réparation locaux. Les techniciens de service désignés de XLS Products sont formés pour remplir la garantie des produits et fournir un service après la garantie, partout au Canada.

Pour plus d'assistance :

Si vous avez besoin de plus d'assistance, vous pouvez écrire à XLS Products en soumettant toute question ou tout problème à :

XLS Products, Inc.
Customer Service
P.O. Box 16262
Philadelphia, PA 19114-0262

N'oubliez pas d'indiquer dans votre correspondance un numéro de téléphone où l'on peut vous joindre dans la journée.

GARANTIE DE XLS PRODUCTS POUR LES CLIMATISEURS AMANA®

GARANTIE LIMITÉE DE UN AN

Pendant un an à compter de la date d'achat, lorsque ce produit est utilisé et entretenu conformément aux instructions jointes à ou fournies avec le produit, XLS Products paiera pour les pièces de rechange et la main-d'œuvre pour corriger les vices de matériaux ou de fabrication ou remplacera le produit à sa seule discrétion. L'entretien doit être fourni par une compagnie de service désignée par XLS Products. Cette garantie ne couvre pas le filtre à air.

XLS PRODUCTS NE PRENDRA PAS EN CHARGE

1. Les visites de service pour rectifier l'installation de votre produit, pour vous montrer comment utiliser le produit, pour remplacer des fusibles de la maison, réenclencher les disjoncteurs, remplacer ou nettoyer les filtres ou rectifier le câblage électrique.
2. Les interventions de dépannage pour réparer ou remplacer des filtres à air. Ces pièces consommables ne sont pas couvertes par la garantie.
3. Les réparations lorsque le produit est utilisé à des fins autres que l'usage unifamilial normal.
4. Les dommages imputables à : accident, modification, usage impropre ou abusif, incendie, inondation, actes de Dieu, installation fautive ou installation non conforme aux codes d'électricité ou de plomberie, ou l'utilisation de produits non approuvés par XLS Products.
5. Le coût des pièces de rechange et de la main-d'œuvre de réparation pour les appareils utilisés hors des États-Unis ou du Canada.
6. Le ramassage et la livraison. Ce produit est conçu pour être réparé à domicile.
7. Les réparations aux pièces ou systèmes résultant d'une modification non autorisée faite à l'appareil.
8. Les frais de voyage et de transport pour le service d'un produit dans les régions éloignées.
9. L'enlèvement et la réinstallation de votre appareil si celui-ci est installé dans un endroit inaccessible ou n'est pas installé conformément aux instructions d'installation fournies.

CLAUSE D'EXONÉRATION DE RESPONSABILITÉ AU TITRE DES GARANTIES IMPLICITES; LIMITATION DES RECOURS

LE SEUL ET EXCLUSIF RECOURS DU CLIENT DANS LE CADRE DE LA PRÉSENTE GARANTIE LIMITÉE CONSISTE EN LA RÉPARATION PRÉVUE CI-DESSUS. LES GARANTIES IMPLICITES, Y COMPRIS LES GARANTIES APPLICABLES DE QUALITÉ MARCHANDE OU D'APTITUDE À UN USAGE PARTICULIER, SONT LIMITÉES À UN AN OU À LA PLUS COURTE PÉRIODE AUTORISÉE PAR LA LOI. XLS PRODUCTS N'ASSUME AUCUNE RESPONSABILITÉ POUR LES DOMMAGES FORTUITS OU INDIRECTS. CERTAINES JURIDICTIONS NE PERMETTENT PAS L'EXCLUSION OU LA LIMITATION DES DOMMAGES FORTUITS OU INDIRECTS, OU LES LIMITATIONS DE LA DURÉE DES GARANTIES IMPLICITES DE QUALITÉ MARCHANDE OU D'APTITUDE ONT UN USAGE PARTICULIER, DE SORTE QUE CES EXCLUSIONS OU LIMITATIONS PEUVENT NE PAS S'APPLIQUER DANS VOTRE CAS. CETTE GARANTIE VOUS CONFÈRE DES DROITS JURIDIQUES SPÉCIFIQUES ET VOUS POUVEZ ÉGALEMENT JOUIR D'AUTRES DROITS QUI PEUVENT VARIER D'UNE JURIDICTION À UNE AUTRE.

À l'extérieur du Canada et des 50 États des États-Unis, cette garantie ne s'applique pas. Contacter votre marchand XLS Products autorisé pour déterminer si une autre garantie s'applique.

Si vous avez besoin de service, voir d'abord la section "Dépannage" du Guide d'utilisation et d'entretien. Après avoir vérifié la section "Dépannage", de l'aide supplémentaire peut être trouvée en vérifiant la section "Assistance ou service" ou en appelant XLS Products. Aux États-Unis, composer le 1 800 207-1156.

Au Canada, composer le 1 800 207-1156.

Conservez ce manuel et le reçu de vente au même endroit pour référence ultérieure. Pour un entretien ou une réparation sous garantie, un document attestant de la date d'achat ou d'installation doit être fourni.

Inscrivez les renseignements suivants au sujet de votre climatiseur pour mieux vous aider à obtenir assistance ou réparation en cas de besoin. Vous devrez fournir le numéro de modèle et le numéro de série au complet. Vous trouverez ces renseignements sur la plaque signalétique située sur le produit.

Nom du revendeur _____

Adresse _____

Numéro de téléphone _____

Numéro de modèle _____

Numéro de série _____

Date d'achat _____

SEGURIDAD DEL ACONDICIONADOR DE AIRE

Su seguridad y la seguridad de los demás es muy importante.

Hemos incluido muchos mensajes importantes de seguridad en este manual y en su electrodoméstico. Lea y obedezca siempre todos los mensajes de seguridad.



Este es el símbolo de alerta de seguridad.

Este símbolo le llama la atención sobre peligros potenciales que pueden ocasionar la muerte o una lesión a usted y a los demás.

Todos los mensajes de seguridad irán a continuación del símbolo de advertencia de seguridad y de la palabra "PELIGRO" o "ADVERTENCIA". Estas palabras significan:

! PELIGRO

Si no sigue las instrucciones de inmediato, usted puede morir o sufrir una lesión grave.

! ADVERTENCIA

Si no sigue las instrucciones, usted puede morir o sufrir una lesión grave.

Todos los mensajes de seguridad le dirán el peligro potencial, le dirán cómo reducir las posibilidades de sufrir una lesión y lo que puede suceder si no se siguen las instrucciones.

INSTRUCCIONES IMPORTANTES DE SEGURIDAD

ADVERTENCIA: Para reducir el riesgo de incendio, choque eléctrico o lesiones personales al usar su acondicionador de aire, siga estas precauciones básicas:

- Conecte a un contacto de pared de conexión a tierra de 3 terminales.
- No quite el terminal de conexión a tierra.
- No use un adaptador.
- Este electrodoméstico no ha sido diseñado para ser usado por personas (incluidos niños) con capacidad física, sensorial, o mental diferente o reducida, o con falta de experiencia y conocimiento, a menos que lo hagan bajo supervisión o siguiendo las instrucciones relativas al uso del aparato, a cargo de una persona responsable por su seguridad.
- No use un cable eléctrico de extensión.
- Desconecte el acondicionador de aire antes de darle servicio.
- Use dos o más personas para mover e instalar el acondicionador de aire.
- No tome el agua acumulada en el balde.
- Los niños pequeños deberán estar bajo supervisión para asegurarse de que no jueguen con el electrodoméstico.

CONSERVE ESTAS INSTRUCCIONES

Cómo desechar la unidad:

- Cuando necesite desechar la unidad, consulte con el distribuidor local o el centro de reciclaje local para pedir información sobre cómo desecharla de manera responsable para el medio ambiente.
- Recicle o deseche el material de embalaje del producto de manera responsable para el medio ambiente.

REQUISITOS DE INSTALACIÓN

Requisitos de instalación

IMPORTANTE: Respete todos los códigos y las ordenanzas vigentes.

Verifique el lugar donde se instalará el acondicionador de aire. Asegúrese de tener todo lo necesario para una instalación correcta.

El lugar debe tener:

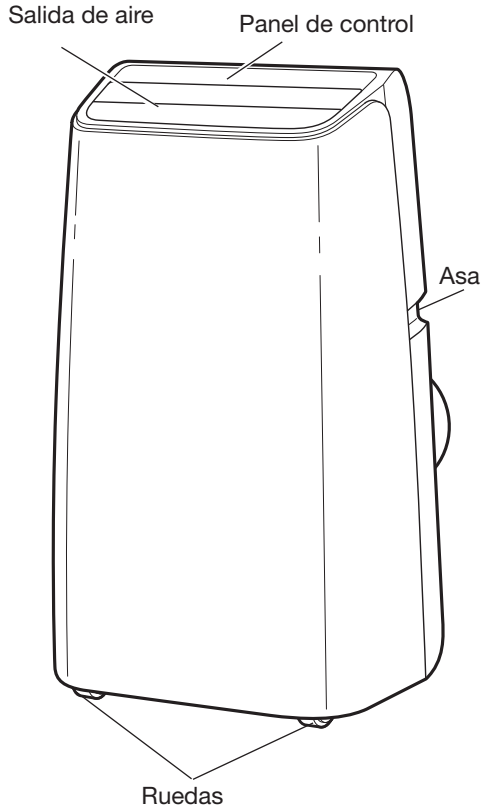
- Un tomacorriente eléctrico con conexión a tierra a una distancia máxima de 4,27 pies (130 cm) del lugar donde el cable eléctrico sale del acondicionador de aire.
- NOTA:** no use un cable eléctrico de extensión.

- Libertad de movimiento del aire en la habitación que desea enfriar.
- Una abertura con la amplitud suficiente para el acondicionador de aire. Se proveen piezas de instalación para las ventanas de guillotina.
- Deje al menos 10" (25 cm) de separación con respecto a las paredes y los muebles.

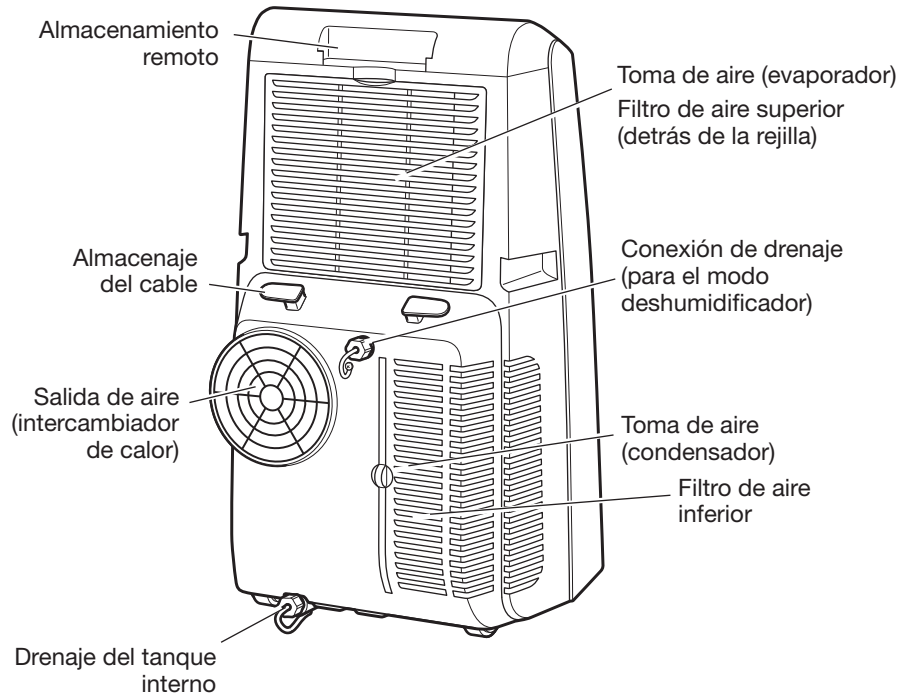
NOTA: no deben obstruirse las rejillas del gabinete. No coloque la unidad delante de paños o cortinas: pueden bloquear la toma de aire.

PIEZAS Y CARACTERÍSTICAS

Vista frontal

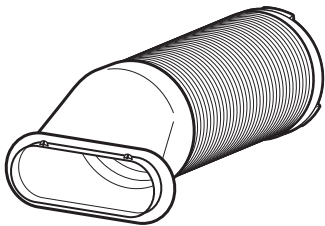
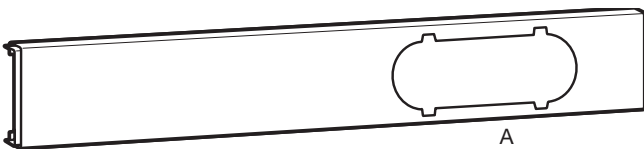


Vista posterior



Piezas para la instalación suministradas

Verifique que todas las piezas estén incluidas en el paquete de piezas.



A. Panel de inserto de ventana para una sola ventilación (1)

B. Manguera de ventilación flexible (1)

Requisitos eléctricos

⚠ ADVERTENCIA



Peligro de Choque Eléctrico

Conecte a un contacto de pared de conexión a tierra de 3 terminales.

No quite la terminal de conexión a tierra.

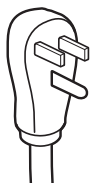
No use un adaptador.

No use un cable eléctrico de extensión.

No seguir estas instrucciones puede ocasionar la muerte, incendio o choque eléctrico.

Las clasificaciones eléctricas para su acondicionador de aire están enumeradas en la etiqueta del número de modelo y de serie. La etiqueta con el número de modelo y de serie está en la parte posterior del gabinete del acondicionador de aire.

Requisitos eléctricos



- 115 voltios (103,5 mín. a 126,5 máx.)
- 0 a 12 amperios
- Disyuntor o fusible retardador de 15 amperios
- Si la unidad tiene una etiqueta que indica "Circuito simple solamente", úsela solo con un circuito de tomacorriente único exclusivo. Si no hay disponible un circuito de tomacorriente único exclusivo, es responsabilidad del cliente hacer instalar un circuito de tomacorriente único por un electricista competente.
- Si la unidad no tiene la etiqueta "Circuito simple solamente", se puede usar en cualquier circuito secundario con la tensión correcta y la clasificación adecuada de protección de corriente.

Método de conexión a tierra recomendado

Este acondicionador de aire debe estar conectado a tierra. Este acondicionador de aire está equipado con un cable de suministro eléctrico provisto de un enchufe con tres terminales. Para reducir al mínimo el peligro de posibles choques eléctricos, el cable debe estar enchufado en un tomacorriente de 3 terminales, conectado a tierra de acuerdo con los códigos y las ordenanzas locales. Si no hay disponible un tomacorriente concordante, es responsabilidad del cliente hacer instalar un tomacorriente de 3 terminales con conexión a tierra por un instalador eléctrico competente. Es responsabilidad del cliente:

- Ponerse en contacto con un instalador eléctrico calificado.
- Asegurarse de que la instalación eléctrica sea adecuada y de conformidad con el Código Nacional Eléctrico, ANSI/NFPA 70, última edición, y con todos los códigos y las ordenanzas locales.

Pueden obtenerse copias de las normas señaladas en:

National Fire Protection Association
1 Batterymarch Park
Quincy, MA 02269

Cable de suministro de energía

NOTA: el cable de suministro eléctrico de su acondicionador de aire puede diferir del que se muestra. Este acondicionador de aire portátil está equipado con un cable de suministro eléctrico requerido por UL. El cable de suministro eléctrico tiene componentes electrónicos de avanzada que detectan corriente de fuga. Si el cable se rompe, los componentes electrónicos detectan la corriente de fuga y la energía se desconectará en una fracción de segundo.

⚠ ADVERTENCIA



Peligro de Choque Eléctrico

Conecte a un contacto de pared de conexión a tierra de 3 terminales.

No quite la terminal de conexión a tierra.

No use un adaptador.

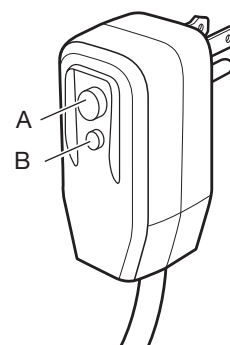
No use un cable eléctrico de extensión.

No seguir estas instrucciones puede ocasionar la muerte, incendio o choque eléctrico.

Para poner a prueba el cable de suministro eléctrico:

1. Enchufe el cable de suministro eléctrico en un tomacorriente de 3 terminales con conexión a tierra.
2. Presione RESET (Restablecer) (en algunos modelos, se encenderá una luz verde).
3. Presione TEST (Prueba).
4. Presione y suelte RESET (Restablecer).
El cable de suministro eléctrico está listo para el funcionamiento.

- A. Botón Reset (Restablecer)
- B. Botón Test (Prueba)



NOTAS:

- El botón Reset (Restablecer) debe estar presionado para el funcionamiento adecuado.
- El cable de suministro eléctrico se debe reemplazar si no se desconecta cuando se presiona el botón de prueba o si no se restablece.
- No use el cable de suministro eléctrico como interruptor para apagar/encender. El cable de suministro eléctrico ha sido diseñado como un dispositivo de protección.
- Un cable de suministro eléctrico se debe reemplazar con un nuevo cable de suministro eléctrico obtenido del fabricante del producto y no se debe reparar.
- El cable de suministro eléctrico no tiene piezas que pueda reparar el usuario. Todos los reclamos por desempeño y de garantía quedan anulados si se abre el estuche resistente a manipulaciones no autorizadas.

INSTRUCCIONES DE INSTALACIÓN

Prepare el acondicionador de aire para la instalación

⚠ ADVERTENCIA

Peligro de Peso Excesivo

Use dos o más personas para mover e instalar el acondicionador de aire.

No seguir esta instrucción puede ocasionar una lesión en la espalda u otro tipo de lesiones.

Retire los materiales de empaque:

- Manipule con cuidado el acondicionador de aire mientras lo desempaca.
- Retire la parte superior de la caja y levante el acondicionador de aire de la plataforma de la base.
- Retire la cinta y los residuos de adhesivo de las superficies antes de encender el acondicionador de aire. Frote un poco de detergente líquido para vajilla sobre el adhesivo con los dedos. Limpie con un paño húmedo y seque.
- No use instrumentos filosos, alcohol para fricciones, líquidos inflamables o productos de limpieza abrasivos para eliminar los restos de cinta o pegamento. Esos productos pueden dañar la superficie de su acondicionador de aire.
- Asegúrese de revisar todo el material de empaque en busca de piezas antes de desecharlo.
- Deseche o recicle el material de empaque de manera adecuada.

Requisitos de la abertura de la ventana

Este acondicionador de aire se puede usar con ventanas de guillotina estándar y con ventanas corredizas verticales.

Medidas de la abertura de una ventana de guillotina:

- Ancho de la abertura de 26 $\frac{5}{8}$ " (67,6 cm) como mínimo a 52" (1,35 m) como máximo
- Altura de la abertura de 4" (10,2 cm) como mínimo

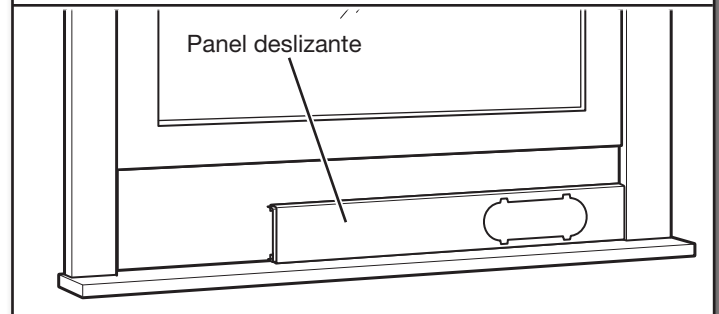
Medidas de la abertura de una ventana corrediza vertical:

- Ancho de la abertura de 4" (10,2 cm) como mínimo
- Altura de la abertura de 26 $\frac{5}{8}$ " (67,6 cm) como mínimo a 52" (1,35 m) como máximo

IMPORTANTE: Para aberturas de ventana entre 26 $\frac{5}{8}$ " (67,6 cm) y 37" (94 cm), será necesario cortar el panel deslizante para que encaje en la abertura de la ventana.

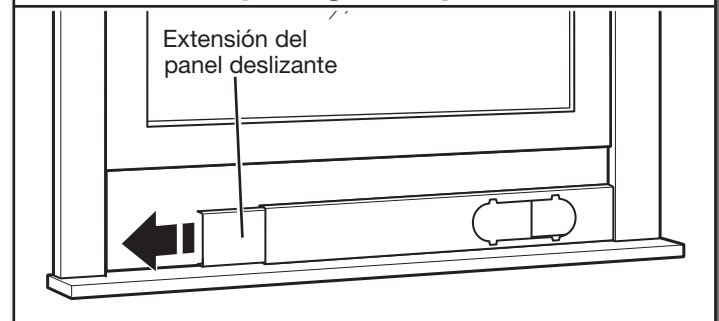
Instalación del panel deslizante para ventana

1. Ubique el panel deslizante en la ventana



Ubique el panel deslizante para ventana en la abertura de la ventana.

2. Extienda y asegure el panel deslizante



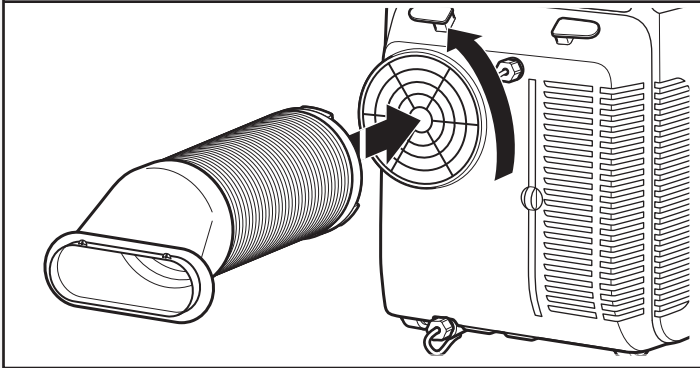
Extienda la extensión del panel deslizante hasta que cubra la abertura de la ventana. Asegúrese de que no se cubra la abertura de la ventilación en el panel deslizante.

Si la ventana es demasiado angosta para encajar en el panel deslizante sin bloquear la abertura de la ventilación:

1. Retire del panel deslizante la extensión del panel deslizante.
2. Use una sierra manual para cortar la extensión del panel deslizante de acuerdo con el tamaño de la abertura de la ventana. Deje la mayor superficie de panel que sea posible sin cubrir las aberturas de ventilación en el panel deslizante.
3. Deslice la extensión del panel deslizante nuevamente dentro del panel deslizante.

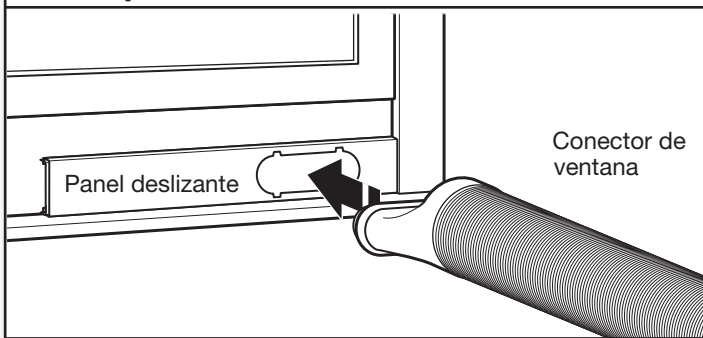
Ensamble la manguera de ventilación

1. Fije la manguera de ventilación al acondicionador de aire



Inserte el conector redondo de la manguera de ventilación en el puerto de escape de la parte posterior del acondicionador de aire. Gire en sentido antihorario para trabarlo en su lugar.

2. Fije la manguera de ventilación al panel deslizante



Coloque el acondicionador de aire en la ubicación deseada. Extienda la manguera de ventilación lo suficiente como para que llegue desde el acondicionador de aire hasta la ventana. Asegúrese de que no haya curvas cerradas ni aplastamientos en la manguera.

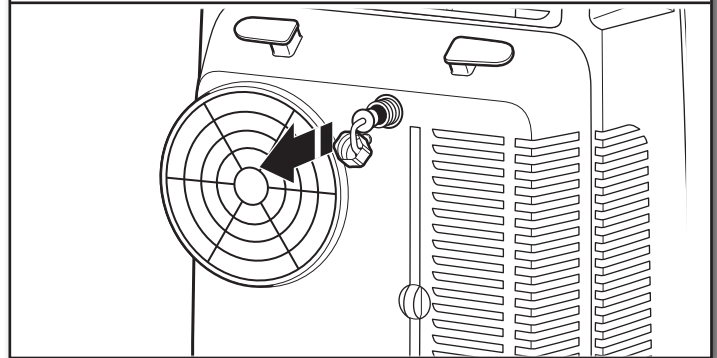
Presione el extremo del conector de ventana de la manguera de ventilación dentro de la abertura del panel deslizante como se muestra. Se enganchará al encajar en su lugar.

Conexión de mangueras de desagüe (opcional)

Cuando use el acondicionador de aire para deshumidificar únicamente, puede fijar una manguera (no se incluye) para drenar el agua a un desagüe del piso.

La manguera de desagüe debe estar en el puerto de desagüe en la parte posterior del acondicionador de aire.

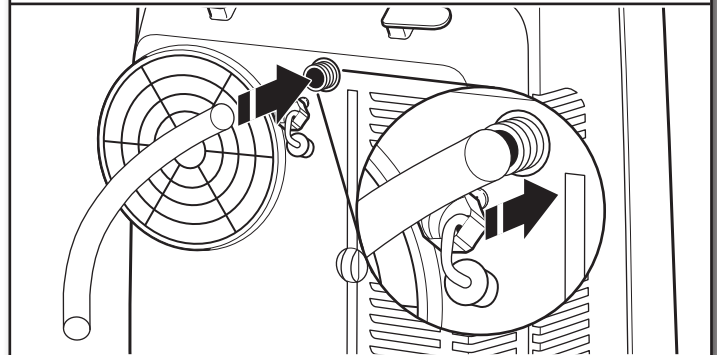
1. Retire el tapón de la conexión de desagüe



Gire el tapón del puerto de desagüe en sentido antihorario para retirarlo; después, retire el tapón de desagüe de caucho.

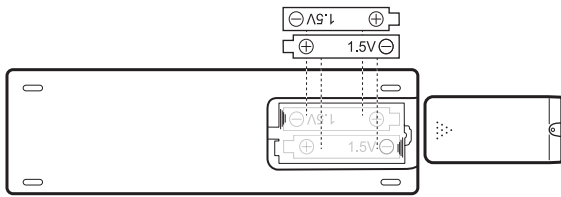
Guárdelo en un lugar seguro para usarlo en el futuro.

2. Instale la manguera de desagüe



Inserte la manguera de desagüe en la conexión de desagüe en el acondicionador de aire. Inserte el otro extremo de la manguera de desagüe en un desagüe del piso u otro desagüe adecuado.

Instalación/reemplazo de las baterías del control remoto



NOTA: el control remoto usa dos baterías AAA de 1,5 V (se incluyen). Reemplace las baterías cuando el indicador de las baterías en la esquina superior derecha de la pantalla aparezca vacío.

Para retirar las baterías:

Retire la cubierta del compartimento de las baterías y retire las baterías.

Para volver a instalar las baterías:

Coloque las baterías dentro del compartimento de las baterías como se muestra; después, vuelva a instalar la cubierta.

NOTA:

- No permita que el control remoto se caiga: puede dañarse.
- Retire las baterías si el control remoto no se usa durante un mes o más tiempo.
- Deseche las baterías usadas de manera responsable.

Conexión Eléctrica

⚠ ADVERTENCIA



Peligro de Choque Eléctrico

Conecte a un contacto de pared de conexión a tierra de 3 terminales.

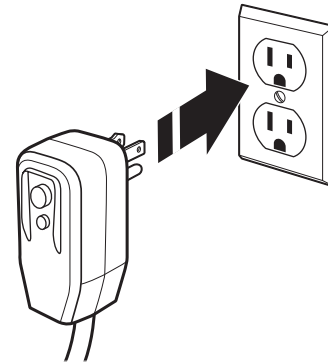
No quite la terminal de conexión a tierra.

No use un adaptador.

No use un cable eléctrico de extensión.

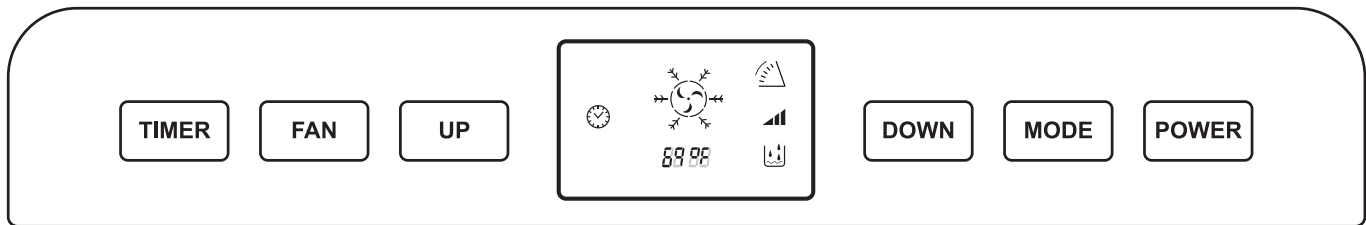
No seguir estas instrucciones puede ocasionar la muerte, incendio o choque eléctrico.

1. Enchufe en un tomacorriente de 3 terminales con conexión a tierra



Enchufe en un tomacorriente de 3 terminales con conexión a tierra. Presione el botón RESET (Restablecer) en el cable de suministro eléctrico. Vea "Requisitos eléctricos".

USO DE SU ACONDICIONADOR DE AIRE



La apariencia puede variar.

ENCENDIDO o APAGADO del acondicionador de aire

Presione POWER (Encendido) para ENCENDER o APAGAR el acondicionador de aire.

POWER

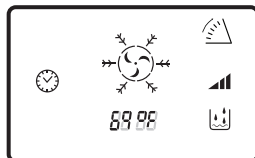
IMPORTANTE:

- Si apaga el acondicionador de aire, espere al menos 3 minutos antes de volver a encenderlo. Eso evitará que se queme un fusible del hogar o que se desconecte un disyuntor a causa del acondicionador de aire.
- El rango de temperatura operativa recomendado es entre 44 °F (7°C) y 95 °F (35°C). La operación del acondicionador de aire por encima o por debajo de este rango puede causar el congelamiento del serpentín del evaporador interno y el acondicionador de aire no funcionará correctamente.

NOTA: en caso de un corte de electricidad, el acondicionador de aire funcionará con los ajustes previos cuando se restablezca la electricidad.

Pantalla

Durante el funcionamiento normal, la pantalla mostrará la temperatura ambiente y el modo y los ajustes actuales. Al presionar los botones UP (Subir) y DOWN (Bajar), la unidad mostrará la temperatura o el tiempo de retraso fijados.



Selección del modo

El botón Mode (Modo) tiene tres ajustes:

- Enfriar
- Deshumidificar
- Ventilador

MODE

Presione el botón MODE (Modo) hasta que se ilumine la luz indicadora debajo del ajuste deseado.


Modo de enfriamiento (COOL [Enfriar])

Durante el modo de enfriamiento, el acondicionador de aire enfría el aire de la habitación y ventila el aire caliente hacia el exterior a través de las mangueras de ventilación. Regule la velocidad del ventilador y el ajuste de la temperatura de acuerdo con el nivel de comodidad que desee. El rango de ajuste de la temperatura es de 60 °F a 86 °F (de 16 °C a 30 °C).



IMPORTANTE: Las mangueras de ventilación deben descargar al exterior cuando se usa el modo de enfriamiento.

Modo de deshumidificar (secar)

 El aire se deshumidifica a medida que atraviesa la unidad, sin que se encuentre en el modo de enfriamiento completo. La velocidad del ventilador se ajusta automáticamente en LOW (Baja) y no puede regularse.

IMPORTANTE: Para resultados óptimos, la manguera de desagüe permanente debe estar conectada.

Modo de ventilador (FAN [Ventilador])

En este modo, solo funcionará el ventilador. El aire circula por la habitación sin enfriarse.

NOTA: no es necesario que el acondicionador de aire tenga ventilación al exterior en el modo Fan (Ventilador).

Cómo seleccionar la velocidad del ventilador

La velocidad del ventilador tiene 3 ajustes:

- Low (Baja)
- Medium (Media)
- High (Alta)

Presione el botón FAN (Ventilador) hasta que se seleccione el ajuste deseado.

Cómo regular la temperatura

Presione los botones UP (Subir) o DOWN (Bajar) para regular la temperatura de ajuste hacia arriba o hacia abajo en incrementos de 1°. El rango de ajuste de la temperatura es de 60 °F a 86 °F (de 16 °C a 30 °C). Controles de ajuste de TimerTemp. Después de 10 segundos, la pantalla volverá a la temperatura ambiente actual. **NOTA:** la temperatura solo se puede regular en el modo de enfriamiento.

UP

DOWN

En el modo TIMER (Temporizador), si se presionan los botones UP (Subir) y DOWN (Bajar), se regulará el tiempo de retraso para que el acondicionador de aire se encienda o se apague.

Uso del temporizador

Apagado automático

Se puede ajustar el acondicionador de aire para que se apague automáticamente después de un número de horas establecido, hasta 24 horas.

TIMER

Para ajustar el apagado automático:

1. Con el acondicionador de aire en el modo de ventilador, presione TIMER (Temporizador).
2. Use los botones UP (Subir) y DOWN (Bajar) para seleccionar el número de horas, hasta 24 horas. El indicador TIMER (Temporizador) permanecerá visible para indicar que el temporizador está ajustado.
3. Después del tiempo que se haya ajustado, el acondicionador de aire se apagará automáticamente.

Encendido automático

Se puede ajustar el acondicionador de aire con el temporizador para que se encienda automáticamente después de un número de horas establecido.

1. Con el acondicionador de aire APAGADO, presione TIMER (Temporizador).
2. Use los botones UP (Subir) y DOWN (Bajar) para seleccionar el número de horas que deben transcurrir antes de que el acondicionador de aire se encienda, hasta 24 horas. El indicador TIMER (Temporizador) permanecerá visible para indicar que el temporizador está ajustado.
3. Después del tiempo establecido, el acondicionador de aire se encenderá automáticamente en el modo de enfriamiento con los últimos ajustes usados para la temperatura y el ventilador.

Otras funciones

Advertencia “FL” de balde lleno

Este acondicionador de aire tiene un tanque interno para almacenar el agua acumulada del condensador. Normalmente, esta agua se evapora y se descarga al exterior. Sin embargo, en períodos de humedad alta, es posible que el tanque interno se llene. Si esto sucede, aparecerá “FL” en la pantalla, sonará un tono y el acondicionador de aire se apagará hasta que se vacíe el tanque interno. Consulte la sección “Cuidado y limpieza”.

Sonidos operativos normales

Cuando el acondicionador de aire está funcionando normalmente, es posible que oiga sonidos como:

- Gotas de agua que golpean el condensador y producen una detonación o un chasquido. Las gotas de agua ayudan a enfriar el condensador.
- Movimiento de aire del ventilador.
- Chasquidos del ciclo del termostato.
- Vibraciones o ruido causados por la construcción deficiente de la pared o de la ventana.
- Un zumbido agudo o un ruido pulsante producido por el ciclo de encendido y apagado del moderno compresor de alta eficiencia.

Cómo usar el control remoto

El control remoto permite encender y apagar el acondicionador de aire, así como seleccionar el modo y la velocidad del ventilador y ajustar la temperatura y el tiempo con el mismo método que en el panel de control. La pantalla LCD del control remoto mostrará el modo y los ajustes actuales.

Hay otras funciones disponibles solo con el control remoto.

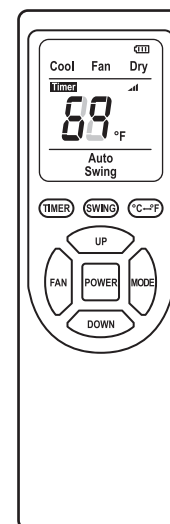
Cómo cambiar entre Fahrenheit y Celsius:

Presione el botón °C-°F en el control remoto para alternar las unidades que se visualizan entre °F y °C.

Modos de oscilación automática:

Al presionar el botón Swing (Oscilar), se alternará el encendido y el apagado del modo de oscilación automática. En el modo de oscilación automática, las persianas de salida de aire se moverán automáticamente para mejorar la circulación. En la pantalla del control remoto aparecerá Auto Swing (Oscilación automática) y en la pantalla del acondicionador de aire aparecerá el icono de Auto Swing (Oscilación automática).

NOTA: la apariencia del control remoto puede variar.



CUIDADO Y LIMPIEZA

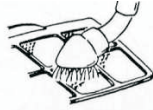
Su nuevo acondicionador de aire está diseñado para brindarle muchos años de servicio confiable. Esta sección le ofrece información acerca de la limpieza y el cuidado adecuados de su acondicionador de aire.

Limpieza de los filtros de aire

Los filtros de aire se pueden desmontar para facilitar su limpieza. Un filtro limpio ayuda a quitar el polvo, las pelusas y otras partículas del aire y es importante para una óptima eficiencia del enfriamiento y la operación. Revise los filtros cada 2 semanas para ver si debe limpiarlos.

NOTA: para un rendimiento óptimo, no haga funcionar el acondicionador de aire si los filtros no están colocados en su lugar.

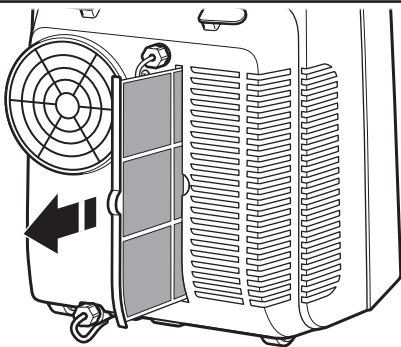
Limpie los filtros de aire con una aspiradora. Si están muy sucios, lávelos con agua tibia y un detergente suave.



NOTA: no lave los filtros de aire en la lavavajillas ni use limpiadores químicos; eso puede dañar los filtros. Seque los filtros al aire antes de instalarlos nuevamente, para asegurar la máxima eficiencia.

Cómo retirar el filtro de aire inferior

1. Cómo retirar el filtro de aire inferior



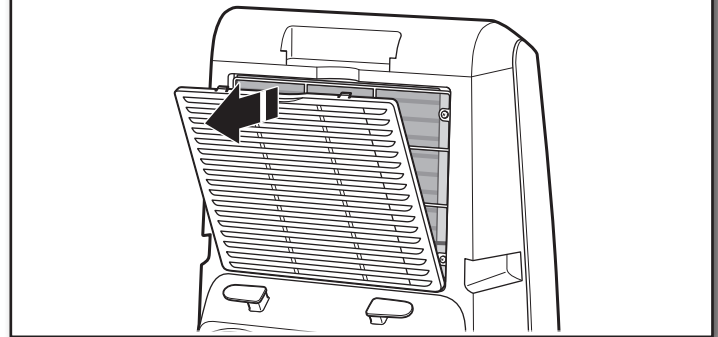
1. Apague el acondicionador de aire.
2. Tire directamente del filtro de aire inferior para retirarlo de la parte posterior del acondicionador de aire.

Cómo volver a instalar el filtro de aire:

1. Vuelva a instalar el filtro de aire en el acondicionador de aire mediante la inversión del paso 2 mencionado anteriormente.

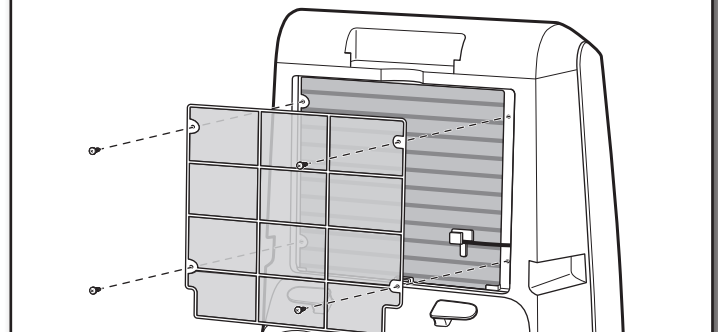
Cómo retirar el filtro de aire superior

1. Cómo retirar la cubierta de la toma de aire



1. Apague el acondicionador de aire.
2. Para retirar la cubierta de la toma de aire, tire de la parte superior de la cubierta para quitarla del acondicionador de aire; después, levante las lengüetas de la parte inferior para retirarlas de las ranuras del acondicionador de aire.

2. Cómo retirar el filtro de aire



1. Retire los 4 tornillos que sostienen el filtro en su lugar con un destornillador Phillips.
2. Tire directamente del filtro de aire para retirarlo del acondicionador de aire.

Cómo volver a instalar el filtro de aire:

1. Vuelva a instalar el filtro de aire en el acondicionador de aire.
2. Inserte las lengüetas en la parte inferior de la cubierta de la toma de aire dentro de las ranuras en el acondicionador de aire; después, presione la parte superior en su lugar hasta que se trabe con un chasquido.

Limpeza del gabinete del acondicionador de aire

1. Apague el acondicionador de aire.
2. Limpie el gabinete del acondicionador de aire con un paño suave húmedo.
3. Seque con un paño suave.

Cómo guardar el acondicionador de aire

⚠ ADVERTENCIA

Peligro de Peso Excesivo

Use dos o más personas para mover e instalar el acondicionador de aire.

No seguir esta instrucción puede ocasionar una lesión en la espalda u otro tipo de lesiones.

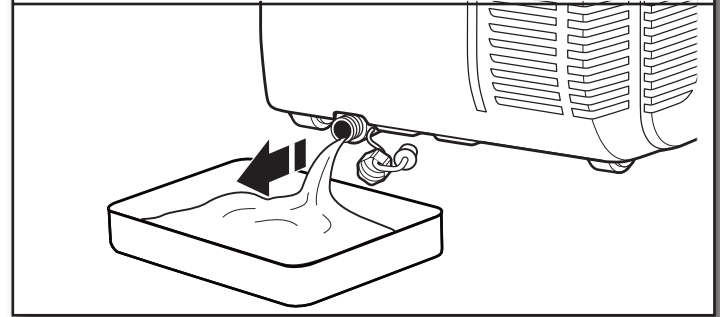
Si el acondicionador de aire no se usará durante un período prolongado, prepárelo para guardarlo con los pasos siguientes.

1. Haga funcionar el acondicionador de aire en modo Fan (Ventilador) algunas horas para que se seque toda la humedad de los serpentines.
2. Apague el acondicionador de aire y desenchúfelo. Retire las baterías del control remoto.
3. Retire el tapón de desagüe del tanque interno para extraer y desaguar del tanque toda el agua restante. Vea "Cómo desaguar el tanque interno".
4. Retire, limpie y vuelva a instalar el filtro de aire.
5. Retire las mangueras de aire y el panel deslizante de ventana y guárdelos en un lugar seguro.

Cómo desaguar el tanque interno

Si el acondicionador de aire se apaga y aparece FL en la pantalla, es necesario vaciar el tanque interno antes de volver a usar el acondicionador de aire.

1. Cómo desaguar el tanque interno



1. Apague el acondicionador de aire y desenchúfelo.
2. Coloque una bandeja o un balde pequeño debajo del desagüe.
3. Gire en sentido antihorario el retén del tapón de desagüe para retirarlo.
4. Retire el tapón de desagüe de caucho.
5. Deje que el agua desague en la bandeja o en el balde.
6. Para volver a instalar el tapón de desagüe de caucho, presiónelo con firmeza en su lugar.
7. Inserte el retén del tapón de drenaje en sentido horario sobre el drenaje y, después, apriete con la mano.

SOLUCIÓN DE PROBLEMAS

Antes de solicitar servicio, pruebe las sugerencias que se incluyen a continuación para ver si puede resolver el problema sin ayuda externa.

El acondicionador de aire no funciona

⚠ ADVERTENCIA



Peligro de Choque Eléctrico

Conecte a un contacto de pared de conexión a tierra de 3 terminales.

No quite la terminal de conexión a tierra.

No use un adaptador.

No use un cable eléctrico de extensión.

No seguir estas instrucciones puede ocasionar la muerte, incendio o choque eléctrico.

- El cable de suministro eléctrico está desenchufado. Enchufe en un tomacorriente de 3 terminales con conexión a tierra. Vea “Requisitos eléctricos”.
- El cable de suministro eléctrico se ha desconectado (el botón Reset (Restablecer) ha saltado). Presione y suelte RESET (Restablecer) para reanudar la operación.
- Se ha fundido un fusible de la casa o se ha desconectado un disyuntor. Reemplace el fusible o reposicione el cortacircuitos. Si el problema continúa, llame a un electricista. Vea “Requisitos eléctricos”.
- No se ha presionado el botón Power (Encendido). Presione POWER (Encendido).
- Se ha interrumpido la energía eléctrica local. Espere que se restablezca la energía eléctrica.
- El tanque de agua interno está lleno. Si el acondicionador de aire se apaga y aparece FL en la pantalla, vacíe el tanque interno. Vea “Cómo desaguar el tanque interno”.

El acondicionador de aire quema fusibles o desconecta disyuntores

- Se están usando demasiados aparatos en el mismo circuito. Desenchufe o reubique los aparatos que estén usando el mismo circuito.
- Se está usando un disyuntor o un fusible de retardo con la capacidad incorrecta. Reemplácelo con disyuntor o un fusible de retardo con la capacidad correcta. Vea “Requisitos eléctricos”.
- Se intenta poner en marcha el acondicionador de aire demasiado pronto después de apagarlo. Espere al menos 3 minutos después de apagar el acondicionador de aire antes de intentar ponerlo en marcha nuevamente.

El cable de suministro eléctrico del acondicionador de aire se desconecta (el botón Reset (Restablecer) salta)

- Las alteraciones en la corriente eléctrica de la casa pueden hacer que el cable de suministro eléctrico se desconecte (el botón Reset (Restablecer) salta). Presione y suelte RESET (Restablecer) para reanudar la operación.
- La sobrecarga eléctrica, el recalentamiento, un cable pellizcado o el envejecimiento pueden hacer desconectar el cable de suministro eléctrico (el botón Reset (Restablecer) saltará). Después de corregir el problema, presione y suelte RESET (Restablecer) para reanudar la operación.

NOTA: un cable de suministro eléctrico se debe reemplazar con un nuevo cable de suministro eléctrico obtenido del fabricante del producto y no se debe reparar.

Parece que el acondicionador de aire funciona excesivamente

- Su actual acondicionador de aire reemplazó un modelo viejo. El uso de componentes más eficientes puede hacer que el acondicionador de aire funcione por más tiempo que su antiguo modelo, pero el consumo total de energía será menor. Los acondicionadores de aire más nuevos no emiten la “ráfaga” de aire frío a la que quizás usted esté acostumbrado con acondicionadores de aire más antiguos, pero eso no indica una capacidad de enfriamiento o una eficiencia menores. Consulte la clasificación de eficiencia (EER) y la clasificación de capacidad (en BTU/h) marcadas en el acondicionador de aire.
- El acondicionador de aire está en una habitación con muchas personas o se usan aparatos que generan calor en la habitación. Use ventiladores extractores cuando esté cocinando o bañándose y trate de no usar aparatos que generan calor durante las horas más calurosas del día. Es posible que se requiera un acondicionador de aire de mayor capacidad, según el tamaño de la habitación que se desea enfriar.

La unidad se enciende y se apaga demasiado o no enfría la habitación en el modo de enfriamiento

- El acondicionador de aire no tiene el tamaño adecuado para su habitación. Verifique la capacidad de enfriamiento de su acondicionador de aire para habitaciones. Los acondicionadores de aire para habitaciones no están diseñados para enfriar varias habitaciones.
- El filtro está sucio u obstruido con residuos. Limpie el filtro.
- Hay demasiado calor o humedad en la habitación (cocción con recipientes sin tapa, duchas, etc.). Use un ventilador para extraer el calor o la humedad de la habitación. Trate de no usar aparatos que generan calor en las horas más calurosas del día.

- Las tomas de aire están bloqueadas. Instale el acondicionador de aire en un lugar donde las persianas no estén bloqueadas por cortinas, persianas, muebles, etc.
- La temperatura de la habitación que está tratando de enfriar está demasiado caliente. Espere más tiempo para que el acondicionador de aire enfríe una habitación muy caliente.
- Ventanas o puertas que dan al exterior están abiertas. Cierre todas las puertas y ventanas.
- El ajuste de temperatura no está regulado en un punto suficientemente frío. Para regular la temperatura a un ajuste más frío, presione el botón con el signo menos para reducir la temperatura. Fije el control Fan Speed (Velocidad del ventilador) en el ajuste más alto.

Códigos de error en la pantalla

- Si aparece E1 o E2 en la pantalla, llame para pedir servicio técnico.
- Si aparece FL en la pantalla, vacíe el balde de agua.

El control remoto no funciona

- Revise la imagen del nivel de las baterías en el control remoto. Reemplace las baterías si es necesario.
- Asegúrese de que el control remoto esté orientado hacia el acondicionador de aire y de que nada bloquee la ventana sensora del control remoto en el panel de control.

ESPECIFICACIONES

Modelo	AMAP101AW / AB / AD-2	AMAP121AW / AB / AD-2
Tensión/Frecuencia	115 VAC/60Hz	115 VAC/60Hz
Corriente/Amperaje	8.5 A	10 A
Capacidad de enfriamiento (BTU/hora)	10,000	12,000
SACC (BTU/hora)	6,500	7,500
Tipo de refrigerante	R410A	R410A
Temporizador	24-horas	24-horas
Dimensiones An x P x Al	14,2" x 16,9" x 28,7" 36.4 x 42.9 x 72.9 cm	14,2" x 16,9" x 28,7" 36.4 x 42.9 x 72.9 cm
Peso	54,0 lbs. 24,5 kg	60,6 lbs. 27,5 kg

ASISTENCIA O SERVICIO TÉCNICO

Antes de solicitar ayuda o servicio técnico, consulte la sección “Solución de problemas”. Esto le podría ahorrar el costo de una visita de servicio técnico. Si considera que aún necesita ayuda, siga las instrucciones que aparecen a continuación.

Cuando llame, tenga a mano la fecha de compra y el número completo del modelo y de la serie de su electrodoméstico. Esta información nos ayudará a atender mejor a su pedido.

En EE. UU.

Llame al servicio al cliente de XLS Products sin costo alguno al: 1-800-207-1156.

Nuestros consultores ofrecen ayuda para:

- Características y especificaciones de nuestra línea completa de electrodomésticos.
- Información sobre la instalación.
- Procedimientos de uso y mantenimiento.
- Accesorios y piezas para reparación.
- Asistencia al cliente especializada.
- Recomendaciones con distribuidores locales, compañías que dan servicio y distribuidores de partes para reparación. Los técnicos de servicio designados por XLS Products están capacitados para cumplir con la garantía del producto y ofrecer servicio después de la garantía en cualquier lugar de los Estados Unidos.

Para obtener más asistencia:

Si necesita asistencia adicional, puede escribir a XLS Products con sus preguntas o dudas a:

XLS Products, Inc.
Customer Service
P.O. Box 16262
Philadelphia, PA 19114-0262

Incluya en su correspondencia un número de teléfono en el que se le pueda localizar durante el día.

En Canadá

Llame al servicio al cliente de XLS Products sin costo alguno al: 1-800-207-1156.

Nuestros consultores ofrecen ayuda para:

- Características y especificaciones de nuestra línea completa de electrodomésticos.
- Procedimientos de uso y mantenimiento.
- Accesorios y piezas para reparación.
- Recomendaciones con distribuidores locales, compañías que dan servicio y distribuidores de partes para reparación. Los técnicos designados por XLS Products están capacitados

para cumplir con la garantía del producto y ofrecer servicio después de la garantía en cualquier lugar de Canadá.

Para obtener más asistencia:

Si necesita asistencia adicional, puede escribir a XLS Products con sus preguntas o dudas a:

XLS Products, Inc.
Customer Service
P.O. Box 16262
Philadelphia, PA 19114-0262

Incluya en su correspondencia un número de teléfono en el que se le pueda localizar durante el día.

GARANTÍA DE XLS PRODUCTS PARA ACONDICIONADORES DE AIRE AMANA®

GARANTÍA LIMITADA DE UN AÑO

Durante un año a partir de la fecha de compra, cuando este producto se opere y se mantenga de acuerdo con las instrucciones que se adjuntan o se suministran con el producto, XLS Products pagará las piezas de reemplazo y la mano de obra de reparación para corregir defectos en los materiales o en la mano de obra, o reemplazará el producto a nuestro criterio. El servicio deberá ser suministrado por una compañía de servicio designada por XLS Products. Esta garantía no cubre el filtro de aire.

LO QUE XLS PRODUCTS NO PAGARÁ

1. Visitas de servicio técnico para corregir la instalación de su producto, enseñarle a usar su producto, cambiar fusibles de la casa o restablecer cortocircuitos, reemplazar o limpiar filtros, o corregir la instalación eléctrica.
2. Visitas de servicio técnico para reparar o reemplazar filtros de aire. Esos insumos están excluidos de la cobertura de la garantía.
3. Reparaciones cuando su producto se use para fines ajenos al uso doméstico normal de una sola familia.
4. Daños causados por accidente, alteración, uso indebido, abuso, incendio, inundación, actos fortuitos, instalación incorrecta, instalación que no esté de acuerdo con los códigos eléctricos o de plomería locales o el empleo de productos no aprobados por XLS Products.
5. Piezas de repuesto o costos de mano de obra de reparación para unidades que se empleen fuera de los Estados Unidos o Canadá.
6. Recogida y entrega. Este producto está diseñado para ser reparado en el hogar.
7. Reparaciones de piezas o sistemas como resultado de modificaciones no autorizadas que se hayan efectuado en el electrodoméstico.
8. Gastos de viaje y transporte para realizar el servicio del producto en lugares remotos.
9. La remoción y reinstalación de su electrodoméstico si estuviera instalado en un lugar inaccesible o si no estuviera instalado de conformidad con las instrucciones de instalación publicadas.

EXCLUSIÓN DE GARANTÍAS IMPLÍCITAS; LIMITACIÓN DE RECURSOS

EL ÚNICO Y EXCLUSIVO RECURSO DEL CLIENTE SEGÚN LOS TÉRMINOS DE ESTA GARANTÍA LIMITADA SERÁ EL DE REPARAR EL PRODUCTO SEGÚN SE ESTIPULA EN LA PRESENTE. LAS GARANTÍAS IMPLÍCITAS, INCLUSO LAS GARANTÍAS DE COMERCIABILIDAD O DE IDONEIDAD PARA UN PROPÓSITO PARTICULAR, SE LIMITARÁN A UN AÑO O AL PERÍODO MÁS CORTO PERMITIDO POR LEY. XLS PRODUCTS NO SE RESPONSABILIZARÁ POR DAÑOS INCIDENTALES O CONSECUENTES. ALGUNOS ESTADOS Y PROVINCIAS NO PERMITEN LA EXCLUSIÓN O LIMITACIÓN DE DAÑOS INCIDENTALES O CONSECUENTES, O LIMITACIONES DE LA DURACIÓN DE GARANTÍAS IMPLÍCITAS DE COMERCIABILIDAD O IDONEIDAD, DE MODO QUE LAS LIMITACIONES O EXCLUSIONES ANTES MENCIONADAS PUEDEN NO APLICARSE EN SU CASO. ESTA GARANTÍA LE OTORGA DERECHOS LEGALES ESPECÍFICOS Y ES POSIBLE QUE TENGA TAMBIÉN OTROS DERECHOS QUE PUEDEN VARIAR DE UN ESTADO A OTRO O DE UNA PROVINCIA A OTRA.

Esta garantía no tiene vigor fuera de los cincuenta estados de los Estados Unidos y Canadá. Contacte a su distribuidor autorizado de XLS Products para determinar si corresponde otra garantía.

Si necesita servicio técnico, consulte primero la sección "Solución de problemas" del Manual de uso y cuidado. Después de consultar "Solución de problemas", puede buscar ayuda adicional consultando la sección "Ayuda o servicio técnico" o llamando a XLS Products. En los EE. UU., llame al 1-800-207-1156.

En Canadá, llame al 1-800-207-1156.

Guarde este libro y su comprobante de compra juntos para referencia futura. Deberá proporcionar el comprobante de la compra o la fecha de instalación para obtener servicio técnico bajo la garantía.

Anote la siguiente información siguiente sobre su acondicionador de aire para facilitar la obtención de asistencia o servicio si llegara a necesitarlo. Deberá tener a mano el número completo del modelo y la serie. Puede encontrar esta información en la etiqueta con el número de modelo y de serie ubicada en el producto.

Nombre del distribuidor _____

Dirección _____

Número de teléfono _____

Número de modelo _____

Número de serie _____

Fecha de compra _____

AMANA®