

### THE COMPLETE SOLUTION® TOILET K-15409



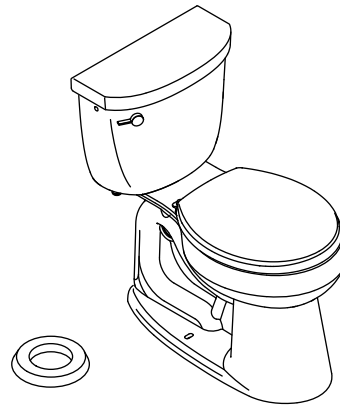
#### Features

- Vitreous china
- Round bowl
- Comfort Height®
- AquaPiston® flushing system
- Less supply
- 12" (305 mm) rough-in
- 2-1/8" (54 mm) glazed trapway
- 1.28 gpf (4.8 lpf)
- Includes Brevia™ seat with cover, left-hand polished chrome trip lever, wax ring, and floor hardware
- 11" (279 mm) x 8-3/4" (222 mm) water area
- 27-1/4" (692 mm) x 17-5/8" (448 mm) x 30-1/2" (775 mm)

#### Codes/Standards Applicable

Specified model meets or exceeds the following:

- ASME A112.19.2/CSA B45.1
- EPA WaterSense®



#### Colors/Finishes

- 0: White

#### Accessories

- CP: Polished Chrome
- PB: Vibrant® Polished Brass
- Other: Refer to Price Book for additional colors/finishes

#### Specified Model

Model	Description	Trip Lever	Colors/Finishes
K-15409	The Complete Solution toilet	left-hand	<input type="checkbox"/> 0
<b>Recommended Accessories</b>			
K-7637	Angle supply with stop – 3/8" NPT	<input type="checkbox"/> CP	<input type="checkbox"/> PB <input type="checkbox"/> Other_____
<b>Optional Accessories</b>			
K-9466-L	Left-hand trip lever (non-CP finish)		<input type="checkbox"/> PB <input type="checkbox"/> Other_____
K-9470-L	Left-hand trip lever	<input type="checkbox"/> CP	<input type="checkbox"/> PB <input type="checkbox"/> Other_____

#### Product Specification

The round bowl toilet shall be made of vitreous china. Toilet shall be 27-1/4" (692 mm) in length, 17-5/8" (448 mm) in width, and 30-1/2" (775 mm) in height with an 11" (279 mm) by 8-3/4" (222 mm) water area. Toilet shall be Comfort Height. Toilet shall be 1.28 gpf (4.8 lpf) with AquaPiston flushing system. Toilet shall have 12" (305 mm) rough-in with 2-1/8" (54 mm) glazed trapway. Toilet shall include Brevia seat with cover, wax ring, left-hand polished chrome trip lever, and floor hardware. Toilet shall be less supply. Round bowl toilet shall be Kohler Model K-15409-0.

# CIMARRON®

## Technical Information

Fixture:	
Configuration	two-piece, round
Water per flush	1.28 gpf (4.8 lpf)
Passageway	2-1/8" (54 mm)
Water area	11" (279 mm) x 8-3/4" (222 mm)
Water depth from rim	5-1/4" (133 mm)
Seat post hole centers	5-1/2" (140 mm)

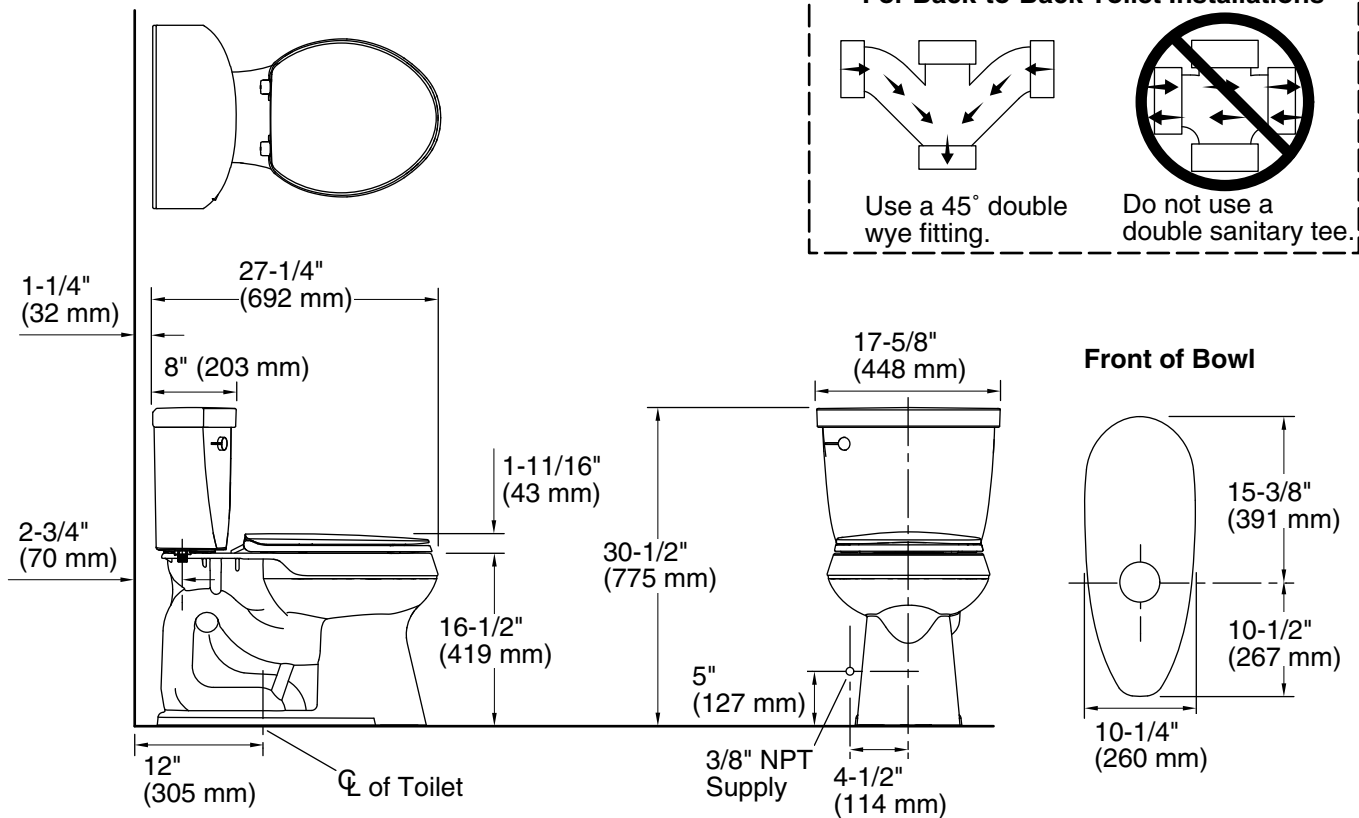
Included components:	
Bowl	K-4347
Tank	K-4166
Tank cover	1086929
Trip lever, left-hand	1059436-CP
Toilet seat	1155980
Tank accessory pack	1016548
Bolt cap accessory pack	1013092
Wax ring and hardware installation kit	1023457

## Installation Notes

Install this product according to the installation guide.

**NOTE:** Product does not include a supply line, as the length needed varies per installation.

**For back-to-back toilet installations:** Use only a 45° double wye fitting.



## Product Diagram