

## STORAGE CASES K-3107 ALSO K-3108

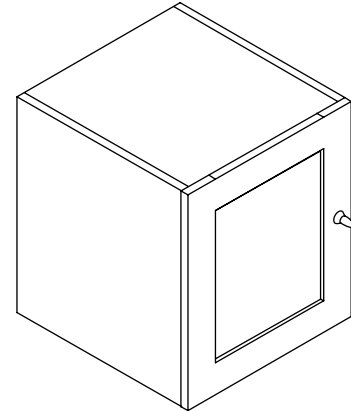
### Features

- Select hard maple, both solids and veneers
- 4 unique door inserts
- Modular system allows creativity and flexibility with design layout
- Fashionable yet functional bathroom storage
- 14" (35.6 cm) x 12 1/2" (31.8 cm) x 31" (78.7 cm) (K-3107)
- 14" (35.6 cm) x 12 1/2" (31.8 cm) x 14" (35.6 cm) (K-3108)

### Codes/Standards Applicable

Specified model meets or exceeds the following:

- None applicable



### Colors/Finishes

- F2: Black Forest
- DG: Textured Glass
- GL: Clear Glass
- ST: Vented Steel
- WD: Wood

### Accessories

- T6: Ironstone White
- T7: Solar Black
- T8: Shell Beach Blended Stone
- ST: Stainless Steel

### Specified Model

Model	Description	Door Insert Colors/Finishes				Module Finish
		DG	GL	ST	WD	
K-3107	Storage case 31" (78.7 cm) high	<input type="checkbox"/>	<input type="checkbox"/>	<input type="checkbox"/>	<input type="checkbox"/>	<input type="checkbox"/> F2
K-3108	Storage case 14" (35.6 cm) high	<input type="checkbox"/>	<input type="checkbox"/>	<input type="checkbox"/>	<input type="checkbox"/>	<input type="checkbox"/> F2

Optional Accessories						
K-3045	Case top 14" (35.6 cm) x 13" (33 cm)	<input type="checkbox"/>	<input type="checkbox"/>	<input type="checkbox"/>	<input type="checkbox"/>	<input type="checkbox"/>
K-3109	4-legged base					<input type="checkbox"/> F2

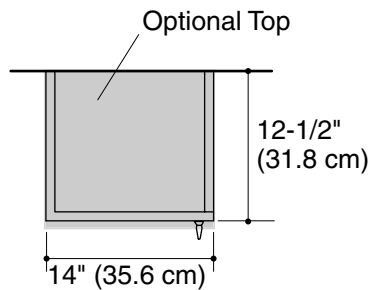
### Product Specification

The storage cases shall be 14" (35.6 cm) in length and 12 1/2" (31.8 cm) in width; K-3107 shall be 31" (78.7 cm) in height and K-3108 shall be 14" (35.6 cm) in height. The storage cases shall be made of select hard maple, both solids and veneers. The storage cases shall have 4 unique door inserts allowing creativity and flexibility with design layout. The storage cases shall be Kohler Model K-\_\_\_\_-\_\_\_\_-\_\_\_\_.

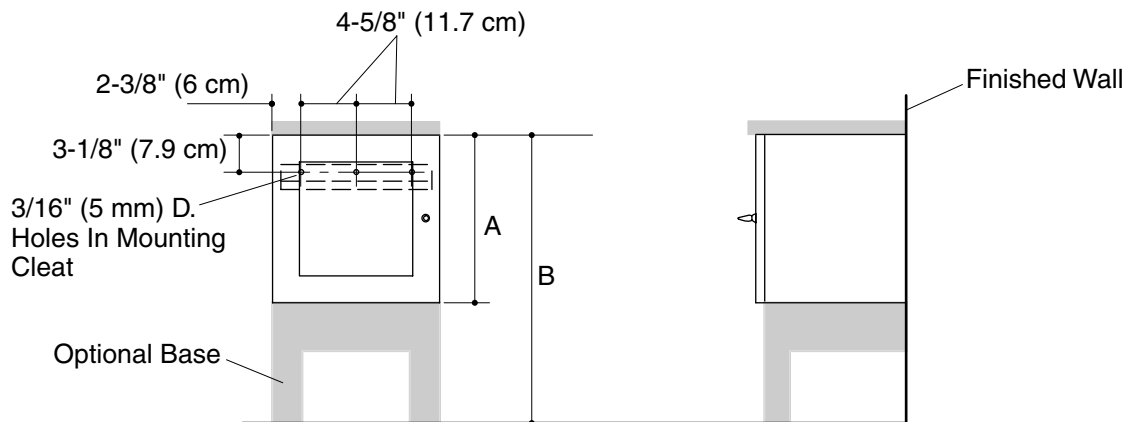
# TELLIEUR®

## Installation Notes

Install this product according to the installation guide.



	A	B
K-3108	14" (35.6 cm)	24" (61 cm)
K-3107	31" (78.7 cm)	41" (104.1 cm)



## Product Diagram