

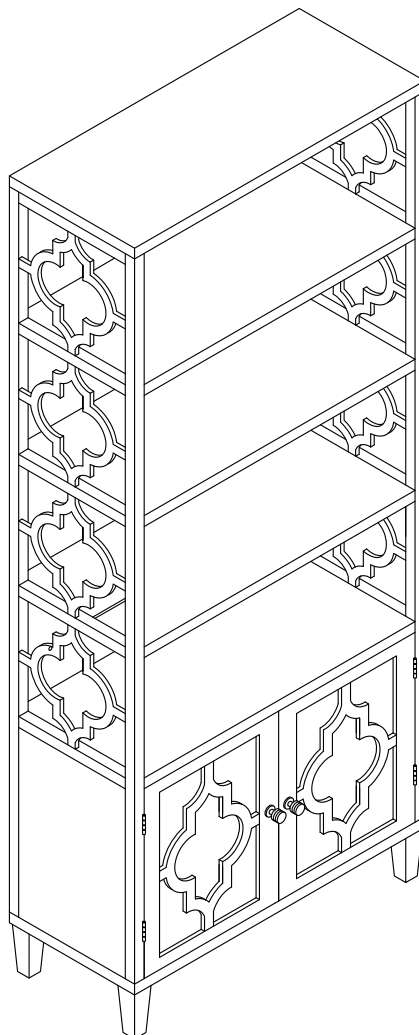
# HOME DECORATORS COLLECTION

HDC# 08762 MFG# TW-18539WE / TW-18539EO  
REFLECTIONS BOOKSHELF 72"H x 30"W x 14"D

## ASSEMBLY INSTRUCTIONS

Note: Before assembly, please be sure to work on a soft, flat surface to avoid any damage to the finish.

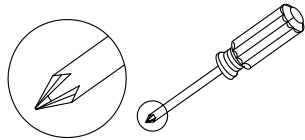
Made In China



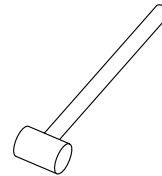
# *BEFORE ASSEMBLY*

**IMPORTANT NOTE:** READ CAREFULLY BEFORE ASSEMBLY TO PREVENT DAMAGE TO PARTS. Following instruction listed below in the proper sequence as numbered to assure fast, easy and correct assembly.

## **ASSEMBLY TOOLS REQUIRED**



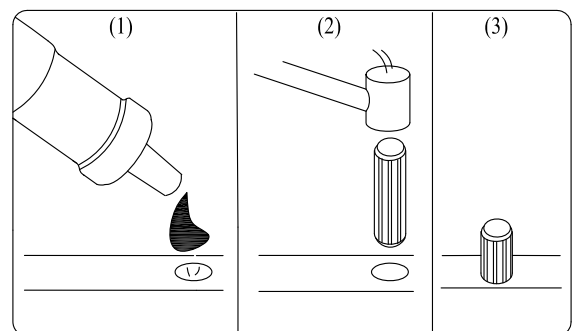
"+"Screw driver



Rubber Mallet

### *WOODEN DOWEL INSTALLATION PROCEDURE*

- (1) FILL HOLE 1/4 FULL OF GLUE.
- (2) GENTLY TAP DOWEL INTO HOLE WITH RUBBER Mallet OR USE HAND PRESS IN.  
DO NOT USE HAMMER
- (3) WIPE AWAY EXCESS GLUE.



### *HIDDEN CONNECTOR ASSEMBLY TECHNIQUES FOR LOCK NUT & LOCK PIN*

1 SET INCLUDES: (C) CAM-LOCK 1PC. (A) CAM BOLT 1PC.

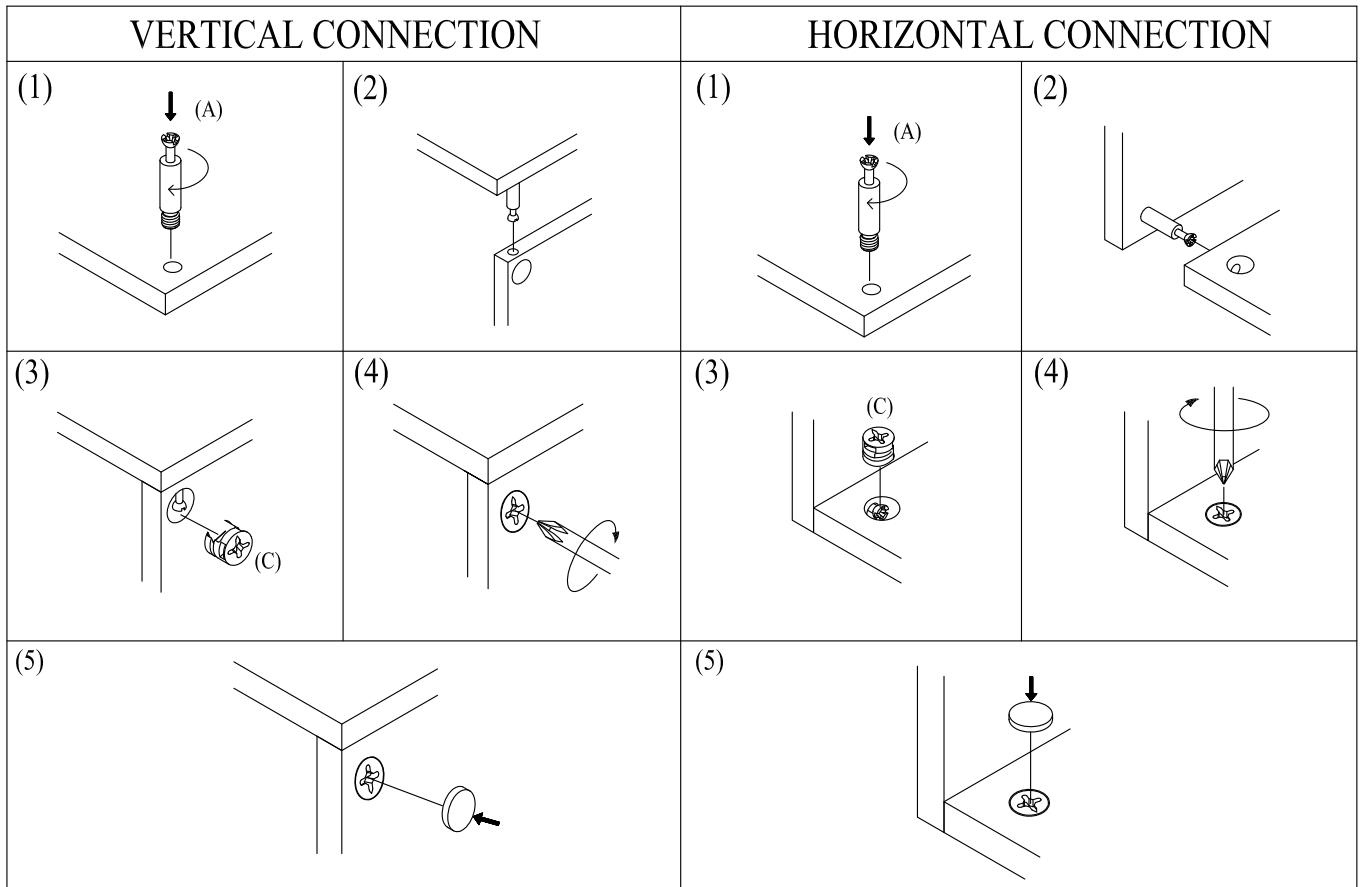
TOOL NEEDED: "+" SCREW DRIVER

STEP 1: SCREW CAM BOLT (A) ONTO PRE-SET PLASTIC NUT ON PANEL. USE A "+" SCREW-DRIVER FOR TIGHTENING. ATTENTION: DO NOT OVER TIGHTEN THE CAM BOLT (A).

STEP 2: ATTACH BOTH PANELS, MAKE SURE YOU HAVE INSERTED THE CAM BOLT TO THE VERY DEPTH OF THE HOLE WITH RUBBER Mallet GENTLY, CAUTION: DO NOT USE HAMMER. THEN INSERT CAM-LOCK (C) INTO PRE-DRILLED HOLE ON PANEL, MAKE SURE THE ARROW ON CAM-LOCK (C) SET IN PANEL POINT TOWARD THE HOLE INTO WHICH THE CAM BOLT (A) HAS BEEN INSERTED AND INSERTED THE CAM-LOCK (C) TO THE VERY DEPTH OF THE HOLE.

STEP 3: ROTATE THE CAM-LOCK (C) CLOCKWISE TO SECURE CAM BOLT (A) BY TIGHTENING WITH A "+" SCREWDRIVER.



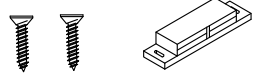

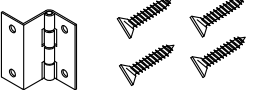

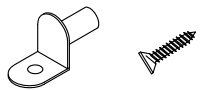
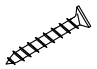
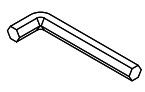
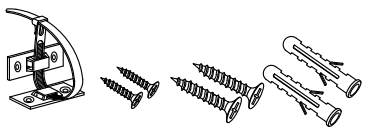
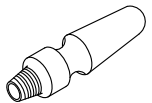
DETAIL STEP PLEASE SEE THE BELOW PICTURE.



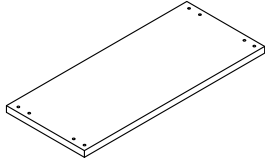



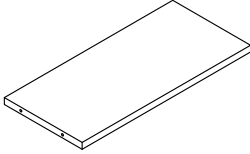
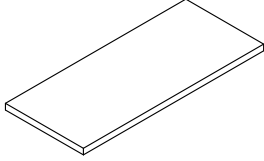
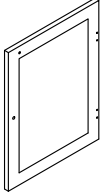
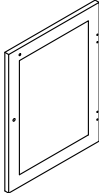
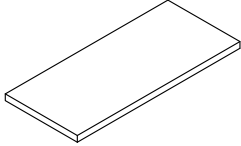
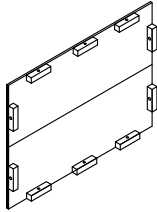
THANK YOU FOR PURCHASING THIS QUALITY PRODUCT. BE SURE TO CHECK ALL PACKING MATERIAL CAREFULLY FOR SMALL PARTS, WHICH MAY HAVE CAME LOOSE INSIDE THE CARTON DURING SHIPMENT. COUNT ALL PARTS AND MATERIAL HARDWARE, COMPARE WITH PARTS LIST TO BE SURE ALL PART ARE PRESENT. IF ANY PARTS ARE MISSING OR DAMAGED, PHONE, FAX OR MAIL TO OUR CUSTOMER SERVICE DEPARTMENT. FOR EFFICIENT AND SPEEDY SERVICE PLEASE INDICATE THE MODEL NUMBER AND CODE LETTER OF PART NEED.

**IMPORTANT NOTE:** FOLLOW INSTRUCTIONS LISTED BELOW IN PROPER SEQUENCE AS NUMBERED TO ASSURE FAST, EASY AND CORRECT ASSEMBLY.

## HARDWARE LIST

WOOD DOWEL 8 PCS 	ROUND HEAD BOLT FLAT WASHER SPRING WASHER 16 SETS 	MAGNET LOCK FLAT HEAD SCREW 1 SET 	IRON SLICE FLAT HEAD SCREW 2 SETS 
(1)	(2)	(3)	(4)
HINGE FLAT HEAD SCREW 4 SETS 	KNOB ROUND HEAD BOLT 2 SETS 	SHELF HOLDER FLAT HEAD SCREW 12 SETS 	FLAT HEAD SCREW 10 PCS 
(5)	(6)	(7)	(8)
ALLEN KEY 1 PC 	TILTING PREVENT HARDWARE 2 SETS 	GLUE 1 PC 	(9)
(9)	(10)	(11)	

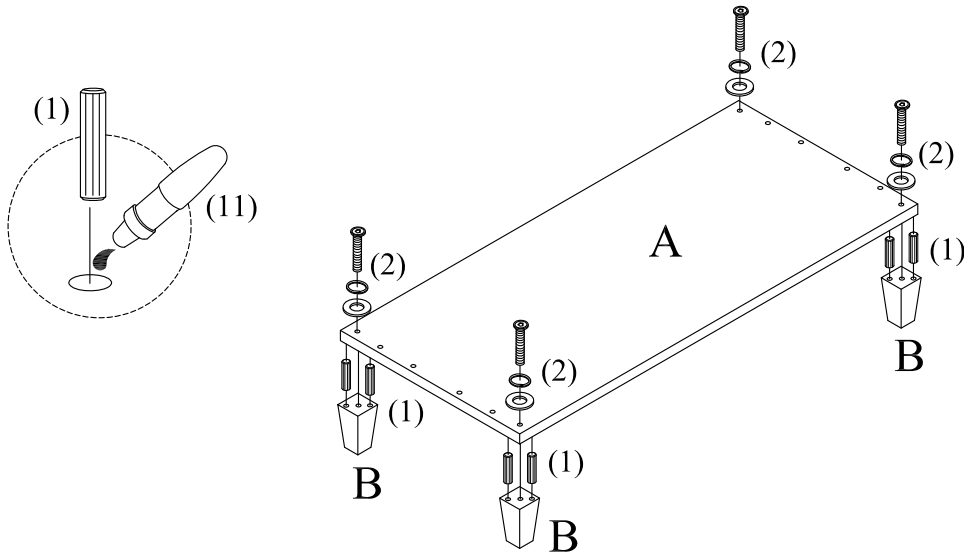
# PARTS LIST

<p><b>BOTTOM PANEL</b> 1 PC</p>  <p style="text-align: right;">A</p>	<p><b>LEG</b> 4 PCS</p>  <p style="text-align: right;">B</p>	<p><b>RIGHT SIDE FRAME</b> 1 PC</p>  <p style="text-align: right;">C</p>
<p><b>LEFT SIDE FRAME</b> 1 PC</p>  <p style="text-align: right;">D</p>	<p><b>SHELF</b> 1 PC</p>  <p style="text-align: right;">E</p>	<p><b>TOP PANEL</b> 1 PC</p>  <p style="text-align: right;">F</p>
<p><b>DOOR</b> 1 PC</p>  <p style="text-align: right;">G</p>	<p><b>DOOR</b> 1 PC</p>  <p style="text-align: right;">H</p>	<p><b>SHELF</b> 3 PC</p>  <p style="text-align: right;">I</p>
<p><b>BACK PANEL</b> 1 PC</p>  <p style="text-align: right;">J</p>		

NOTE: THE SURFACE WITH THE STICKER IS THE BACK SIDE.

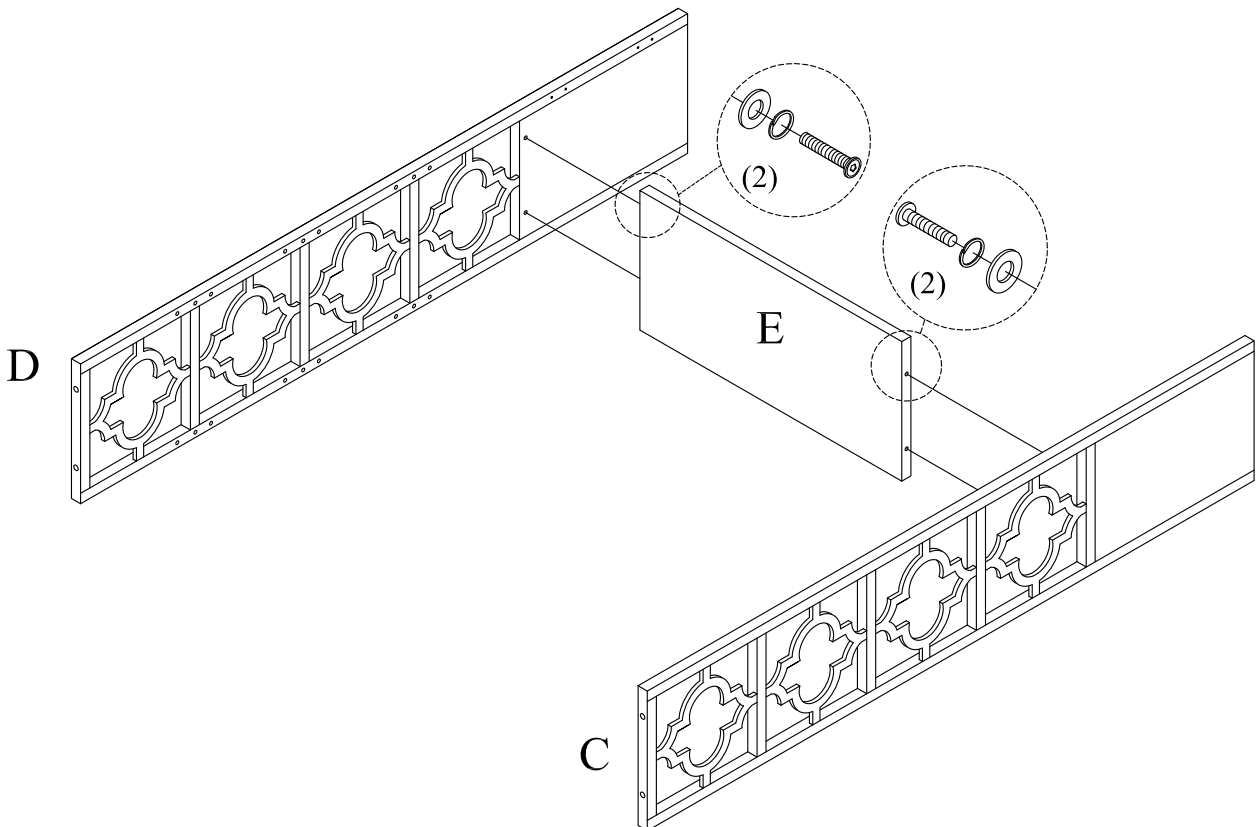
STEP 1: ASSEMBLE BOTTOM PANEL (A) AND LEG (B)

- FILL RELEVANT HOLES 1/4 FULL OF GLUE, INSERT WOOD DOWEL (1) INTO THESE HOLES. (DETAILS SEE WOODEN DOWEL INSTALLATION PROCEDURE ON PAGE 2).
- USE ROUND HEAD SCREW, SPRING WASHER AND FLAT WASHER (2) TO ATTACH BOTTOM PANEL (A) AND LEG (B) TOGETHER BY ALLEN KEY (9) AS SHOWN.



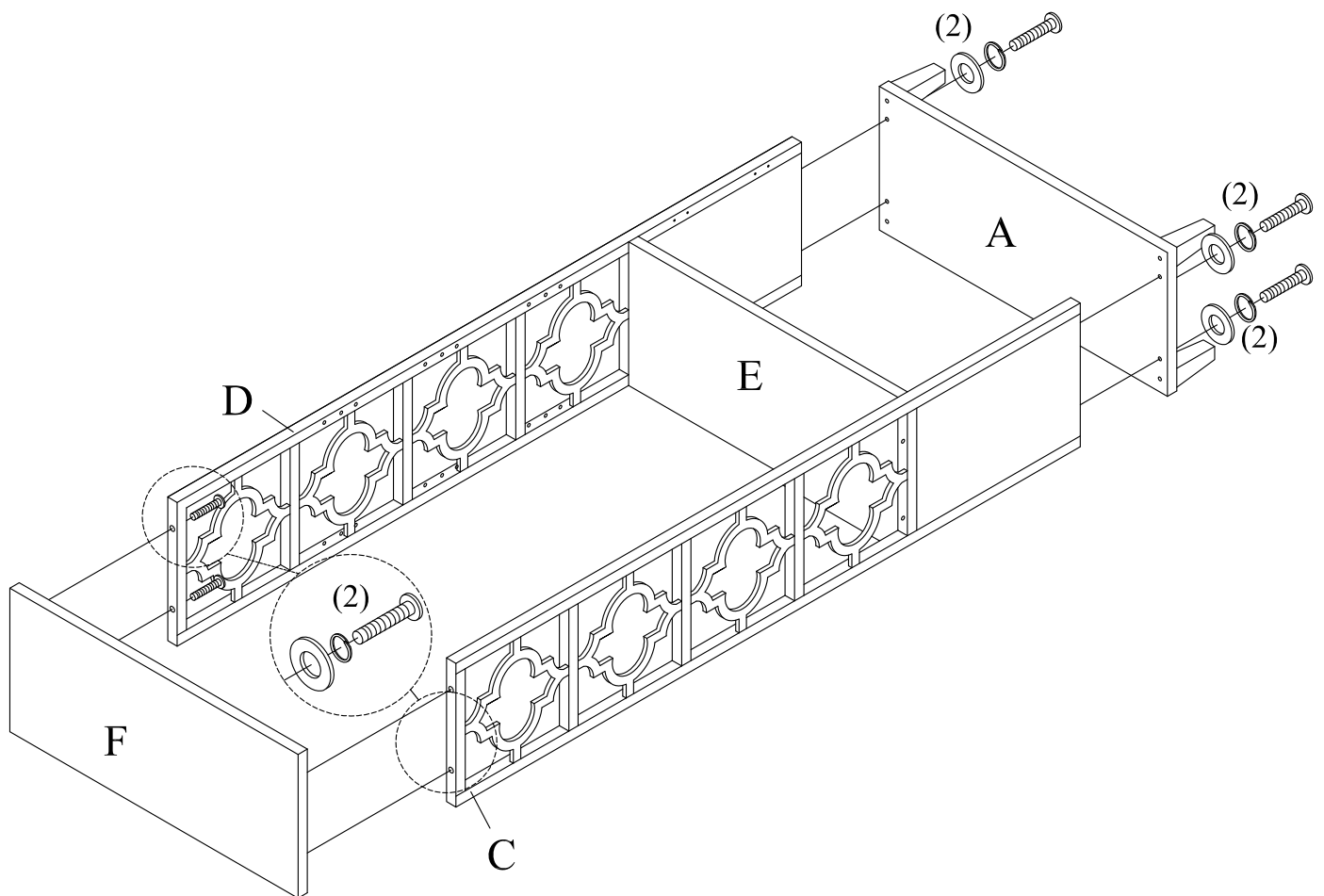
STEP 2: ASSEMBLE SIDE FRAME (C & D) AND SHELF (E)

- USE ROUND HEAD SCREW, SPRING WASHER AND FLAT WASHER (2) TO ASSEMBLE SIDE FRAME (C & D) AND SHELF PANEL (E) TOGETHER.



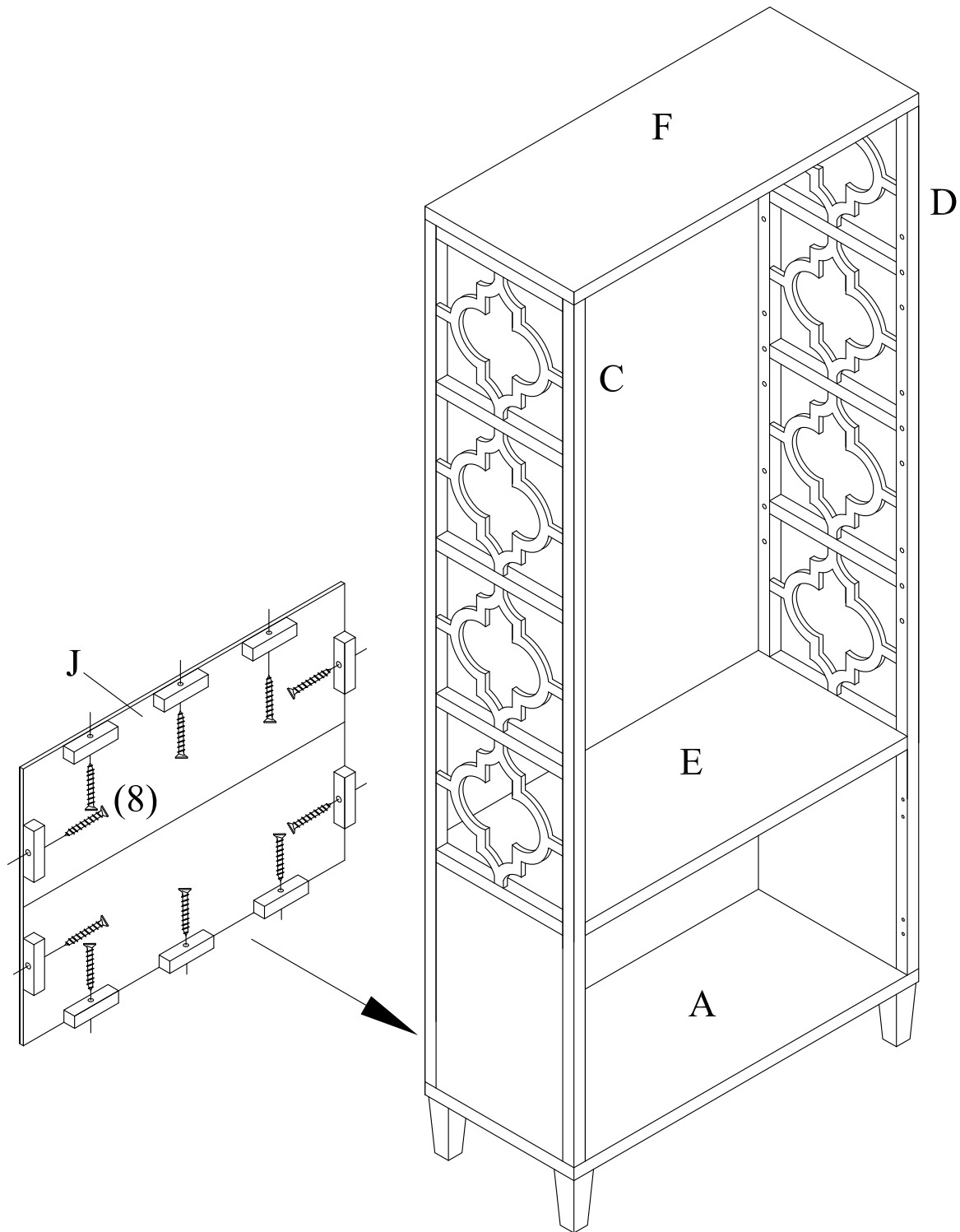
STEP 3: ASSEMBLE TOP PANEL (F) AND BOTTOM PANEL (A)

- USE ROUND HEAD SCREW, SPRING WASHER AND FLAT WASHER (2) TO ASSEMBLE SIDE FRAME (C & D), TOP PANEL (F) AND BOTTOM PANEL (A) TOGETHER.



STEP 4: ASSEMBLE BACK PANEL (J)

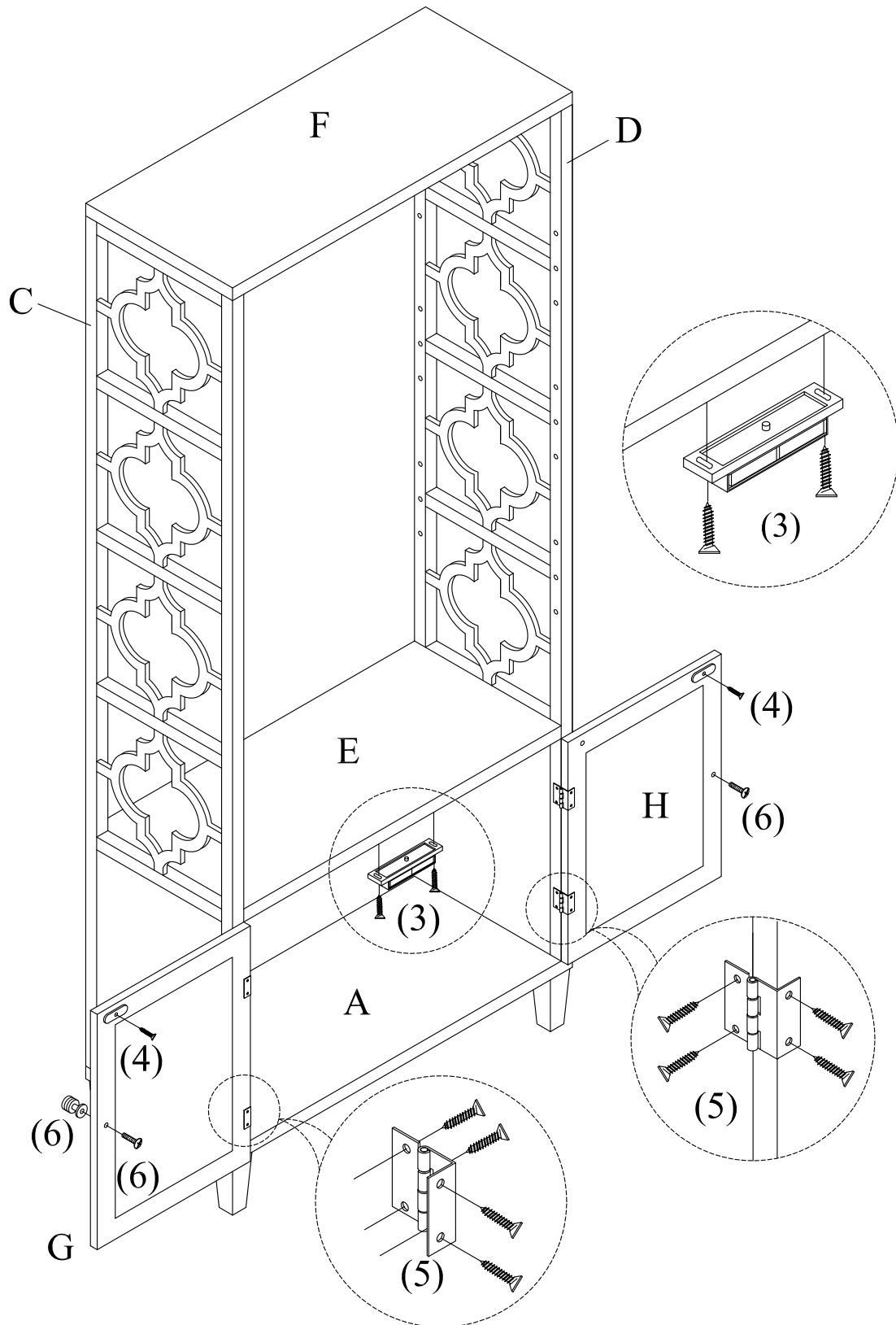
- USE FLAT HEAD SCREW (8) TO ATTACH BACK PANEL (J) ON THE BACK OF PRE-ASSEMBLED UNIT.



NOTE: BEFORE YOU ASSEMBLE THE BACK PANEL, PLEASE MAKE SURE THE 2 SIDE PANELS HAVE AN EVEN GAP BETWEEN THEM. IF UNEVEN, SHIFT THE SIDE PANELS UNTIL EVENLY SPACED, THEN ATTACH BACK PANEL.

STEP 5: ASSEMBLE DOOR (G & H)

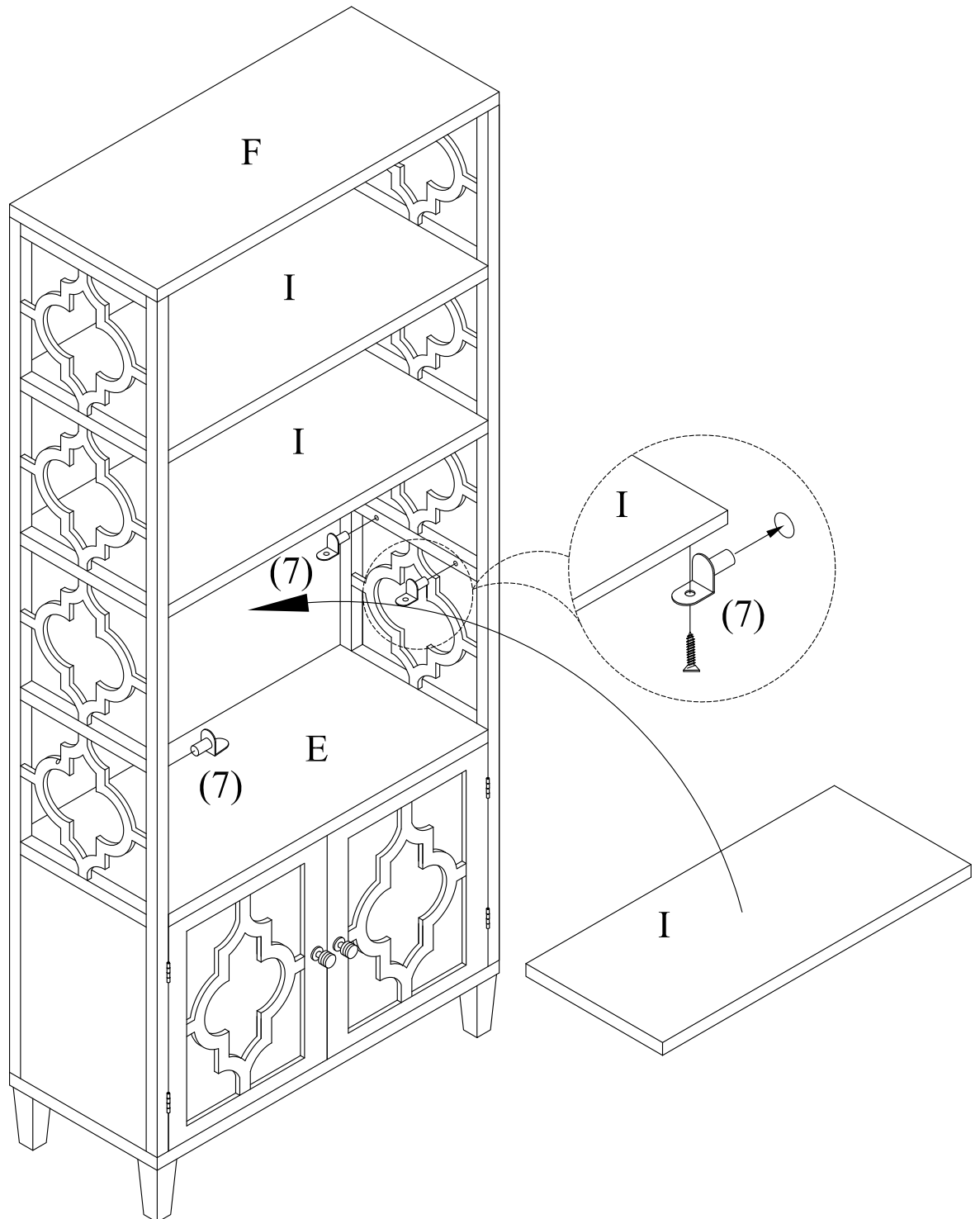
- USE FLAT HEAD SCREW (5) AND HINGE (5) TO ATTACH DOOR (G & H) ONTO SIDE FRAME (C & D).
- USE ROUND HEAD BOLT (6) TO ATTACH KNOB (6) ONTO DOOR (G & H).
- USE FLAT HEAD SCREW (4) TO ATTACH IRON SLICE (4) ONTO DOOR (G & H).
- USE FLAT HEAD SCREW (3) TO ATTACH MAGNET LOCK (3) ONTO SHELF (E).





STEP 6: ASSEMBLE SHELF (I)

- INSERT SHELF HOLDERS (7) INTO THE HORIZONTAL HOLES INSIDE OF SIDE FRAME (C & D), THEN USE FLAT HEAD SCREW (7) TO FIX SHELF (I) AND SHELF HOLDER (7).



**STEP 7: ASSEMBLE PREVENT DEVICE (10)**

- USE ELECTRIC DRILL TO DRILL 4 SMALL HOLES ON THE DESIRED LOCATION OF WALL, INSERT 4 GECKOS INTO THE 4 HOLES BY RUBBER Mallet, USE TWO LONG SCREWS TO ATTACH ONE PLASTIC SLICE ONTO WALL, THEN USE TWO SHORT SCREWS TO ATTACH ANOTHER PLASTIC SLICE ON THE BACK OF PRE-ASSEMBLED PRODUCT.
- USE THE PLASTIC ROPE TO LINK THE PRODUCT AND WALL TOGETHER.

**WARNING:** THE TILTING PREVENT HARDWARE MUST BE USED AS A PART OF ASSEMBLY, OTHERWISE, TILTING DANGER MAY CAUSED.

