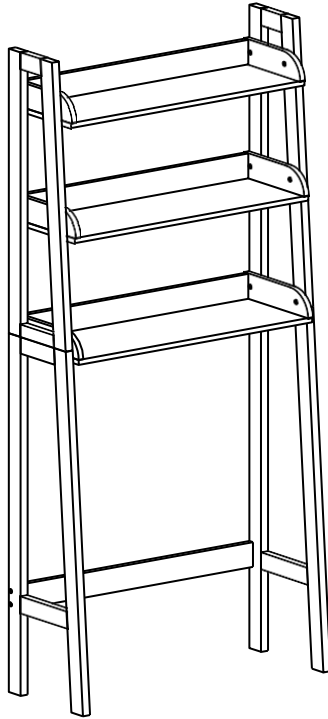




ASSEMBLY INSTRUCTIONS



RiverRidge® Ladder Spacesaver

ITEM #: 06-098 WHITE

ITEM #: 06-099 GRAY

ADULT ASSEMBLY REQUIRED

This product requires assembly by an adult because of small parts. Care should be taken in unpacking and assembling this item to keep small parts away from children.

WARNING **SEE FULL WARNING ON PAGE 2**

Young children can be seriously injured or killed if furniture tips over. Don't use this item for a TV stand or place heavy objects on top of item. Always use angle-braces or anchors to secure furniture to the wall.

THIS SHELF UNIT WILL HOLD UP TO 20 POUNDS PER SHELF OR A TOTAL OF 60 POUNDS. DO NOT LOAD EACH SHELF WITH MORE THAN 20 POUNDS OR 60 POUNDS TOTAL WEIGHT. IF OVERLOADED WITH MORE THAN 20 POUNDS PER SHELF OR 60 POUNDS TOTAL WEIGHT, SHELF MAY TIP FROM WALL AND CAUSE SERIOUS INJURY OR DEATH.

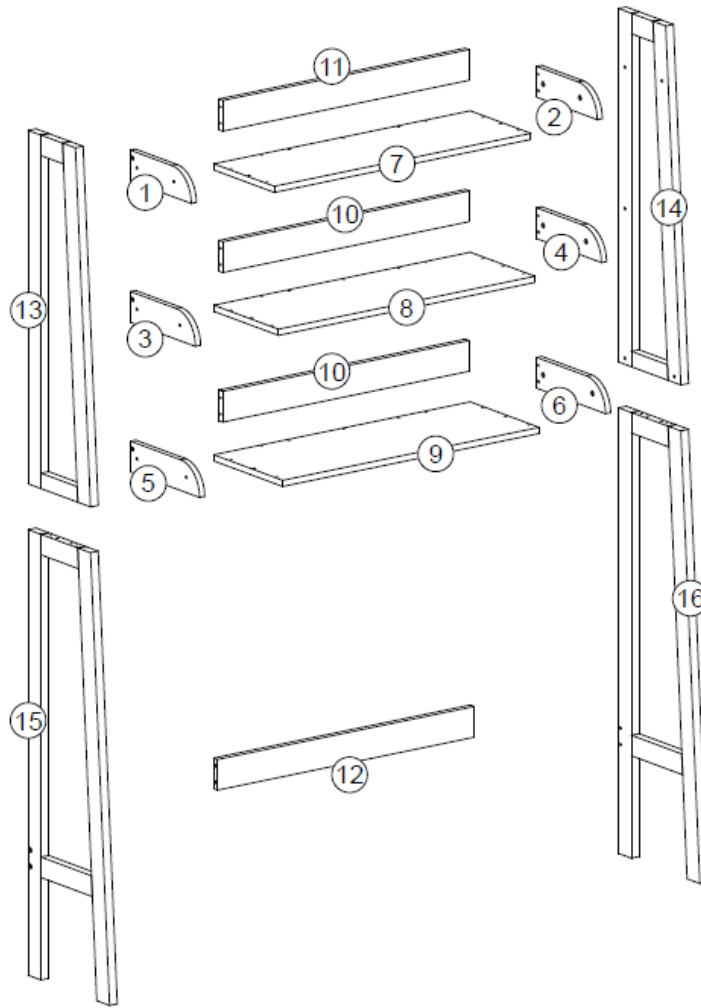


WARNING










SERIOUS OR FATAL INJURIES CAN OCCUR FROM FURNITURE TIP-OVER. TO HELP PREVENT TIP-OVER:

- **Always use tip over restraints and/or wall anchors to secure furniture to the wall**
- **Place heaviest items in the lowest drawers/bins or shelves**
- **Do not set TV's or other heavy objects on the top of this product**
- **Never allow children to climb or hang on to the drawers/bins, doors or shelves of furniture**
- **Never open more than one drawer at a time or defeat or remove any drawer interlock system**

PARTS LIST



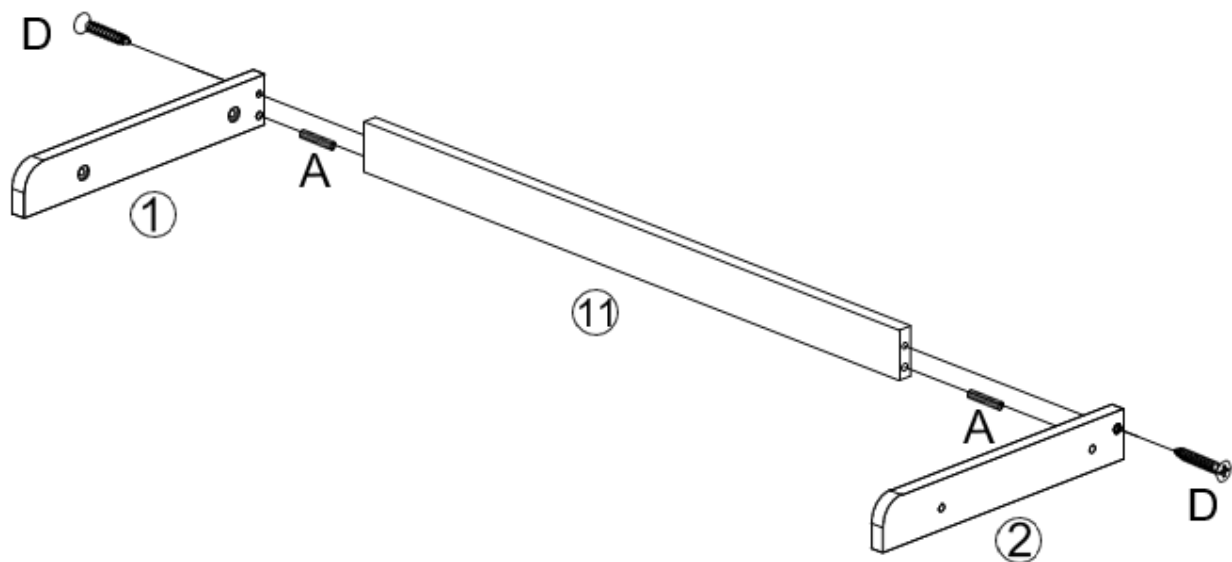
NO	QTY	DESCRIPTION
1	IPC	TOP SHELF LEFT RAIL BOARD
2	IPC	TOP SHELF RIGHT RAIL BOARD
3	IPC	MIDDLE SHELF LEFT RAIL BOARD
4	IPC	MIDDLE SHELF RIGHT RAIL BOARD
5	IPC	BOTTOM SHELF LEFT RAIL BOARD
6	IPC	BOTTOM SHELF RIGHT RAIL BOARD
7	IPC	TOP SHELF
8	IPC	MIDDLE SHELF
9	IPC	BOTTOM SHLF
10	2PCS	REAR RAIL BOARD
11	IPC	TOP REAR RAIL BOARD
12	IPC	BOTTOM REAR CROSS BAR
13	IPC	UPPER LEFT SIDE FRAME
14	IPC	UPPER RIGHT SIDE FRAME
15	IPC	BOTTOM LEFT SIDE FRAME
16	IPC	BOTTOM RIGHT SIDE FRAME

NO	PART	QTY	DESCRIPTION
A		22PCS	WOOD DOWEL
B		8PCS	SCREW (4 X 60MM)
C		12PCS	MACHINE SCREW (6 X 20MM)
D		27PCS	WOOD SCREW (3.5 X 25MM)
E		1PC	WOOD SCREW (4 X 30MM)
F		1PC	WOOD SCREW (3 X 12MM)
G		1PC	PLASTIC ANCHOR
H		2PCS	BRACKET
I		1PC	PLASTIC LOCK STRAP

**TOOLS NEEDED FOR ASSEMBLY: FLAT & PHILLIPS SCREWDRIVER (NOT INCLUDED)
THE USE OF POWER SCREWDRIVER IS NOT RECOMMENDED FOR ASSEMBLY
TOOL NEEDED FOR SECURING TO WALL: POWER DRILL (NOT INCLUDED)**

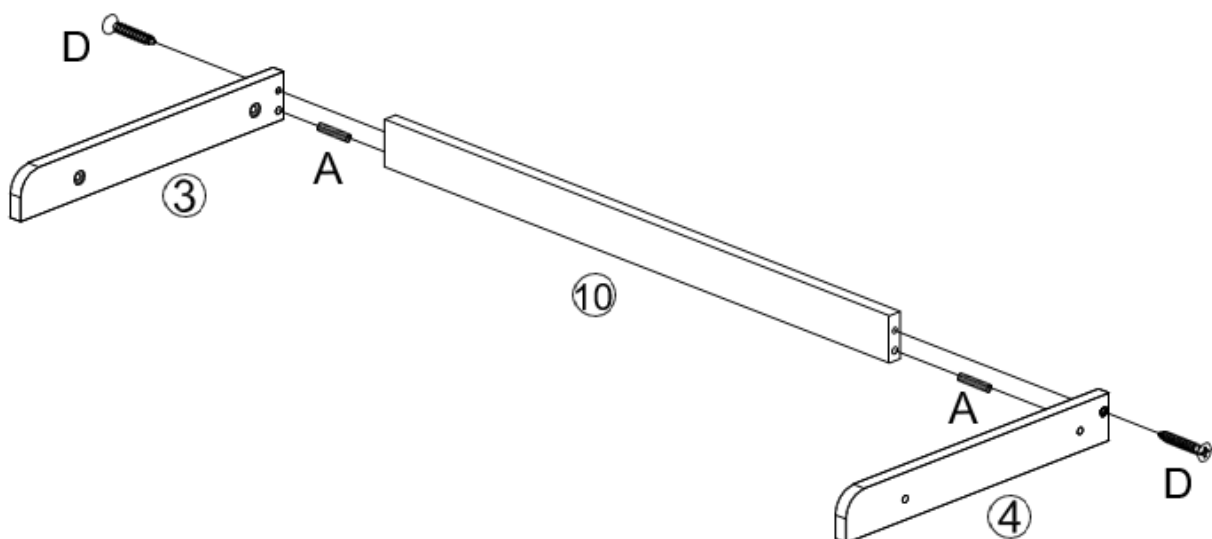
To order replacement parts at no cost to you, email customer.service@ssi-rr.com,
call 1-(844)-223-5201 or order parts online at www.riverridgehome.com

STEP 1



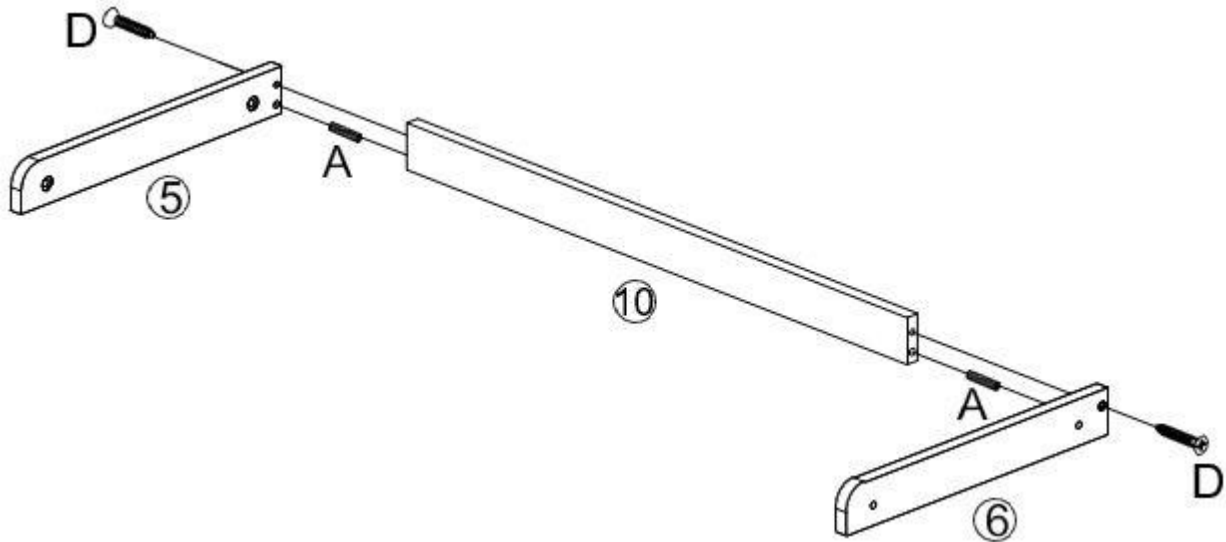
1. Insert 1 wood dowel (A) into wood dowel hole on end of top rear rail board (11).
2. Attach top shelf left rail board (1) to top rear rail board (11) by inserting wood dowel (A) into hole on top shelf left rail board (1). Make sure hole on top rear rail board (11) is facing towards back side of shelf.
3. Insert 1 wood screw (D) through hole on top shelf left rail board (1) and tighten to top rear rail board (11).
4. Repeat above steps to assemble top shelf right rail board (2) to top rear rail board (11).

STEP 2



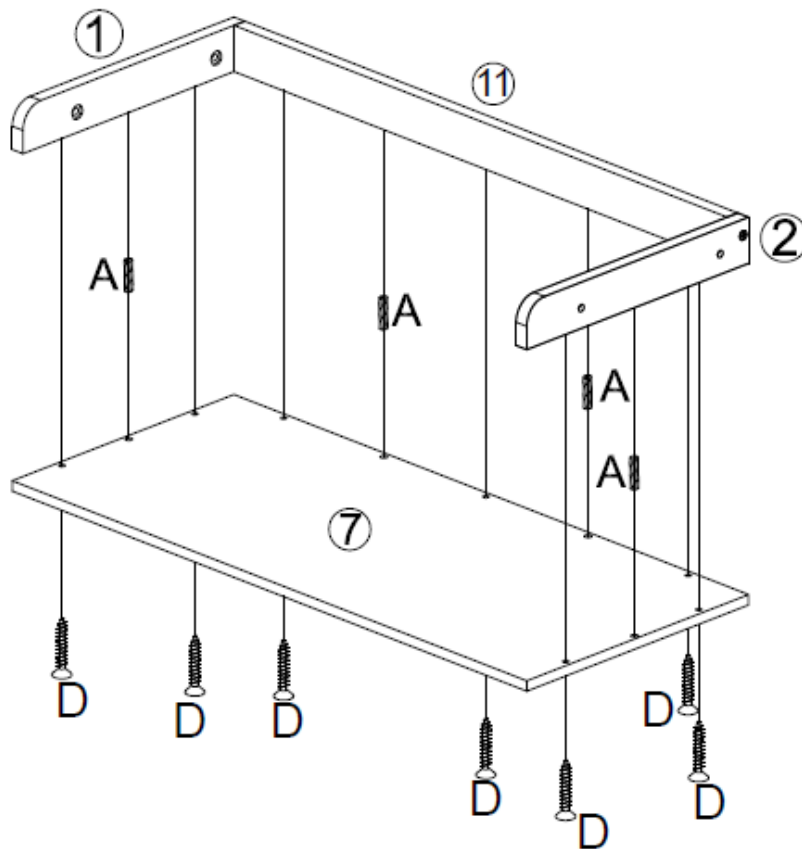
1. Insert 1 wood dowel (A) into wood dowel hole on end of rear rail board (10)
2. Attach middle shelf left rail board (3) to rear rail board (10) by inserting wood dowel (A) into hole on middle shelf left rail board (3).
3. Insert 1 wood screw (D) through hole on middle shelf left rail board (3) and tighten to rear rail board (10).
4. Repeat above steps to assemble middle shelf right rail board (4) to rear rail board (10).

STEP 3



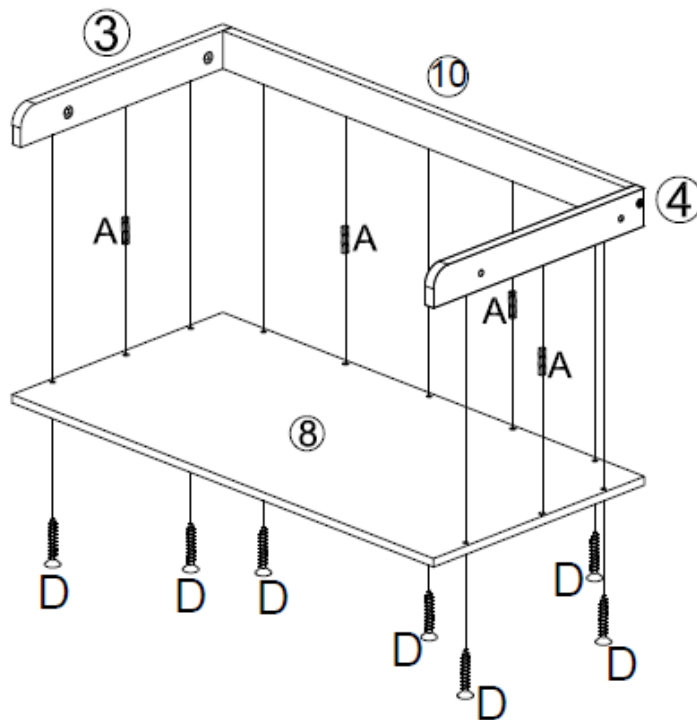
1. Insert 1 wood dowel (A) into wood dowel hole on end of rear rail board (10).
2. Attached bottom shelf left rail board (5) to rear rail board (10) by inserting wood dowel (A) into hole on bottom shelf left rail board (5).
3. Insert 1 wood screw (D) through hole on bottom shelf left rail board (5) and tighten to rear rail board (10).
4. Repeat above steps to assemble bottom shelf right rail board (6) to rear rail board (10).

STEP 4



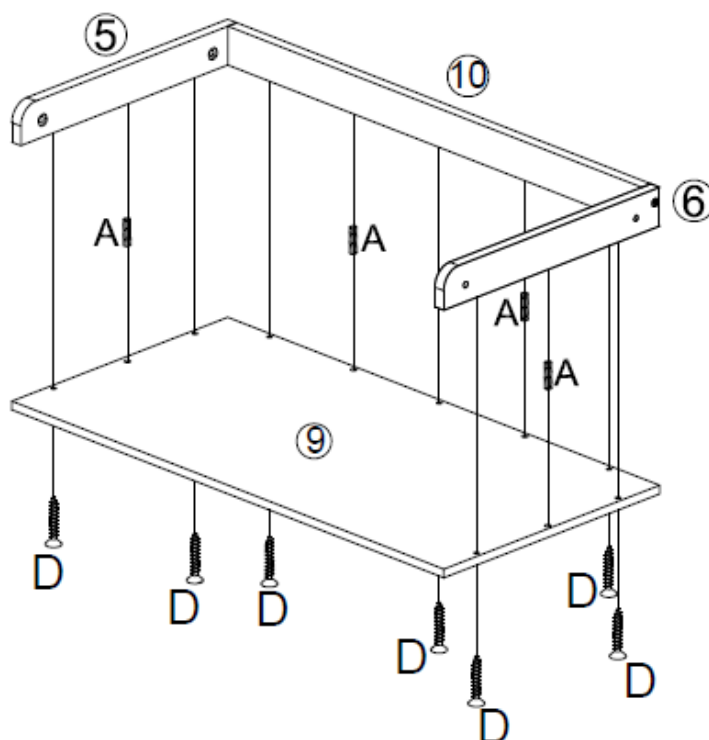
1. Insert 4 wood dowels (A) into wood dowel holes on top shelf (7).
2. Attach top shelf (7) to pre-assembled top shelf left rail board (1), top shelf right rail board (2) and top rear rail board (11) by inserting wood dowels (A) into wood dowel holes on top shelf left rail board (1), top shelf right rail board (2) and top rear rail board (11).
3. Insert 7 wood screws (D) through holes on top shelf (7) and tighten to top shelf left rail board (1), top shelf right rail board (2) and top rear rail board (11).

STEP 5



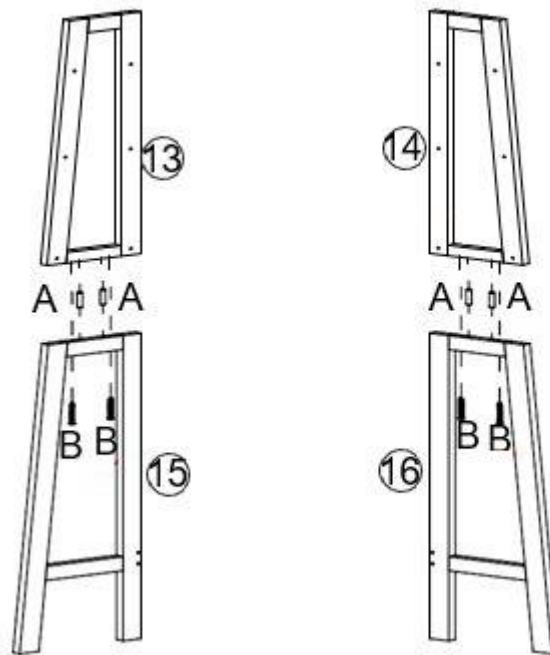
1. Insert 4 wood dowels (A) into wood dowel holes on middle shelf (8).
2. Attach middle shelf (8) to pre-assembled middle shelf left rail board (3), middle shelf right rail board (4) and rear rail board (10) by inserting wood dowels (A) into wood dowel holes on middle shelf left rail board (3), middle shelf right rail board (4) and rear rail board (10).
3. Insert 7 wood screws (D) through holes on middle shelf (8) and tighten to middle shelf left rail board (3), middle shelf right rail board (4) and rear rail board (10).

STEP 6



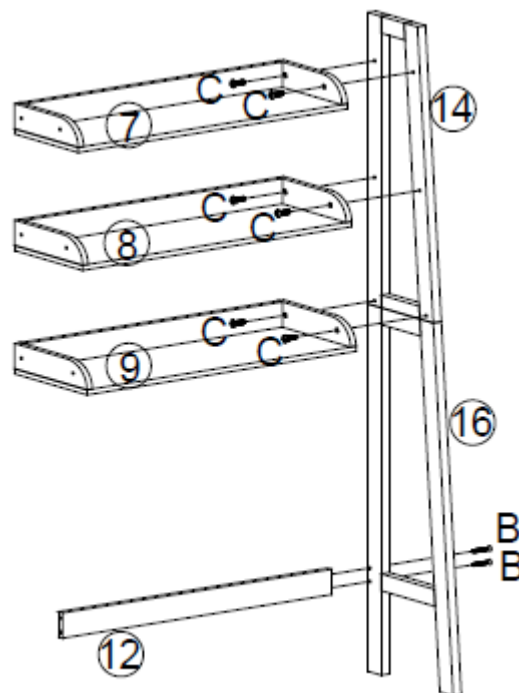
1. Insert 4 wood dowels (A) into wood dowel holes on bottom shelf (9).
2. Attach bottom shelf (9) to pre-assembled bottom shelf left rail board (5), bottom shelf right rail board (6) and rear rail board (10) by inserting wood dowels (A) into wood dowel holes on bottom shelf left rail board (5), bottom shelf right rail board (6) and rear rail board (10).
3. Insert 7 wood screws (D) through holes on bottom shelf (9) and tighten to bottom shelf left rail board (5), bottom shelf right rail board (6) and rear rail board (10).

STEP 7



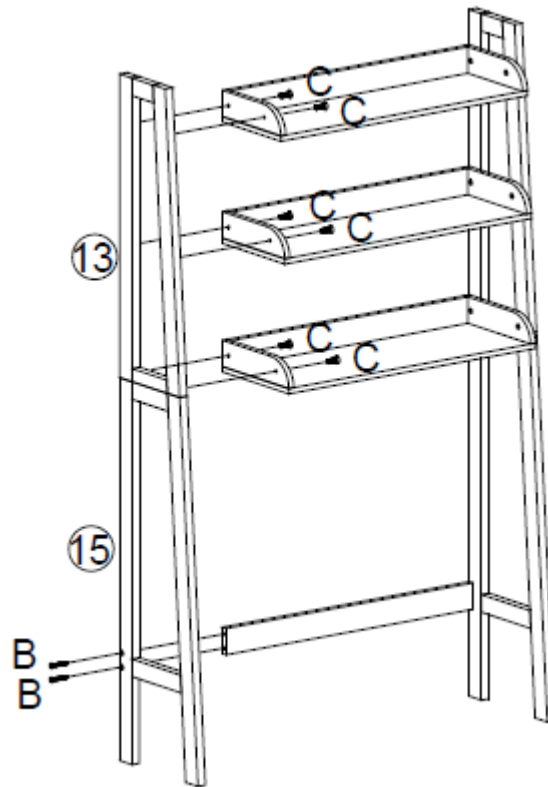
1. Insert 2 wood dowels (A) into wood dowel holes on upper left side frame (13).
2. Attach upper left side frame (13) to bottom left side frame (15) by inserting wood dowels (A) into wood dowel holes on bottom left side frame (15).
3. Insert 2 screws (B) through holes on bottom left side frame (15) and tighten to upper left side frame (13).
4. Repeat above steps to assemble upper right side frame (14) to bottom right side frame (16).

STEP 8



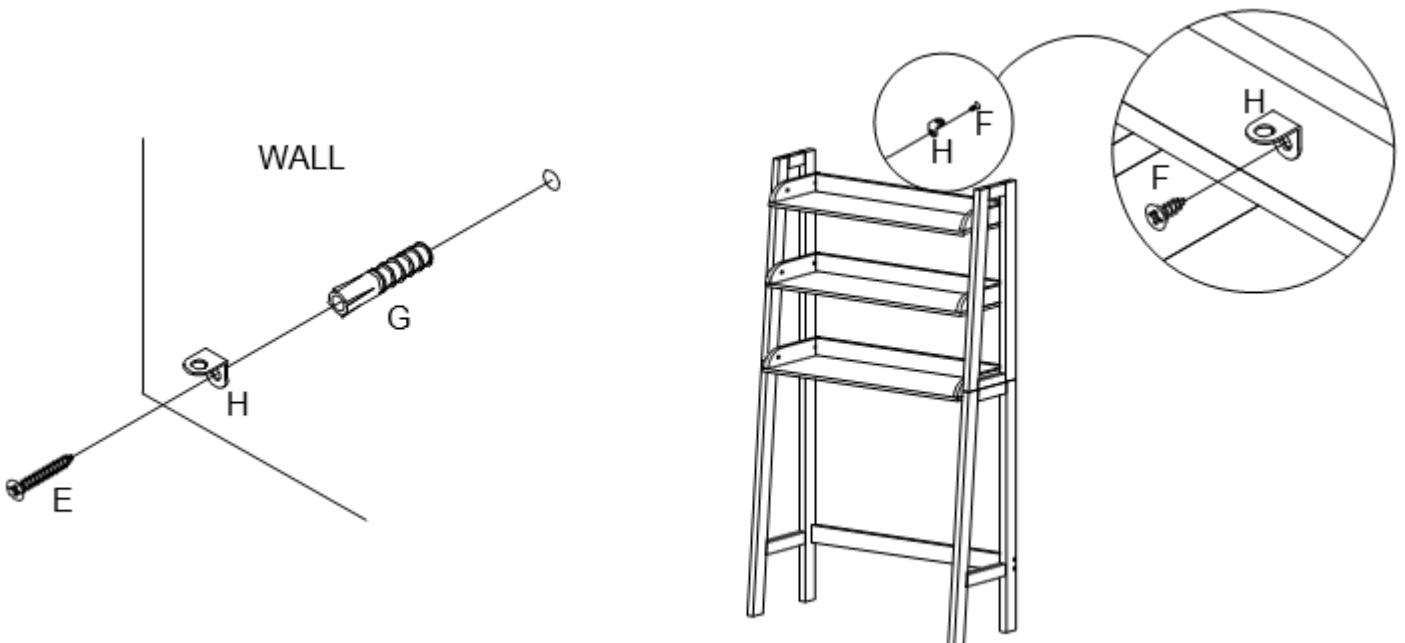
1. Attach pre-assembled top shelf (7) and rail boards to upper right side frame (14) by inserting 2 machine screws (C) through holes on top shelf right rail board (2) and tighten to upper right side frame (14).
2. Repeat above step to assemble middle shelf (8) and bottom shelf (9) to upper right side frame (14).
3. Attach bottom rear cross bar (12) to bottom right side frame (16) by inserting 2 screws (B) through holes on bottom right side frame (16) and tighten to bottom rear cross bar (12).

STEP 9



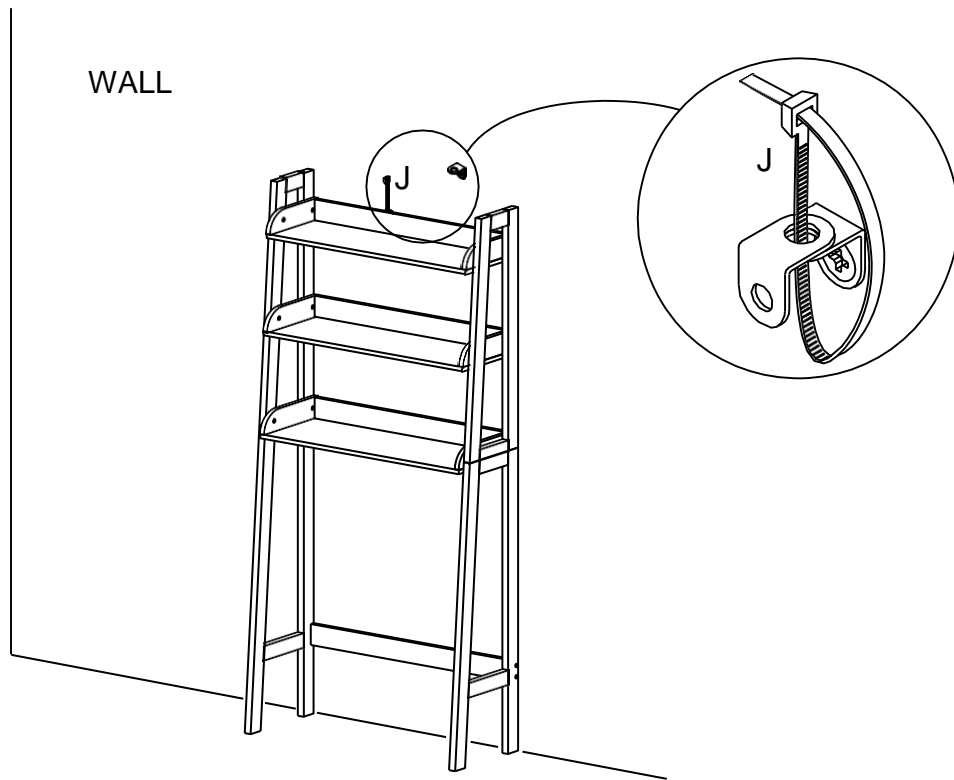
1. Attach pre-assembled top shelf (7) and rail boards to upper left side frame (13) by inserting 2 machine screws (C) through holes on top shelf left rail board (1) and tighten to upper left side frame (13).
2. Repeat above step to assemble middle shelf (8) and bottom shelf (9) to upper left side frame (13).
3. Attach bottom rear cross bar (12) to bottom left side frame (15) by inserting 2 screws (B) through holes on bottom left side frame (15) and tighten to bottom rear cross bar (12).

STEP 10



1. Attach 1 bracket (H) to top rear rail board (11) by inserting 1 wood screw (F) through hole on bracket (H) and tighten to top rear rail board (11).
2. Drill hole on wall at same height of bracket (H) on spacesaver and insert plastic anchor (G) into hole.
4. Attach 1 bracket (H) to plastic anchor (G) on wall by inserting 1 wood screw (E) through hole on bracket (H) and tighten into plastic anchor (G).

STEP 11

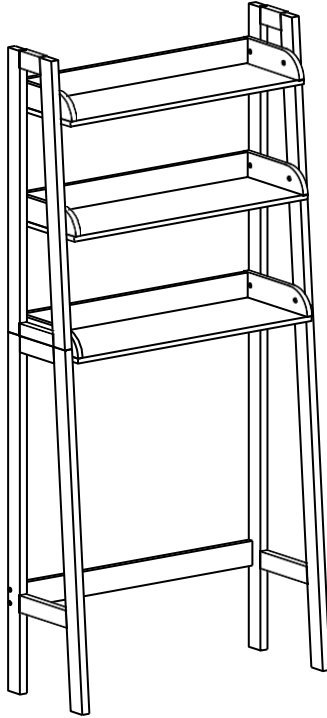


1. Place spacesaver against wall and close to Bracket (H).
2. Insert plastic lock strip (J) through hole on bracket (H) on spacesaver and through hole on bracket (H) on wall, then fasten plastic lock strip (J) to secure 2 Brackets (H) firmly together.

ATTENTION ADULTS: Cabinet should be checked periodically for damage or loose screws/parts. Take appropriate action necessary to correct hazards such as tightening of screws and taking any damaged parts away from children.

WARNING  **Please make sure your item is secured to the wall, per assembly instructions.**

Enjoy your new RiverRidge® Cabinet!



Thank you for purchasing this RiverRidge® Home item. We hope you enjoy it and consider purchasing other RiverRidge® items.

To order replacement parts at no cost to you, email customer.service@ssi-rr.com, call 1-(844)-223-5201 or order parts online at www.riverridgehome.com



RiverRidge® is a registered trademark of Sourcing Solutions, Inc., Hudson, WI 54016