

#### Features

- Unique three-function pull-down sprayhead allows you to tackle kitchen tasks such as cleaning, rinsing and filling with Sweep™ Spray, BerrySoft™ spray and aerated stream.
- Unique handle execution provides intuitive use and eliminates handle interference with backsplashes.
- DockNetik™, a magnetic docking system located within the spout, smoothly glides and securely locks the sprayhead into place.
- Ceramic disc valves exceed industry longevity standards, ensuring durable performance for life.
- ProMotion® technology's light, quiet braided hose and swiveling ball joint make the pull-down sprayhead easier and more comfortable to use.
- MasterClean™ sprayface features an easy-to-clean surface that withstands mineral buildup.
- High-arch spout 360° rotating spout offers superior clearance for filling pots and cleaning.
- Single lever handle is simple to use and makes adjusting water temperature easy.
- Temperature memory allows faucet to be turned on and off at the temperature set during prior usage.
- 1.8 gallons (6.8 L) per minute maximum flow rate at 60 psi (4.1 bar).
- Meets CalGreen requirements for kitchen faucets.

#### Material

- Premium metal construction.
- KOHLER finishes resist corrosion and tarnishing.

#### Installation

- For single-hole installation. (3-hole escutcheon available, sold separately model number K-99272.)
- Flexible connections for easy installation.

#### Adapters, Rough-in and Extension Kits

1012715 Range: 3-1/4" (83 mm) - 5-3/8" (137 mm)

#### Recommended Accessories

1167289 1.5 GPM [5.7 l/min] Low Flow Kit



ADA CSA B651 OBC

#### Codes/Standards

ASME A112.18.1/CSA B125.1

NSF 61

NSF 372

All applicable US Federal and State material regulations

DOE - Energy Policy Act 1992

California Energy Commission (CEC)

ADA

ICC/ANSI A117.1

CSA B651

OBC

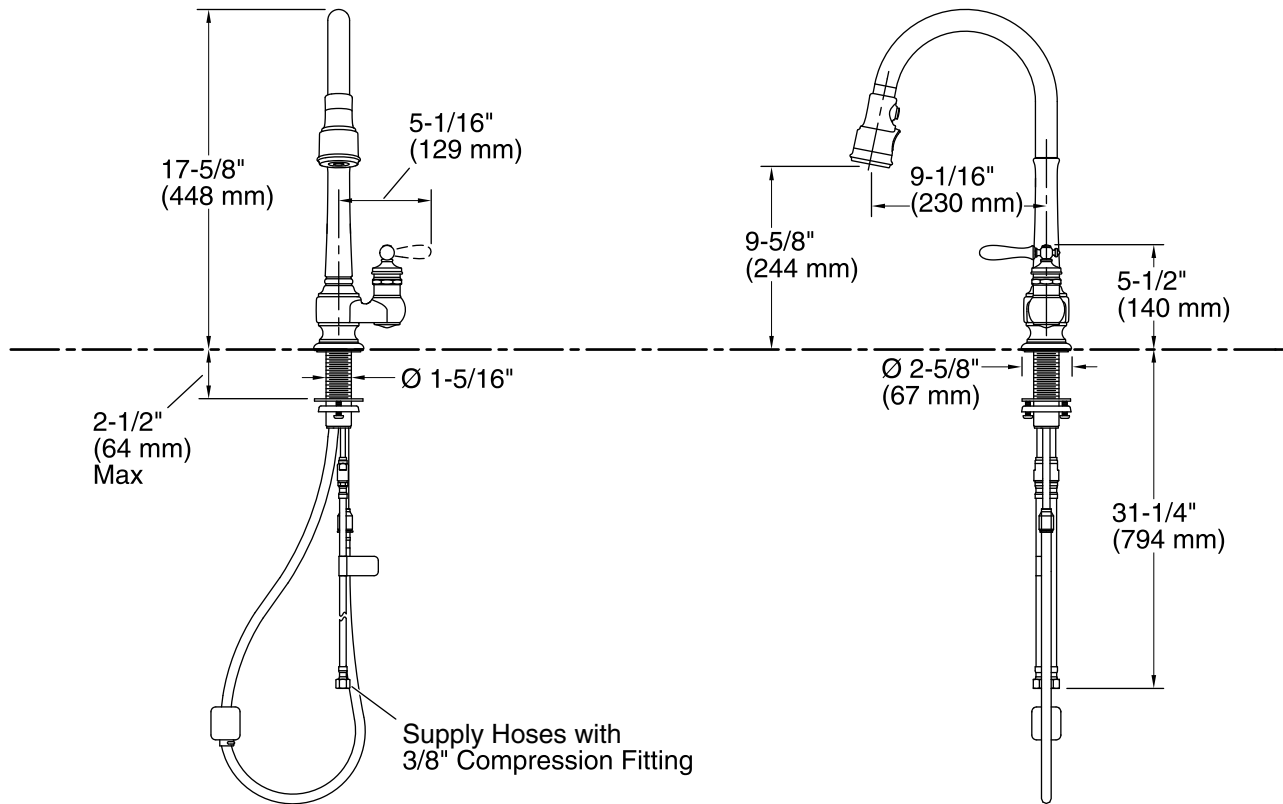
#### KOHLER® Faucet Lifetime Limited Warranty

See website for detailed warranty information.

#### Available Color/Finishes

*Color tiles intended for reference only.*

| Color                                                                                | Code | Description              |
|--------------------------------------------------------------------------------------|------|--------------------------|
|  | CP   | Polished Chrome          |
|  | SN   | Vibrant® Polished Nickel |
|  | VS   | Vibrant® Stainless       |
|  | 2BZ  | Oil-Rubbed Bronze        |



### Technical Information

All product dimensions are nominal.

#### Faucet:

Flow rate: 1.8 gal/min (6.8 l/min)

Pressure: 60 psi (4.1 bar)

### Notes

Install this product according to the installation guide.

ADA, OBC, CSA B651 compliant when installed to the specific requirements of these regulations.