

## TECHNICAL SPECIFICATIONS



### Cetra® 532 Whirlpool Bath with Integral Skirt

CTS6032 WRL 2XX	Cetra 532 Whirlpool Bath with Integral Skirt Right Hand (H526)
CTS6032 WLR 2XX	Cetra 532 Whirlpool Bath with Integral Skirt Left Hand (H525)

#### INSTALLATION NOTES

Refer to installation instructions included with fixture before beginning installation. Please confirm product availability and specifications before commencing with any installation work.

PRODUCT SPECIFICATIONS AND AVAILABILITY ARE SUBJECT TO CHANGE WITHOUT NOTICE.

## KEY DIMENSIONS

#### DIMENSIONS

60" L x 32" W x 20-1/2" H

(1524 mm) L x (813 mm) W x (521 mm) H

#### DRAIN/OVERFLOW

A: 17-7/8" (454 mm) B: 9-3/8" (238 mm)

#### CUTOUT

N/A

#### TOTAL WEIGHT

823 lb (373 kg) / 62 lb/sq. ft. (303 kg/m<sup>2</sup>)

#### OPERATING GALLONAGE

Min. 37 U.S. gallons (140 liters)

Max. 55 U.S. gallons (208 liters)

#### PRODUCT WEIGHT

115 lb (52 kg)

#### SKIRT MOUNTING

Integral

#### ELECTRICAL SPECIFICATIONS

Requires a dedicated GFCI protected separate circuit.

Motor/Pump: 120 VAC, 15 AMP, 60 Hz.

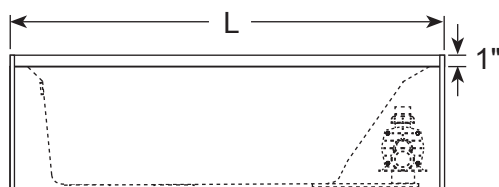
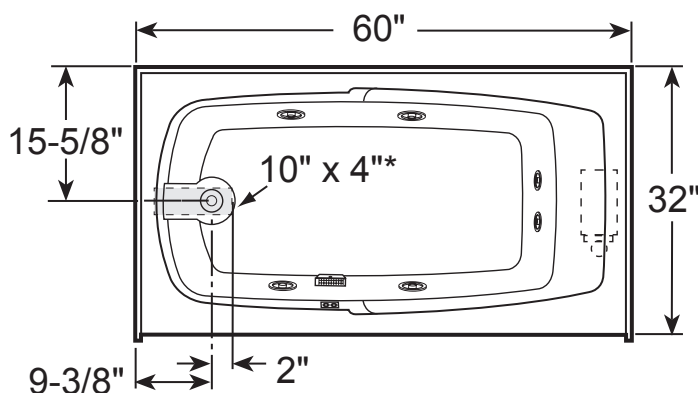
Rapid Heat: 120 VAC, 15 AMP, 60 Hz.

#### HEATER (OPTIONAL)

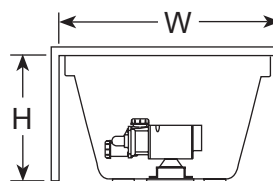
Requires a dedicated GFCI protected separate circuit.

## FEATURES, UPGRADES & ACCESSORIES

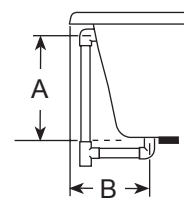
- Right and Left Hand Drain Location
- Accessories / Hardware:
  - TheraPro™ Jet Rings Kit #D095
  - AccuPro™ Jet Rings Kit #P556 (2 kits required)
- Trim Kit Finishes Available:
  - (827) – Chrome
  - (826) – Brushed Nickel
  - (849) – Oil Rubbed Bronze



SIDE VIEW



END VIEW



DRAIN/OVERFLOW