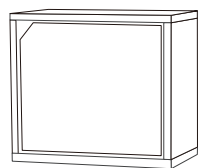


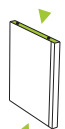
# CONNECT DOOR CUBE



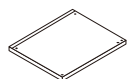
## Included



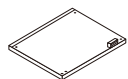
8 Alignment Pins  
4 connectors pins



2 Vertical zBoards  
adhesive strips on 2 edges



1 Bottom zBoard  
with door pin slot



1 Top zBoard  
with magnetic door stopper



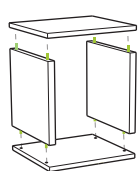
1 Backer Board  
thin and has no adhesive



1 zBoard Door

**WARNING: CHOKING HAZARD**  
Small parts NOT for children under 3 years

## Important



↑  
THIS SIDE UP

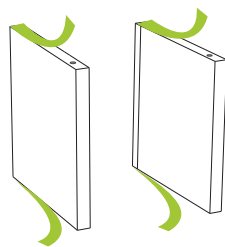
**Tip** Start assembly from bottom to top.

**DO NOT** place unit on its side or back as it will compromise its structural integrity.

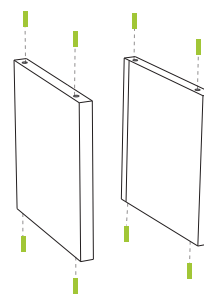


- Assemble your unit on a flat even surface, carpet not recommended
- Furniture is for indoor use only

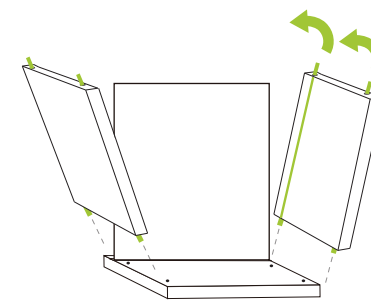
- When moving your Way Basics furniture, lift from the bottom
- Make sure zBoard surfaces are clean and dry



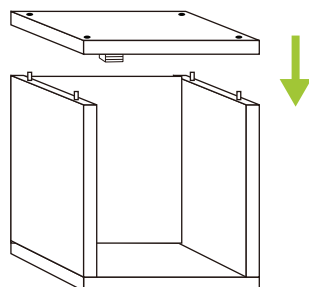
**1** Carefully remove the 3M protective layer from adhesive.



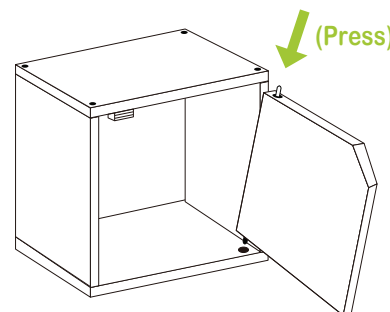
**2** Place alignment pins in vertical zBoards.



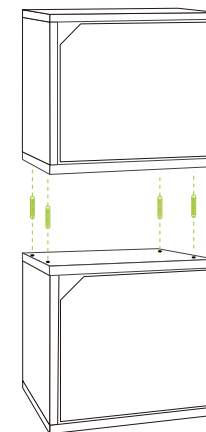
**3** First fit backer board in groove, then arrange vertical zBoard with grooves facing backer board as shown.



**4** Align top zBoard.



**5** Orient door properly as shown and align bottom pin. Press on spring loaded top pin and insert.



**6** Join other connect cubes with connector pins! Visit links below for more details. Enjoy building possibilities!

**Note** Use included decals to cover the connector holes if not stacking cubes.

