

Features

- Quiet-Close technology prevents seat from slamming
- Grip-Tight Bumpers add stability and prevent shifting
- Quick-Attach Hardware speeds up installation and provides tight, secure fit



Codes/Standards



None Applicable

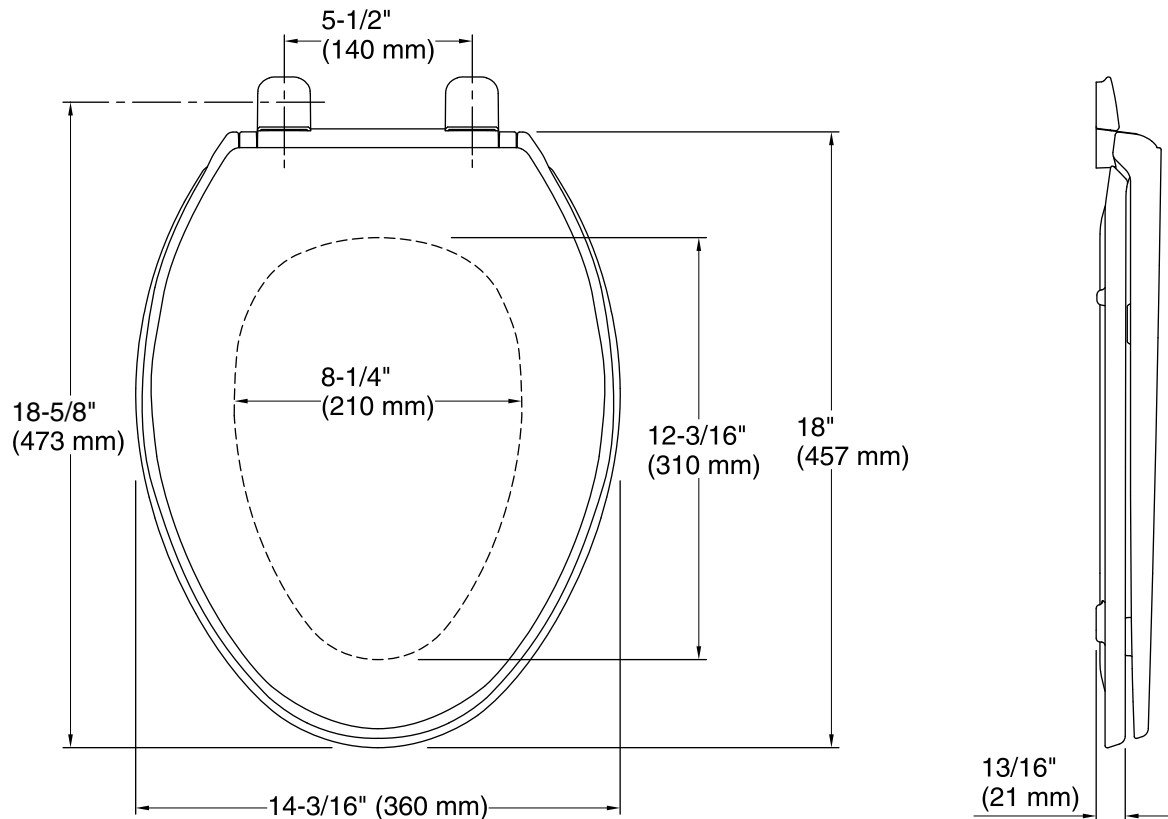
KOHLER® One-Year Limited Warranty

See website for detailed warranty information.

Available Color/Finishes

Color tiles intended for reference only.

Color	Code	Description
	0	White
	96	Biscuit



Technical Information

All product dimensions are nominal.

Seat shape type: Elongated
Seat front type: Closed front
Seat hinge type: Quiet-Close™, Quick-Attach®
Seat-mounting holes: 5-1/2" (140 mm)

Notes

Install this product according to the installation instructions.