



OVER-THE-RANGE CONVECTION MICROWAVE QUICK INSTALL & CLEARANCES

LSMC3089BD

For full installation directions/clearances please refer to the corresponding User Manual and Installation Guide.

DIMENSIONS

Cavity (WxHxD)	21-1/4" x 9-9/16" x 14-3/16"
Exterior (WxHxD)	29-15/16" x 16-7/16" x 15-3/8"
Shipping Qty.	330 sets / 40ft.
Net Weight	68 lbs
Shipping Weight	83 lbs
Shipping Dimensions (WxHxD)	33-3/5" x 20-1/2" x 19-1/2"

SAVE THESE INSTRUCTIONS FOR THE LOCAL ELECTRICAL INSPECTOR'S USE.

DO NOT EXPOSE YOURSELF TO EXCESSIVE MICROWAVE ENERGY!

- DO NOT try to operate the microwave oven with the door open.
- DO NOT tamper with or defeat the safety interlocks.
- DO NOT place objects between the microwave oven front face and the door.
- DO NOT allow soil or cleaner residue to build up on the flat surfaces around the microwave oven door.
- DO NOT operate the microwave oven if it is damaged.
 - The microwave oven door must close properly to operate safely.

DO NOT USE THE MICROWAVE OVEN:

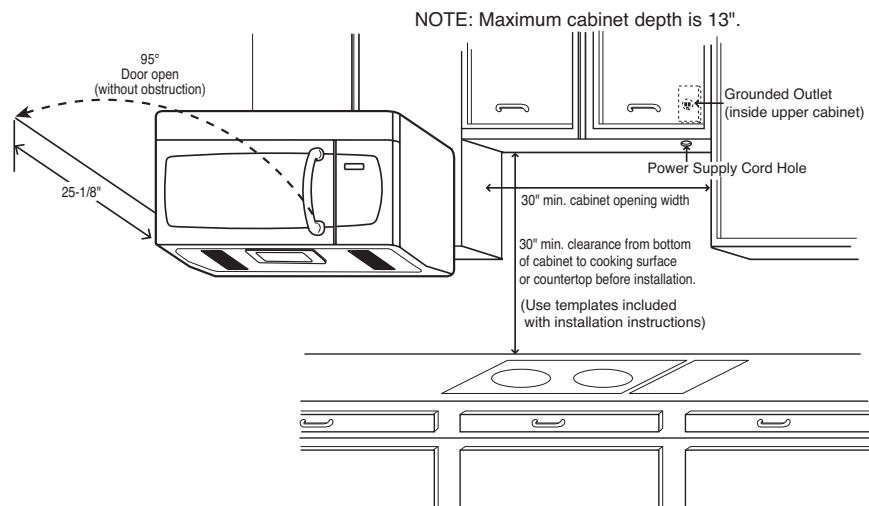
- If the door is bent.
- If the hinges or latches are broken or loose.
- If the door seals, sealing surfaces or glass is broken.

DO NOT ATTEMPT TO ADJUST OR REPAIR THE OVEN YOURSELF!

- It should be adjusted and repaired by a qualified technician who can check for microwave leakage after repairing the oven.

MAKE SURE YOU HAVE ENOUGH SPACE AND SUPPORT.

- Mount the oven against a flat, vertical wall, so that it is supported by the wall. The wall should be constructed of minimum 2" x 4" wood studding and 3/8" thick drywall or plaster/lath.
- ATTACH AT LEAST ONE of the two lag screws supporting the oven to a vertical, 2" x 4" wall stud.
- DO NOT mount the microwave oven to an island or peninsula cabinet.
- BE SURE the upper cabinet and rear wall structures are able to support 150 lbs., plus the weight of any items you place inside the oven or upper cabinet.
- Locate the oven away from strong draft areas, such as windows, doors, and strong heating vents.
- BE SURE you have enough space. See below for minimum vertical and horizontal clearance.



CAUTION:

- ⚠ Before you begin installing the oven, PLACE A PIECE OF THE CARTON OR OTHER HEAVY MATERIAL (a blanket) over the countertop or cooktop to protect it. Do not use a plastic cover. Failure to protect these surfaces could result in property damage.