

**Oster**<sup>®</sup>

*User's Manual*

## **1.4cu. ft. Countertop Microwave**



**Model: OGWX1401S  
OGCMWX14S2BS-11**

# TABLE OF CONTENTS

IMPORTANT SAFETY INSTRUCTIONS.....	2
PRECAUTIONS TO AVOID POSSIBLE EXPOSURE TO EXCESSIVE MICROWAVE ENERGY .....	3
INSTALLATION GUIDE .....	4
GROUNDING INSTRUCTIONS .....	4
INSTALLING THE TURNTABLE.....	5
PRODUCT DIAGRAM .....	5
CONTROL PANEL.....	6
OPERATION INSTRUCTIONS.....	7
QUICK COOK SETTINGS.....	11
ABOUT THE SENSOR FEATURES.....	11
SENSOR COOK SETTINGS.....	12
COOKING UTENSILS GUIDE.....	14
CLEANING AND CARE .....	15
SPECIFICATIONS .....	16

# IMPORTANT SAFETY INSTRUCTIONS

READ ALL SAFETY INSTRUCTIONS BEFORE USING THIS MICROWAVE

**WARNING** - to reduce the risk of burns, electric shock, fire, injury to persons, or exposure to excessive microwave energy, basic safety precautions should be followed, including the following:

1. Read all instructions before using the microwave.
2. Read and follow the specific "PRECAUTIONS TO AVOID POSSIBLE EXPOSURE OR EXCESSIVE MICROWAVE ENERGY" on page 3.
3. This microwave must be grounded. Connect only to properly grounded outlets. See page 4 for grounding instructions.
4. Install or place this microwave only in accordance with installation instructions.
5. Some produce such as whole eggs and sealed containers-for example, closed glass jars - are able to explode and should not be heated in this oven.
6. This microwave is intended for use only as described in this manual. Do not use corrosive chemicals or vapors in this microwave. This type of microwave is specifically designed to heat, cook, or dry foods. It is not designed for laboratory use.
7. As with any appliance, close supervision is necessary when used by children.
8. To reduce the risk of fire in the oven cavity:
  - Do not overcook food. Carefully attend to the microwave when paper, plastic, or other combustible materials are placed inside the microwave to facilitate cooking.
  - Remove wire twist-ties from paper or plastic bags before placing in microwave.
  - If materials inside the microwave should ignite, keep microwave door closed, turn it off, and disconnect the power cord or turn off the power fuse at the circuit breaker panel.
  - Do not use the microwave cavity for storage purposes. Do not leave paper products, cooking utensils, or food in the cavity when not in use.
9. Liquids, such as water, coffee, or tea, may overheat beyond the boiling point without appearing to be boiling due to surface tension of the liquid. Visible bubbling or boiling when the container is removed from the microwave is not always present. THIS COULD RESULT IN VERY HOT LIQUIDS SUDDENLY BOILING OVER WHEN A SPOON OR OTHER UTENSIL IS INSERTED INTO THE LIQUID. To reduce the risk of injury:
  - Do not overheat the liquid;
  - Stir the liquid both before and halfway through heating;
  - Do not use straight-sided containers with narrow necks;
  - After heating, allow the container to stand in the microwave a short time before removing;
  - Use extreme care when inserting a spoon or other utensil into the container.
10. Do not heat oil or fat for deep frying in this microwave. It is difficult to control the temperature of oil in the microwave.
11. Pierce foods with heavy skins, such as potatoes, before cooking.
12. The contents of feeding bottles and baby jars should be stirred or shaken and the temperature should be checked before serving to avoid burns.
13. Cooking utensils may become hot from heat transferred from the heated food. Pot holders may be needed to handle these utensils.
14. Do not cover or block any openings on the microwave.
15. Do not store or use this microwave outdoors. Do not use this microwave near water, for example, near a kitchen sink, in a wet basement, near a swimming pool, or similar location.
16. Do not operate this microwave if it has a damaged cord or plug, if it is not working properly, or if it has been damaged or dropped.

## **IMPORTANT SAFETY INSTRUCTIONS (continued)**

17. Do not immerse the cord or plug in water. Keep cord away from heated surfaces. Do not let the cord hang over the edge of the table or counter.
18. Use only thermometers specifically designed for microwaves.
19. Do not operate any heating or cooking under this microwave.
20. Be certain the glass tray and roller rings are in place when using the microwave.
21. When cleaning microwave surface and door, use only mild, nonabrasive soaps or detergents applied with a sponge or soft cloth.
22. This equipment generates, uses and can radiate radio frequency energy and, if not installed and used in accordance with the instructions, may cause harmful interference to radio communications. However, there is no guarantee that interference will not occur in a particular installation. If this equipment does cause harmful interference to radio or television reception, which can be determined by turning the equipment off and on, the user is encouraged to try to correct the interference by one or more of the following measures:
  - Reorient or relocate the receiving antenna.
  - Increase the separation between the equipment and receiver.
  - Connect the equipment into an outlet on a circuit different from that to which the receiver is connected.
  - Consult the dealer or an experienced radio/TV technician for help.
23. This microwave should be serviced only by qualified service personnel. For service and repair, please contact our Customer Support Center at 1-800-324-0340.

## **PRECAUTIONS TO AVOID POSSIBLE EXPOSURE TO EXCESSIVE MICROWAVE ENERGY**

1. Do not attempt to operate this microwave with the door open. Door open operation can result in harmful exposure to microwave energy. It is important not to defeat or tamper with the door interlocks.
2. Do not place any objects between the microwave front face and the door, or allow soil or cleaner residue to accumulate on sealing surfaces.
3. Do not operate the microwave if damaged. It is particularly important that the microwave door be properly closed and there is no damage to the door (bent), hinges and latches (broken or loosened), or door seals and sealing surfaces.
4. The microwave should not be adjusted or repaired by anyone except properly qualified service personnel.

**SAVE THESE INSTRUCTIONS**

# INSTALLATION GUIDE

1. Make sure all packing materials are removed from inside the microwave door.
2. Check the microwave for damage, such as misaligned or bent door, damaged door seals and sealing surface, broken or loose door hinges and latches, and dents inside the cavity or on the door. If there are any damages, do not operate the microwave and contact Customer Service at 1-800-324-0340.
3. This microwave must be placed on a flat, stable surface to hold its weight and the heaviest food likely to be cooked inside.
4. Do not place the oven where heat, moisture, or high humidity is generated. Do not place microwave near combustible materials.
5. For correct operation, the oven must have sufficient air flow. Allow 8" of space above the microwave, 4" at the back, and 2" on each side of the unit.
6. Do not cover or block any openings on the microwave. Do not remove microwave feet. Do not operate the oven without the glass tray, roller support, and shaft in their proper positions. Make sure the power supply cord is undamaged and does not run under the microwave or over any hot or sharp surface.
7. The socket must be readily accessible so the microwave can be easily unplugged in an emergency.

## GROUNDING INSTRUCTIONS

This microwave must be grounded. In the event of an electrical short circuit, grounding reduces risk of electric shock by providing an escape wire for the electric current. Consult a qualified electrician or serviceman if the grounding instructions are not completely understood, or if doubt exists as to whether the appliance is properly grounded, and either: 1) If it is necessary to use an extension cord, use only a 3-wire extension cord that has a 3-blade grounded plug, and 3-slot receptacle that will accept the plug on the appliance. The marked rating of the extension cord shall be equal to or greater than the electrical rating of the appliance, or 2) Do not use an extension cord. If the power supply cord is too short, have a qualified electrician or serviceman install an outlet near the appliance. For questions regarding the grounding instructions, please contact our Customer Support Center at 1-800-324-0340.

**WARNING:** Improper use of the grounding plug can result in risk of electric shock.

## ELECTRICAL REQUIREMENTS

---

The electrical requirements for this microwave are a 120V, 60Hz, AC only, 20 amp.

It is recommended that a separate circuit serving only the microwave be provided.

The microwave is equipped with a 3-prong grounding plug. It must be plugged into a wall outlet properly installed and grounded.

## POWER CORD

---

- A short power supply cord is provided to reduce the risks resulting from becoming entangled in or tripping over a long cord.
- Longer cord sets or extension cords are available and may be used if care is taken in using them.
- If using a longer cord, the marked electrical rating of the cord set or extension cord should be at least as great as the electrical marking of the microwave itself and the extension cord must be a grounded-type 3-wire cord. The longer cord should be arranged so it will not drape over the counter or tabletop.

# GROUNDING INSTRUCTIONS (continued)

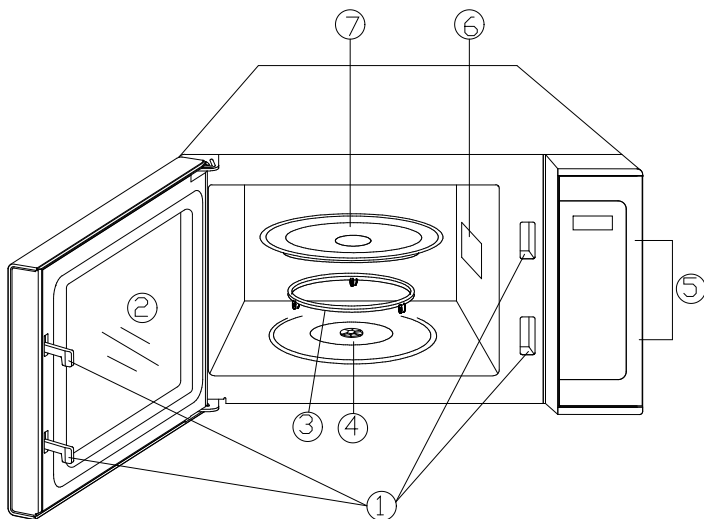
## RADIO OR TV INTERFERENCE

- Should there be any interference caused by the microwave oven to your radio or TV, check that the microwave oven is on a different circuit, relocate the radio or TV as far away from the oven as feasible, and check position and signal of receiving antenna.

# INSTALLING THE TURNTABLE

- Never place the glass tray upside down.
- The glass tray should never be restricted.
- Both the glass tray and turntable ring assembly must always be used during cooking.
- All food and containers of food should always be placed on the glass tray for cooking.
- If the glass tray or turntable ring assembly cracks or breaks, contact 1-800-324-0340.

# PRODUCT DIAGRAM



1. Door Lock System
2. Oven Window
3. Roller Ring
4. Shaft
5. Control Panel
6. Wave Guide (Do not remove)
7. Glass Tray

# CONTROL PANEL

## Sensor advantage



Sensor Cook | Power Level | Sensor Reheat

Melt | Soften | Warm

Auto Defrost | Time Defrost | Clock Timer



7   8   9

ECO   0   Time Cook



**STOP**  
Clear  
hold 3 Sec.



**START**  
+30 Sec.

- **DISPLAY**

Cooking time, power, indicators and present time are displayed.

- **SENSOR ADVANTAGE**

Allows you to reheat or cook food automatically without entering power level or time.

- **POWER LEVEL**

Use to set microwave cooking.

- **MELT**

There are 3 kinds of melt cook menus. Low power is used to melt foods.

- **SOFTEN**

There are 4 kinds of soften cook menus. Low power is used to soften foods.

- **WARM**

This feature is used to keep food warm.

- **AUTO DEFROST**

Programmed defrosting based on the weight of the foods to be defrosted.

- **TIME DEFROST**

Use to set speed defrost program.

- **CLOCK/TIMER**

Used to set the oven clock or set the timer.

- **NUMBER PADS(0-9)**

Use to enter cooking time or select power level.

- **ECO**

Use to turn on the displayer or turn off the displayer to save power.

- **TIME COOK**

Use to set microwave cooking, or set multi-stage cooking program.

- **STOP/CLEAR**

Use to cancel all settings or set child lock.

- **START/+30SEC.**

Touch to start a cooking program or use +30 Sec. to program the oven to microwave food at 100% power; or touch it to add 30 seconds during cooking program.

# OPERATION INSTRUCTIONS

- When the oven is first plugged in, beep will sound and the display will show“00:00”.
- During the setting mode, the system will return to waiting mode if there is not any operation within 25 seconds.
- During cooking, if touch STOP/CLEAR pad once or open the door, the program will be paused, then touch START/+30 Sec. pad to resume, but if touch STOP/CLEAR pad twice, the program will be canceled.
- After ending cooking, the system will sound beeps to remind user every two minute until user touch STOP/CLEAR pad or open the door.

## SETTING THE CLOCK

---

1. This is a 12 hour clock, in standby state, touch CLOCK /TIMER pad once,“Hr12”.
2. Use the number pads to enter clock time, for example, press 8, 3, 0, the display will show “8:30”.
3. Press CLOCK /TIMER pad to confirm. “:” will flash the clock time set to take effect and the oven will return to waiting mode.

### NOTE:

- During clock setting mode, press STOP/CLEAR to cancel the setting, the system will display previous time.

## SETTING THE TIMER

---

The longest time you can enter is 99minutes and 99 seconds. Suppose you want to time a 3 minute phone call.

1. TouchCLOCK/TIMERTwice.
2. Enter the correct time by touching the number pads. The maximum time is 99minutes and 99 seconds.
3. Touch START/+30 Sec.

### NOTE:

- During cooking press CLOCK/TIMER pad once, the timer time will display for 5 seconds, and then press STOP/CLEAR within 5 seconds to cancel the program.

## MICROWAVE COOKING

---

### A. One-stage Cooking

1. In standby state, touch TIME COOK pad once,“00:00” will display.
2. Use the number pads to enter cooking time. The longest time is 99 minutes and 99 seconds.
3. Touch POWER LEVEL pad once,the power level will beshown on the display. “PL10” is the default value.
4. Use number pad to select power level.

Use single digit to set a cooking power level:

Touch NumberPad	Display Code	Cooking Power		Touch NumberPad	Display Code	Cooking Power
1, 0	PL10	100%		5	PL-5	50%
9	PL-9	90%		4	PL-4	40%
8	PL-8	80%		3	PL-3	30%
7	PL-7	70%		2	PL-2	20%
6	PL-6	60%		1	PL-1	10%



# OPERATION INSTRUCTIONS (continued)

5. Touch START/+30 Sec. to confirm.

**NOTE:**

- During cooking, press POWER LEVEL pad once, the current power level can be displayed for 10 seconds, at this moment you can adjust the power level by touching number pads.

**B. Multi-stage Cooking**

First stage	Microwave cooking
Second stage	Microwave cooking

1. Set the first stage cooking program. DO NOT TOUCH START/+30 Sec.
2. Touch TIME COOK pad once.
3. Set the second stage cooking program.
4. Touch START/+30 Sec. pad.

**NOTE:**

- Sensor Cook, Auto Defrost, Time Defrost, Quick Start and Auto Menu cannot be set in multi-stage cooking program.

## TIME DEFROST

---

During defrosting program, the system will pause and sound beeps to remind user to turn food over, and then touch START/+30 Sec. pad to resume.

1. Touch TIME DEFROST pad.
2. Use the number pads to enter defrosting time. The longest time is 99minutes and 99 seconds.
3. Touch START/+30 Sec. pad.

## AUTO DEFROST

---

The defrosting time and power level are adjusted automatically once the weight is programmed.

1. In standby state, touch AUTO DEFROST pad.
2. Touch AUTO DEFROST pad repeatedly to select food type.(DEF1-Meat; dEF2-Poultry; dEF3-Fish)
3. Touch number pad to select food weight.
4. Touch START/+30 Sec. pad to start.

**Weight defrost code description:**

Food Type	Touch AUTO DEFROST Pad	Min. Weight	Max. Weight
Meat	Once	1 oz.	80 oz.
Poultry	Twice	1 oz.	80 oz.
Fish	Three times	1 oz.	80 oz.

**NOTE:**

- During defrosting program, the system will pause and sound beeps to remind user to turn food over, and then touch START/+30 Sec. pad to resume.

# OPERATION INSTRUCTIONS (continued)

## MELT

The cooking time and power level are adjusted automatically once the weight is programmed.

1. Touch MELT pad repeatedly to select food type.
2. Touch number pad to select food weight.
3. Touch START/+30 Sec. pad to start.

### Melt Cook Code/Menu:

Food Type	Touch MELT Pad	Enter Number Pad	Weight
Butter	Once	1	4 oz.
		2	8 oz.
		3	12 oz.
Chocolate	Twice	1	4 oz.
		2	8 oz.
Cheese	Three times	1	8 oz.
		2	16 oz.

NOTE: The result of melt cook depends on factors such as voltage fluctuation, the shape and size of food, your personal preference as to the doneness of certain foods and even how well you happen to place food in the oven. If you find the result at any rate not quite satisfactory, please adjust the cooking time a little bit accordingly.

## SOFTEN

For food or the following cooking mode, it is not necessary to program the duration and the cooking power. It is sufficient to indicate the type of food that you wish to cook as well as the weight of this food.

1. In standby state, touch SOFTEN pad repeatedly to select menu type.
2. Touch number pad to select food weight.
3. Touch START/+30 Sec. pad to start.

### Soften Cook Code/Menu:

Food Type	Touch SOFTEN Pad	Enter Number Pad	Weight
Butter	Once	1	4 oz.
		2	8 oz.
		3	12 oz.
Ice Cream	Twice	1	4 oz.
		2	8 oz.
Cream Cheese	Three times	1	4oz.
		2	8oz.
Brown Sugar	Four times	1	4 oz.
		2	8 oz.

# OPERATION INSTRUCTIONS (continued)

## NOTE:

- The result of soft cook depends on factors such as voltage fluctuation, the shape and size of food, your personal preference as to the doneness of certain foods and even how well you happen to place food in the oven. If you find the result at any rate not quite satisfactory, please adjust the cooking time a little bit accordingly.

## WARM

---

1. Press WARM pad once.
2. Press number pad to enter cooking time, the longest cooking time is 99 minutes and 99 seconds.
3. Press START/+30 Sec. to confirm.

## ECO

---

To save power in default mode, press ECO pad. The system will enter power save mode and nothing will show on the display. Press any pad or open the door to reset the system. If the oven is not operated for 60seconds, the system will return to power save mode.

To cancel power save mode, press and hold ECO pad for 2 seconds.

## EXPRESS COOK

---

In standby mode, press the number pad (from 1 to 6) to enter cooking time (between 1 minute and 6 minutes), and the oven will start automatically at 100% high power level.

## +30 SECONDS

---

In standby mode, press START/+30 Sec. pad repeatedly to enter cooking time, the longest time is 99minutes and 99 seconds, and the oven will start automatically at 100% high power level. During cooking (except Auto Menu, Sensor Menu, Auto Defrost and Time Defrost),the cooking time can be added by pressing START/+30 Sec. pad.

## SETTING CHILD LOCK

---

The lock prevents unsupervised operation by children.

To set the child lock: In standby mode, touch STOP/CLEAR pad for 3 seconds. In the lock state, the oven can't be operated.

To cancel the child lock: Touch STOP/CLEAR pad for 3 seconds, and the oven can be operated.

# QUICK COOK SETTINGS

## BEVERAGE

---

In waiting mode, press BEVERAGE pad repeatedly to choose 1, 2 or 3 cups, and then the oven will start cooking automatically.

## POPCORN

---

Place a 3.2 oz package of popcorn in oven and close door. Press POPCORN pad and cooking starts immediately. Oven beeps when cooking is finished.

# ABOUT THE SENSOR FEATURES

## HUMIDITY SENSOR

---

The sensor features detect the increasing humidity released during cooking. The oven automatically adjusts the cooking time to various types and amounts of food. To ensure the best results with sensor cook, follow below recommendations:

- Ensure the glass tray, the outside of the cooking containers and the inside of the microwave oven are dry before placing food in the oven. Residual beads of moisture turning into steam can mislead the sensor.
- Cover food with lid, or with vented plastic wrap. Never use tightly sealed plastic containers. They can prevent steam from escaping and cause food to overcook.
- During cooking process, do not open the oven door. Doing so will cause inaccurate cooking since the steam from food is no longer contained within the oven cavity.
- All foods should have a rest time.
- Do not use the sensor feature twice in succession on the same food portion, this could result in severely overcooked food. If food is undercooked after the countdown, use time cooking for additional cooking time.

### NOTES:

- Cooking run a period of time, error may occur to the system sensor or else, in this case, the system will stop automatically with the display showing "E-5", two beeps sound every 2 seconds until STOP/CLEAR is pressed.
- When steam is sensed, corresponding cooking time appears on display and begins counting down.
- During sensor cooking program, press STOP/CLEAR pad or open the door, the program will be canceled and the oven will return to waiting mode.
- During the longest sensor time, if the oven cannot test the cooking time according to the steam which produced by food in the oven, the system will return to waiting mode.

# SENSOR COOK SETTINGS

## SENSOR MENU

---

CAUTION: DO NOT consume foods immediately after the oven finishes cooking. Heated foods, especially pizza, may burn your mouth. Allow foods to cool to a safe eating temperature.

<b>Quick Cook Setting Menu (Sensor)</b>	<b>Sensor Reheat</b>	<b>Sensor Cook</b>
Potato	Soup/Sauce	Fresh Vegetable
Pizza	Dinner Plate	Ground Meat
Frozen entrée	Casserole	Fish/Seafood
Frozen vegetable	Frozen Pizza	Rice

1. Place the food in the oven and close the door. Press the appropriate Sensor Menu item pad, and the oven will start immediately.
2. For Sensor Reheat or Sensor Cook function, press the corresponding pad repeatedly to select the menu code. The sensor cooking process starts immediately. When the released steam is detected by the oven, the remaining cooking time will appear in the display. The oven beeps 4 times when cooking is finished and END will display.

Example: Potato Sensor Pad

Press POTATO pad once, "SENS" will appear in the display. The cooking starts.

NOTE: Puncture the surface of each potato several times with the tines of a fork.

## SENSOR REHEAT

---

In waiting mode, press SENSOR REHEAT pad to select food type, wait a moment, the display will show "SENS", and the oven will start to cook.

<b>Touch SENSOR REHEAT Pad</b>	<b>Display Code</b>	<b>Food Types</b>
Once	Sr-1	Soup/Sauce
Twice	Sr-2	Dinner Plate
Three times	Sr-3	Casserole
Four times	Sr-4	Frozen Pizza

# SENSOR COOK SETTINGS(continued)

## SENSOR COOK

---

In waiting mode, press SENSOR COOK pad to select food type, wait a moment, the display will show "SENS", and the oven will start to cook.

<b>Touch SENSOR COOK Pad</b>	<b>Display Code</b>	<b>Food Types</b>
Once	SC-1	Fresh Vegetable
Twice	SC-2	Ground Meat
Three times	SC-3	Fish/Seafood
Four times	SC-4	Rice

# COOKING UTENSILS GUIDE

This section lists which utensils can be used in the microwave, which ones have limited use for short periods, and which ones should not be used in the microwave.

## RECOMMENDED

---

**Microwave browning dish** — Use to brown the exterior of small items such as steaks, chops, or pancakes. Follow the directions provided with your browning dish.

**Microwaveable plastic wrap** — Use to retain steam. Leave a small opening for some steam to escape and avoid placing it directly on the food.

**Paper towels and napkins** — Use for short-term heating and covering; these absorb excess moisture and prevent spattering. Do not use recycled paper towels, which may contain metal and could ignite.

**Glass and glass-ceramic bowls and dishes** — Use for heating or cooking.

**Paper plates and cups** — Use for short-term heating at low temperatures. Do not use recycled paper, which may contain metal and could ignite.

**Wax paper** — Use as a cover to prevent spattering.

**Thermometers** — Use only those labeled “Microwave Safe” and follow all directions. Check the food in several places. Conventional thermometers may be used on microwave food once the food has been removed from the oven.

## LIMITED USE

---

**Aluminum foil** — Use narrow strips of foil to prevent overcooking of exposed areas. Using too much foil can damage your oven, so be careful. You should keep distance of 1 inch (2.54cm) between aluminum foil and cavity.

**Ceramic, porcelain, and stoneware** — Use these if they are labeled “Microwave Safe”. If they are not labeled, test them to make sure they can be used safely.

**Plastic** — Use only if labeled “Microwave Safe”. Other plastics can melt.

## NOT RECOMMENDED

---

**Glass jars and bottles** — Regular glass is too thin to be used in a microwave. It can shatter and cause damage and injury.

**Paper bags** — These are a fire hazard, except for popcorn bags that are designed for microwave use.

**Styrofoam plates and cups** — These can melt and leave an unhealthy residue on food.

**Plastic storage and food containers** — Containers such as margarine tubs can melt in the microwave.

**Metal utensils** — These can damage your oven. Remove all metal before cooking.

NOTE: Should you wish to check if a dish is safe for microwaving, place the empty dish in the oven and microwave on HIGH for 30 seconds. A dish which becomes very hot should not be used.

# CLEANING AND CARE

1. Turn off the microwave and unplug the power cord from the wall when cleaning.
2. Keep the inside of the microwave clean. When food splatters or spilled liquids adhere to microwave walls, wipe with a damp cloth. Mild detergents may be used if the microwave gets very dirty. Avoid using spray or other harsh cleaners. They may stain, streak, or dull the door surface.
3. The outside of the microwave should be cleaned with a damp cloth. To prevent damage to the operating parts inside the microwave, water should not be allowed to seep into the ventilation openings.
4. Wipe the window on both sides with a damp cloth to remove any spills or splatters.
5. Do not allow the control panel to become wet. Clean with a soft, damp cloth. When cleaning the panel, leave the microwave door open to prevent it from accidentally turning on.
6. If steam accumulates inside or around the outside of the door, wipe with a soft cloth. This may occur when the microwave is operated under high humidity. This is normal.
7. It may be necessary to remove the glass tray for cleaning. Wash the tray in warm, soapy water or in a dishwasher. The roller ring and microwave floor should be cleaned regularly to avoid excessive noise. Wipe the bottom surface of the microwave with a mild detergent.
8. The roller ring may be washed in mild, soapy water or in a dishwasher. When removing the roller ring, be sure to replace it in the proper position.
9. Remove odors from your microwave by combining a cup of water with the juice and skin of one lemon in a microwaveable bowl. Microwave for 5 minutes. Wipe thoroughly and dry with a soft cloth.
10. If the light bulb burns out, please contact customer service to have it replaced.
11. The microwave should be cleaned regularly and any food deposits should be removed. Failure to maintain the microwave in a clean condition could lead to deterioration of surfaces that could adversely affect the life of the unit and could possibly result in a hazardous situation.
12. Please do not dispose of this appliance into a regular garbage receptacle. Please check to see where you can dispose such appliances.

# SPECIFICATIONS

Power Consumption	120V, 60Hz, 1600W
Output	1100W
Operation Frequency	2450MHz
Outside Dimensions (HxWxD)	12 1/4x21 3/4x19 1/16 inches
Oven Cavity Dimensions (HxWxD)	9 13/16x14 13/16x15 7/8 inches
Oven Capacity	1.4cu.ft.
Cooking Uniformity	Turntable System
Net Weight	Approx. 39.6lbs.





© 2018 Sunbeam Products, Inc. doing business as Jarden Consumer Solutions. All rights reserved.

Oster® logo is a registered trademark of Sunbeam Products, Inc. used under license.

Distributed by Guangdong Galanz Microwave Electrical Appliances Manufacturing Co., Ltd.,  
Huangpu, Zhongshan, Guangdong, 528429, China.

For service, support and warranty information, call 1-800-324-0340.