

INSTALLATION INSTRUCTIONS



LED IMPORTANT SAFETY INSTRUCTIONS

READ AND FOLLOW ALL SAFETY INSTRUCTIONS! SAVE THESE INSTRUCTIONS AND DELIVER TO OWNER AFTER INSTALLATION

- To reduce the risk of death, personal injury or property damage from fire, electric shock, falling parts, cuts/abrasions, and other hazards please read all warnings and instructions included with and on the fixture box and all fixture labels.
- Before installing, servicing, or performing routine maintenance upon this equipment, follow these general precautions.
- Installation and service of luminaires should be performed by a **qualified licensed electrician**.
- Maintenance of the luminaires should be performed by person(s) familiar with the luminaires' construction and operation and any hazards involved. Regular fixture maintenance programs are recommended.
- It will occasionally be necessary to clean the outside of the refractor/lens. Frequency of cleaning will depend on ambient dirt level and minimum light output which is acceptable to user. Refractor/lens should be washed in a solution of warm water and any mild, non-abrasive household detergent, rinsed with clean water and wiped dry. Should optical assembly become dirty on the inside, wipe refractor/lens and clean in above manner, replacing damaged gaskets as necessary.
- **DO NOT INSTALL DAMAGED PRODUCT!** This luminaire has been properly packed so that no parts should have been damaged during transit. Inspect to confirm. Any part damaged or broken during or after assembly should be replaced.
- Recycle: For information on how to recycle LED electronic products, please visit www.epa.gov.
- These instructions do not purport to cover all details or variations in equipment nor to provide every possible contingency to meet in connection with installation, operation, or maintenance. Should further information be desired or should particular problems arise which are not covered sufficiently for the purchaser's or owner's purposes, this matter should be referred to Acuity Brands Lighting, Inc.



WARNING RISK OF ELECTRIC SHOCK

- Disconnect or turn off power before installation or servicing.
- Verify that supply voltage is correct by comparing it with the luminaire label information.
- Make all electrical and grounded connections in accordance with the National Electrical Code (NEC) and any applicable local code requirements.
- All wiring connections should be capped with UL approved recognized wire connectors.



CAUTION RISK OF INJURY

- Wear gloves and safety glasses at all times when removing luminaire from carton, installing, servicing or performing maintenance.
- Avoid direct eye exposure to the light source while it is on.



WARNING RISK OF BURN

- Allow lamp/fixture to cool before handling. Do not touch enclosure or light source.
- Do not exceed maximum wattage marked on luminaire label.
- Follow all manufacturer's warnings, recommendations and restrictions for: driver type, burning position, mounting locations/methods, replacement and recycling.



CAUTION RISK OF FIRE

- Keep combustible and other materials that can burn, away from lamp/lens.
- Do not operate in close proximity to persons, combustible materials or substances affected by heat or drying.



CAUTION: RISK OF PRODUCT DAMAGE

- Never connect components under load.
- Do not mount or support these fixtures in a manner that can cut the outer jacket or damage wire insulation.
- Never connect an LED product to an unapproved dimmer pack. Contact ABL directly for any dimmers not specifically recommended for the product.
- Unless individual product specifications deem otherwise: Allow for some volume of airspace around fixture. Avoid covering LED fixtures with insulation, foam, or other material that will prevent convection or conduction cooling.
- Unless individual product specifications deem otherwise: Maximum ambient temperature is 90°C. Do not operate fixture at temperatures higher than this.
- Unless individual product specifications deem otherwise: Never mount in places where fixture will be exposed to rain, high humidity, extreme temperature changes or restricted ventilation.
- LED products are Polarity Sensitive. Ensure proper Polarity before installation.
- Electrostatic Discharge (ESD): ESD can damage LED fixtures. Personal grounding equipment must be worn during all installation or servicing of the unit.
- Do not touch individual electrical components as this can cause ESD, shorten lamp life, or alter performance.
- There are no user serviceable parts inside the unit. Do not rewire, reconfigure, or modify the unit or attempt any repairs yourself. Additionally, field replacement of the LED assembly or lamps is not allowed by UL standards at this time. In the unlikely event your unit may require service, stop using the unit immediately and contact an ABL representative.

All luminaires that contain electronic devices that generate frequencies above 9kHz from any component within the luminaire comply with one of the following Part 15 of the FCC Rules. Operation is subject to the following two conditions:

- (1) This device may not cause harmful interference
- (2) This device must accept any interference received, including interference that may cause undesired operation.

This device complies with Part 18 of the FCC Rules but may cause interference with cordless and cell phones, radios, televisions, and other electronic devices. To correct the problem move the device away from the luminaire or plug into a different outlet. This product may cause interference to radio equipment and should not be installed near maritime safety communications equipment or other critical navigation or communications equipment operating between 0.45-30MHz.

Failure to follow any of these instructions could void product warranties. For a complete listing of product Terms and Conditions, please visit www.acuitybrands.com.

OUR BRANDS

Indoor/Outdoor: Lithonia Lighting, Carandini, Holophane, RELOC

Indoor Lighting: Gotham, Mark Architectural Lighting, Peerless, Renaissance Lighting, Winona Lighting

Outdoor Lighting: American Electric Lighting, Antique Street Lamps, Hydrel, Tersen

Controls: DARK TO LIGHT, Lighting Control & Design, ROAM, Sensor Switch, Synergy

Acuity Brands Lighting, Inc. assumes no responsibility for claims arising out of improper or careless installation or handling of its products.

ABL LED General Warnings, Form No. 503.203
© 2010 Acuity Brands Lighting, Inc. All rights reserved. 12/01/10

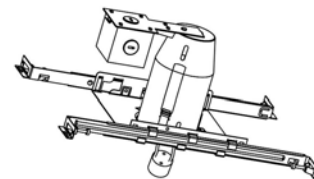


INSTALLATION INSTRUCTIONS

LK3, LK4, LK5 SERIES REMODEL FIXTURE, AND LKA3, LKA4, LKA5 NEW CONSTRUCTION ADAPTER LKABH HANGER BARS 120V ONLY



LK3
LK4, LK5



LKA3
LKA4, LKA5

*SPECIFICATIONS

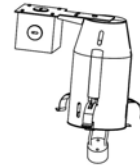
CICODE	MODEL #	BULB	BEAM SPREAD	IC/Non-IC	SUITABLE LOCATIONS
199U0L	LK3GMW	MR16 (GU10) 120V 50W	30°	Non-IC	DAMP LOCATIONS
215M87	LK3GMW LED LPI	MR16 (GU10) 120V 4W LED Lamp	30°	Non-IC	DAMP LOCATIONS
199U0M	LK3GBN	MR16 (GU10) 120V 50W	30°	Non-IC	DAMP LOCATIONS
199U0N	LK3GORB	MR16 (GU10) 120V 50W	30°	Non-IC	DAMP LOCATIONS
199U0P	LK3CBN	MR16 (GU10) 120V 50W	30°	Non-IC	DAMP LOCATIONS
199U0R	LK3BMW	MR16 (GU10) 120V 50W	30°	Non-IC	DAMP LOCATIONS
199U0T	LK3BBN	MR16 (GU10) 120V 50W	30°	Non-IC	DAMP LOCATIONS
199U0U	LK3OAZ PFMW	MR16 (GU10) 120V 50W	30°	Non-IC	DAMP LOCATIONS
199U0V	LK3PSMW	MR16 (GU10) 120V 50W	30°	Non-IC	DAMP LOCATIONS
199U0W	LK4GMW	MR16 (GU10) 120V 50W	32°	Non-IC	DAMP LOCATIONS
199U0X	LK4GBN	MR16 (GU10) 120V 50W	32°	Non-IC	DAMP LOCATIONS
199U0Y	LK4BBN	MR16 (GU10) 120V 50W	32°	Non-IC	DAMP LOCATIONS
199U10	LK4BMW	MR16 (GU10) 120V 50W	32°	Non-IC	DAMP LOCATIONS
199U13	LK4EMW	MR16 (GU10) 120V 50W	28°	Non-IC	DAMP LOCATIONS
199NEG	LK4EBN	MR16 (GU10) 120V 50W	28°	Non-IC	DAMP LOCATIONS
199NEH	LK4OAZ PFMW	MR16 (GU10) 120V 50W	34°	Non-IC	DAMP LOCATIONS
199NEJ	LK4LMW	MR16 (GU10) 120V 50W	36°	Non-IC	WET LOCATIONS
199NEK	LK4LBN	MR16 (GU10) 120V 50W	36°	Non-IC	WET LOCATIONS
199VPF	LK4SQMW	MR16 (GU10) 120V 50W	30°	Non-IC	DAMP LOCATIONS
201K2E	LK5MW	PAR30 120V 75W	20°	Non-IC	DAMP LOCATIONS
201K2F	LK5BMW	PAR30 120V 75W	20°	Non-IC	DAMP LOCATIONS
205N23	LK5LMW	PAR30 120V 50W	30°	Non-IC	WET LOCATIONS
210NN3	LK5OAZ TRMW	PAR30 120V 75W	20°	Non-IC	DAMP LOCATIONS

Notes –

- All MR16 GU10 and PAR30 lamps used in kits are halogen type, except for LK3GMW LED LPI, which uses a 4W LED Lamp.
- Compatible with standard incandescent dimmers.

INSTALLATION INSTRUCTIONS

LK3, LK4, LK5 SERIES REMODEL FIXTURE, 120V ONLY



LK3
LK4, LK5

SAVE THESE INSTRUCTIONS

Prior to installing the fixture, disconnect ALL power supplies to the unit. This unit may be installed in a TYPE NON-IC installation only. No insulation may be placed over the top of/or within 3" (76mm) of the fixture.

REMODEL FIXTURE INSTALLATION

- NOTE: when deciding on fixture placement and preparing to cut hole, take into account joist placement and electrical wiring requirements. Your ceiling material must be non-combustible and strong enough to support fixture.
- Maximum ceiling thickness for remodel applications
 - LK3= 5/8" max gypsum; 3/4" max drop ceiling tile
 - LK4= 1" max gypsum and drop ceiling tile
 - LK5= 1" max gypsum and drop ceiling tile
- Using the template that is provided, or fixture housing itself outline the circle pattern on the ceiling to cut between the ceiling joists, as required by lighting layout.
 - LK3= 3 1/8 inch diameter cutout.
 - LK4= 4 1/8 inch diameter cutout.
 - LK5= 5 1/2 inch diameter cutout.
- Using the proper hole-saw and tools, cut out the circle pattern in the ceiling.
- Disconnect all power prior to installation. Remove the appropriate pry-out knockout with screw driver. Open snap on cover on junction box by depressing spring and allow cover to hang. Using the provided wire connectors, make all connections inside the Junction box. Bring supply wires into box by shielded cable or Romex cable and connectors (Purchased separately). Connect the 120V HOT wire black to black; NEUTRAL wire white to white; GROUND bare wire to ground, push wires carefully back into junction box. Close snap on cover in place. (Figure 1)
- Tilt fixture junction box up through hole and hold up against ceiling and push retaining clips with screwdriver until they securely snap in place. Check installation that fixture is secure and clips are snapped in place. (Figure 2 & Figure 3)

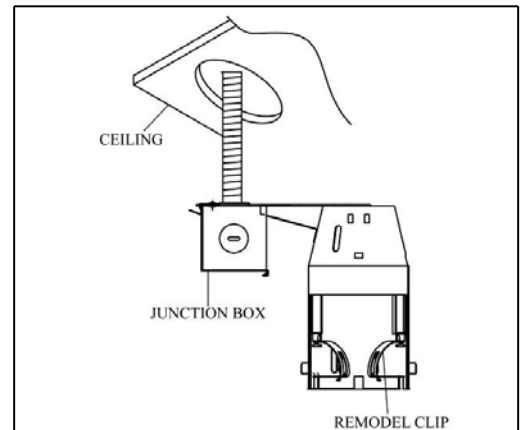


Figure 1

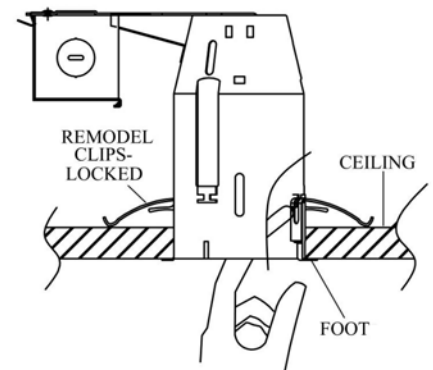


Figure 2

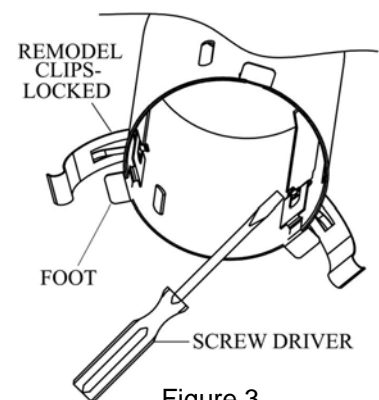
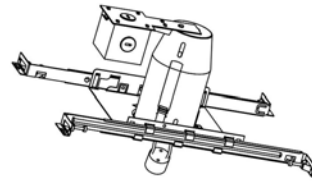


Figure 3

INSTALLATION INSTRUCTIONS

LKA3, LKA4, LKA5 NEW CONSTRUCTION ADAPTER LKABH HANGER BARS 120V ONLY



LKA3
LKA4, LKA5

NEW CONSTRUCTION ADAPTER INSTALLATION

1. NOTE: when deciding on fixture placement take into account joist placement and electrical wiring requirements. Your ceiling material must be non-combustible.

2. Install NEW CONSTRUCTION ADAPTER(purchased separately) by positioning the LKABH BAR HANGERS (purchased separately) between the ceiling joists and nailing in the attached nails to secure in place. (Figure 4 & 5)

3. Disconnect all power prior to installation. Pull supply wire through ADAPTER hole. Remove the appropriate pry-out knockout with screw driver. Open snap on cover on junction box by depressing spring and allow cover to hang.

Using the provided wire connectors, make all connections inside the Junction box.

Bring supply wires into box by shielded cable or Romex cable and connectors (Purchased separately)

Connect the 120V HOT wire black to black; NEUTRAL wire white to white; GROUND bare wire to ground, push wires carefully back into junction box. Close snap on cover in place.

4. REMOVE the (3) SPRING CLIPS from the REMODEL FIXTURE and discard.

5. Tilt Fixture junction box up through hole and position adapter spring clips with alignment grooves and rectangular openings on REMODEL CAN HOUSING. Push up for spring clips to securely snap in and lock in place. (Figure 6)

6. After electrical inspection is approved, complete ceiling installation, with the following cut out openings to

- LKA3= 3 1/4 inch diameter cutout.
- LKA4= 4 1/4 inch diameter cutout.
- LKA5= 5 5/8 inch diameter cutout.

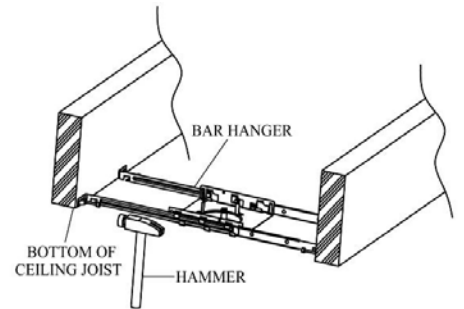


Figure 4

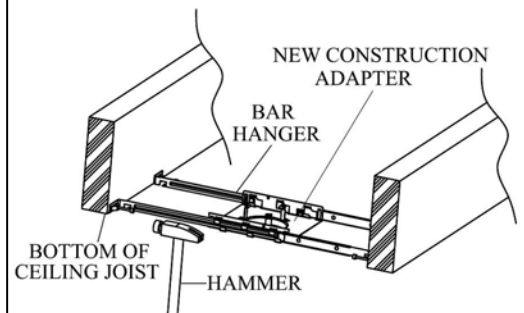


Figure 5

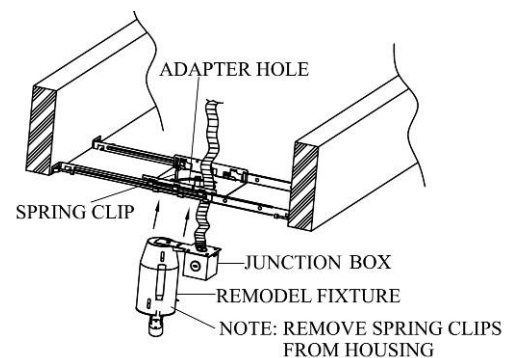
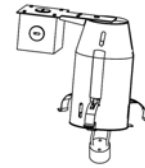
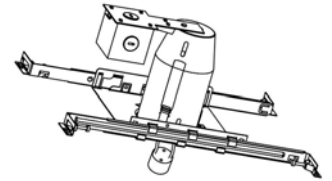


Figure 6

INSTALLATION INSTRUCTIONS LK3, LK4, LK5 SERIES REMODEL FIXTURE, AND LKA3, LKA4, LKA5 NEW CONSTRUCTION ADAPTER LKABH HANGER BARS 120V ONLY



LK3
LK4, LK5



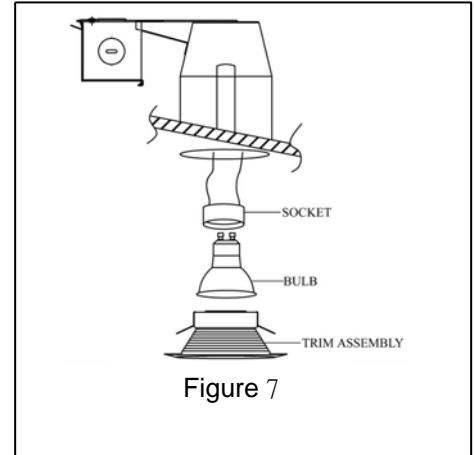
LKA3
LKA4, LKA5

TRIM FOR MODELS LK3 LK4 LK5 INSTALLATION with GU10 50W 120VAC LAMP

1. Disconnect all power prior to installation. Remove protective cover from socket.
2. With the Lamp installed in the trim, connect LAMP by twisting clockwise on to FIXTURE SOCKET.
3. Gently push up TRIM into fixture opening until flush with ceiling. Check that the installation is secure. (Figure7)

REPLACEMENT OF GU10 50W 120VAC LAMP

1. Disconnect all power prior to installation.
2. Remove trim from housing by pulling down from ceiling.
3. Disconnect LAMP by twisting counter-clockwise on to FIXTURE SOCKET. Connect new LAMP by twisting clockwise on to FIXTURE SOCKET.
4. Gently push up TRIM into fixture opening until flush with ceiling. Check that the installation is secure. (Figure7)



TRIM FOR MODELS LK5 INSTALLATION

1. Disconnect all power prior to installation. Remove protective cover from socket.
2. Snap the fixture socket into the REFLECTOR TRIM.
3. Squeeze the torsion springs together and position and place on to brackets in fixture. Release springs and gently pushes up TRIM into fixture opening until flush with ceiling. Screw in Lamp and check that the installation is secure.

REPLACEMENT OF PAR30 50W/75W 120VAC LAMP

1. Disconnect all power prior to installation.
2. Disconnect LAMP by twisting counter-clockwise on to FIXTURE SOCKET. Connect new LAMP by twisting clockwise on to FIXTURE SOCKET.

INSTALLATION INSTRUCTIONS LUMINAIRE DE REMODELAGE SERIES LK3, LK4,LK5 120V UNIQUEMENT



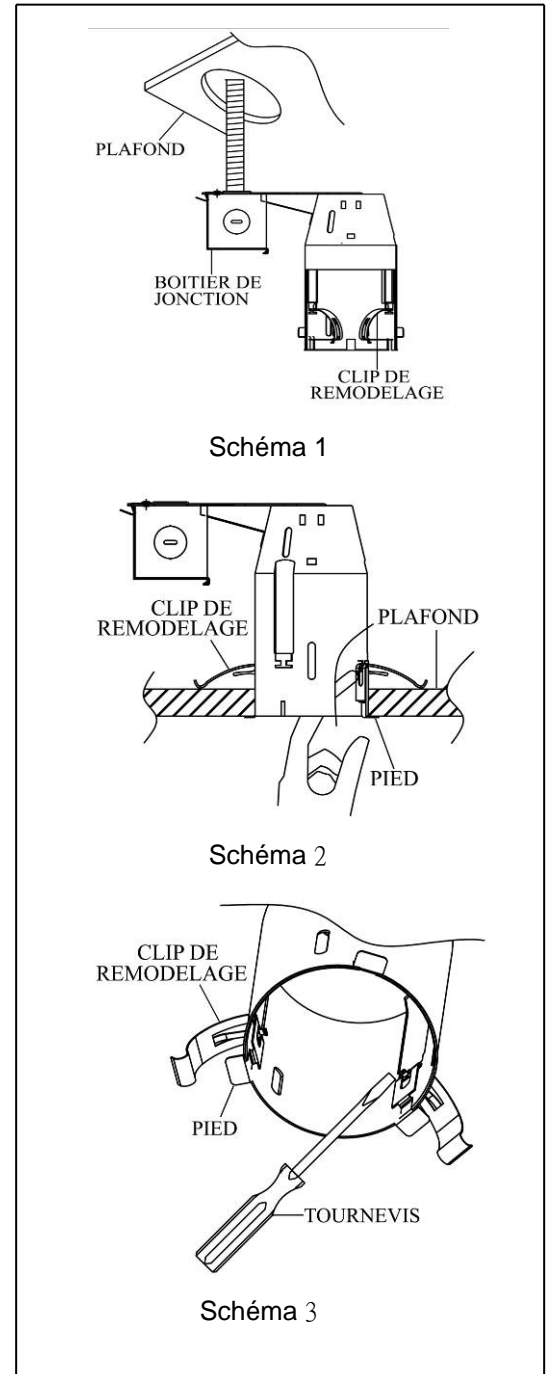
LK3
LK4,LK5

CONSERVER CES INSTRUCTIONS

Avant de mettre en place le luminaire, débrancher **COMPLETEMENT** l'alimentation électrique de l'unité. Cette unité ne peut être installée que dans une **installation de TYPE NON-IC**. Ne pas placer de matériau isolant au dessus du luminaire ou à moins de 3 po (76 mm) de distance autour du luminaire.

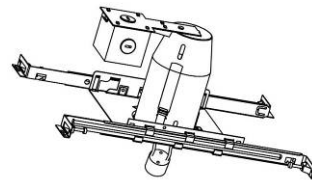
INSTALLATION LUMINAIRE POUR PLAFOND EXISTANT

1. NOTE: avant de décider de l'emplacement du luminaire et de découper le trou correspondant sur le plafond, veuillez prendre en compte l'emplacement des solives et les exigences du câblage électrique. Le matériau du plafond doit être non combustible et suffisamment résistant pour soutenir le poids du luminaire.
2. Epaisseur maximale de plafond pour des encastrages
 - LK3= 5/8" max pour du plâtre; 3/4" max pour un faux plafond
 - LK4= 1" max pour du plâtre et pour un faux plafond.
 - LK5= 1" max pour du plâtre et pour un faux plafond.
3. Utilisez une scie et des outils appropriés pour découper un cercle dans le plafond.
4. Coupez le courant au niveau du fusible correspondant ou du disjoncteur principal avant de commencer l'installation. Retirer la débouchure appropriée avec un tournevis. Ouvrir l'attache sur le Couvercle de la boîte de jonction en appuyant sur le ressort et en laissant pendre le couvercle.
Etablir toutes les connexions dans la boîte de jonction en utilisant les raccords de fils électriques fournis. Amener les fils d'alimentation électrique dans la boîte en utilisant un câble blindé ou Romex et des raccords (achetés séparément).
Connecter séparément les fils noirs **SOUS TENSION** de 120V, les fils blancs **NEUTRE** et les fils de **TERRE** nus, replacer soigneusement les fils dans la boîte de jonction. Remettre en place l'attache sur le couvercle. (Schéma 1)
5. Remonter la boîte de jonction du luminaire par le trou, le maintenir contre le plafond et pousser les clips de retenue avec le tournevis jusqu'à ce qu'ils se verrouillent en place. S'assurer de la bonne assise du luminaire et que les clips sont verrouillés en place. (Schéma 2 & Schéma 3)



* Une installation de TYPE NON-IC s'applique à un luminaire placé dans un renforcement avec une absence de contact entre le luminaire et les matériaux isolants, là où aucun matériaux isolant n'est placé au dessus/ou à moins de 76mm (3") du luminaire.

INSTALLATION INSTRUCTIONS ADAPTATEUR LKA3, LKA4, LKA5 POUR NOUVELLE CONSTRUCTION AVEC BARRES DE SUSPENSION LKABH 120V UNIQUEMENT



LKA3
LKA4, LKA5

INSTALLATION AVEC ADAPTATEUR POUR NOUVELLE CONSTRUCTION

1. NOTE: avant de décider de l'emplacement du luminaire, veuillez prendre en compte l'emplacement des solives et les exigences du câblage électrique. Le matériau du plafond doit être non combustible.
2. Installer L'ADAPTATEUR POUR NOUVELLE CONSTRUCTION (acheté séparément) en positionnant les BARRES DE SUSPENSION LKABH (achetées séparément) entre les solives du plafond et en enfonçant les clous fournis pour les maintenir en place. (Schéma 4 & 5)
3. Couper le courant avant de commencer l'installation. Amener les fils d'alimentation électriques par le trou de l'ADAPTATEUR. Retirer la débouchure appropriée avec un tournevis. Ouvrir l'attache sur le Couvercle de la Boîte de Jonction en appuyant sur le ressort et en laissant pendre le couvercle.
Etablir toutes les connexions dans la Boîte de Jonction en utilisant les raccords de fils électriques fournis. Amener les fils d'alimentation électrique dans la boîte en utilisant un câble blindé ou Romex et des raccords (achetés séparément).
Connecter séparément les fils noirs SOUS TENSION de 120V, les fils blancs NEUTRE et les fils de TERRE nus, replacer soigneusement les fils dans la boîte de jonction. Remettre en place l'attache sur le couvercle.
4. ENLEVER LES (3) CLIPS A RESSORT du LUMINAIRE DE REMODELAGE et les jeter.
5. Incliner puis remonter la boîte de jonction du Luminaire par le trou et positionner les clips à ressort de l'adaptateur d'après les rainures d'alignement et les ouvertures rectangulaires sur le BOITIER DE REMODELAGE. Poussez vers le haut pour que les clips se verrouillent en place. (Schéma 6)
6. Une fois l'inspection électrique approuvée, achevez l'installation au plafond en respectant les diamètres de découpe suivants
 - LKA3= découpe de diamètre de 3 1/4 pouces (83 mm).
 - LKA4= découpe de diamètre de 4 1/4 pouces (108 mm).
 - LKA5= découpe de diamètre de 5 5/8 pouces (142 mm).

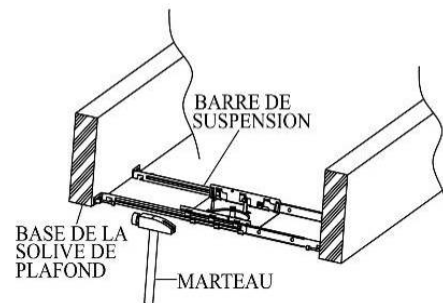


Schéma 4

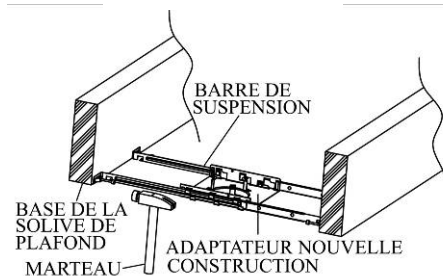


Schéma 5

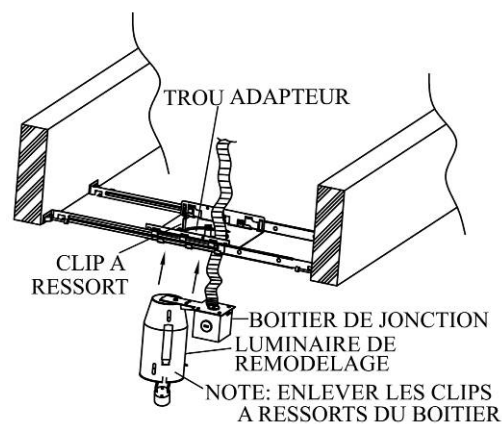


Schéma 6

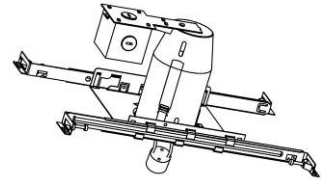
INSTALLATION INSTRUCTIONS

LUMINAIRE DE REMODELAGE SERIES LK3, LK4, LK5 ET ADAPTATEUR LKA3, LKA4, LKA5 POUR NOUVELLE CONSTRUCTION AVEC BARRES DE SUSPENSION LKABH 120V UNIQUEMENT



LK3

LK4,LK5



LKA3

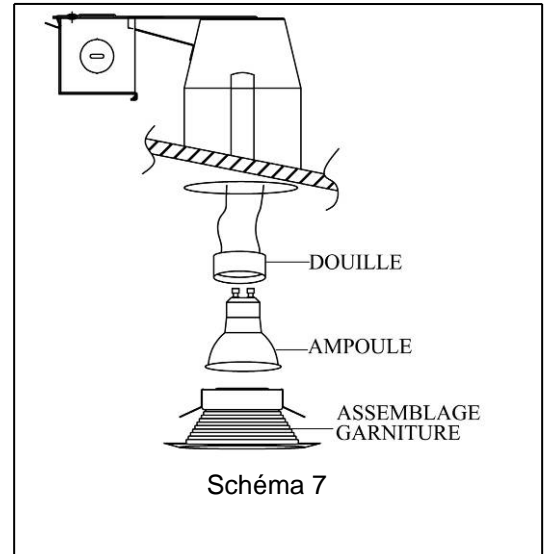
LKA4,LKA5

GARNITURE POUR INSTALLATION AVEC LES MODELES LK3 LK4 LK5 avec LAMPE GU10 50W 120VCA

1. Coupez le courant au niveau du fusible correspondant ou du disjoncteur principal avant de commencer l'installation. Enlever le cache protecteur de la douille.
2. Une fois la Lampe installée dans la garniture, connecter la LAMPE en la tournant dans le sens horaire sur la DOUILLE DU LUMINAIRE.
3. Poussez doucement la GARNITURE vers le haut dans l'ouverture du luminaire jusqu'à être au même niveau que le plafond. Vérifiez la sûreté de l'installation. (Schéma 7)

REEMPLACER L'AMPOULE GU10 50W 120VAC

1. Débrancher l'alimentation électrique avant l'installation.
2. Retirer l'ornement du boîtier en le tirant du plafond vers le bas.
3. Retirer l'AMPOULE en la tournant dans le sens anti horaire sur la DOUILLE DU LUMINAIRE. Brancher la nouvelle AMPOULE en la tournant dans le sens horaire sur la DOUILLE DU LUMINAIRE.
4. Replacer doucement l'ORNEMENT dans l'ouverture du luminaire jusqu'à le placer au ras du plafond. Vérifier le bon maintien de l'installation. (Schéma 7)



GARNITURE POUR INSTALLATION AVEC LES MODELE LK5

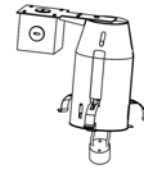
1. Coupez le courant au niveau du fusible correspondant ou du disjoncteur principal avant de commencer l'installation. Enlever le cache protecteur de la douille.
2. Enclenchez la douille du luminaire dans la GARNITURE DU REFLECTEUR.
3. Pressez les ressorts de torsion ensemble et placez-les sur les brides du luminaire. Relâchez les ressorts et poussez doucement la GARNITURE vers le haut dans l'ouverture du luminaire jusqu'à être au même niveau que le plafond. Visser la Lampe à l'intérieur et vérifiez la sûreté de l'installation.

REEMPLACER L'AMPOULE PAR30 50W/75W 120VAC

1. Débrancher l'alimentation électrique avant l'installation.
2. Retirer l'AMPOULE en la tournant dans le sens anti horaire sur la DOUILLE DU LUMINAIRE. Brancher la nouvelle AMPOULE en la tournant dans le sens horaire sur la DOUILLE DU LUMINAIRE.

INSTALLATION INSTRUCTIONS

INSTALACIÓN DE REMODELACIÓN DE LA SERIE LK3, LK4, LK5, SOLAMENTE 120V



LK3
LK4, LK5

GUARDE ESTAS INSTRUCCIONES

Antes de instalar la instalación, desconecte **TODOS** los suministros de alimentación de la unidad. Esta unidad solamente puede ser instalada en una **instalación del TIPO NON-IC**. No se puede colocar aislamiento sobre la parte superior de / o dentro de las 3" (76 mm) de la instalación.

INSTALACIÓN DE LA INSTALACIÓN DE REMODELACIÓN

1. NOTA: Cuando se decida en la colocación de la instalación y prepare para cortar el agujero, tenga en cuenta los requerimientos de la colocación de la vigueta y el cableado eléctrico. El material de su techo debe ser no combustible y suficientemente fuerte para soportar la instalación.

2. Grosos máximo del techo para las aplicaciones de remodelado
- LK3= 5/8" máximo de yeso; 3/4" máx de caída desde el azulejo del techo.
 - LK4= 1" máximo de yeso y de caída desde el azulejo del techo
 - LK5= 1" máximo de yeso y de caída desde el azulejo del techo

3. Usando la sierra de agujeros y las herramientas apropiadas corte el patrón del círculo en el techo.

4. Desconecte toda las alimentaciones antes de la instalación. Quite el alzaprimo adecuado con el destornillador. Abra el broche de presión que hay en la Cubierta sobre la caja de ensambladura depresionando el resorte y dejando que la cubierta se quede colgando.

Usando los conectores de cables que se proporciona, haga todas las conexiones en el interior de la caja de ensambladura. Lleve los cables de suministro al interior de la caja mediante cable protegido o cable Romex y conectores (Adquirido por separado).

Conecte el cable HOT de 120V de negro a negro; el cable NÉUTRO blanco con blanco; el cable pelado de TOMA de TIERRA a la toma de tierra, empuje cuidadosamente los cables en la caja de ensambladura. Cierre el broche de presión en la cubierta en su lugar. (Figura 1)

5. Incline la caja de ensambladura de la instalación a través del agujero y sujete contra el techo y empuje reteniendo los clips con el destornillador hasta que se queden fijamente en su lugar. Revise la instalación para ver que la instalación esté segura y los clips estén cerrados en su lugar. (Figura 2 y Figura 3)

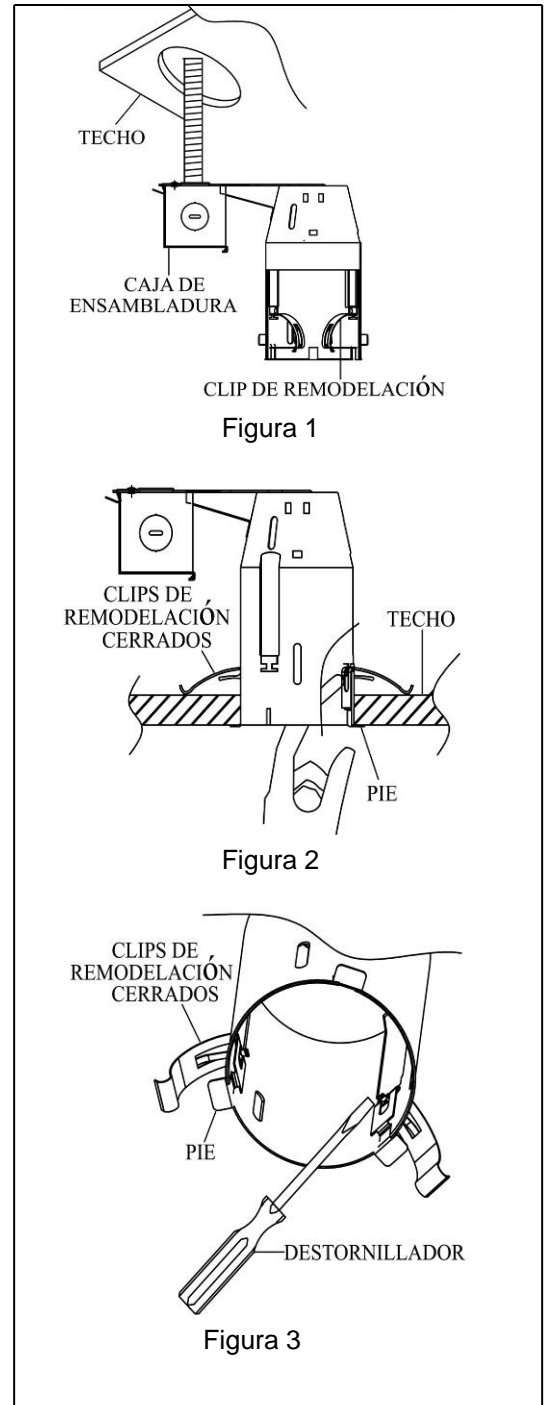


Figura 1

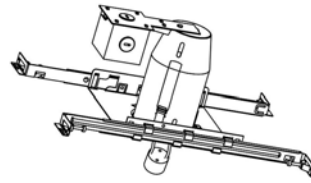
Figura 2

Figura 3

INSTALLATION INSTRUCTIONS

* La instalación del TIPO NON-IC se refiere a la instalación de dispositivos Incrustados donde no haya contacto entre el dispositivo y el aislamiento, donde no haya colocado aislamiento sobre la parte superior del / o dentro de 3" (76 mm) del dispositivo.

ADAPTADORES DE NUEVA CONSTRUCCIÓN LKA3, LKA4, LKA5 BARRAS COLGADORES LKABH SOLAMENTE 120V



LKA3

LKA4, LKA5

INSTALACIÓN DEL ADAPTADOR DE NUEVA CONSTRUCCIÓN

1. NOTA: Cuando decida en la colocación de la instalación tenga en cuenta los requerimientos sobre la colocación de la vigueta y el cableado eléctrico. El material de su techo debe ser no combustible.
2. Instale el ADAPTADOR DE NUEVA CONSTRUCCIÓN (adquirido por separado) colocando los COLGADORES DE BARRA LKABH (adquirido por separado) entre las viguetas y elevación del techo en los remaches que se adjuntan para fijarlos en su lugar. (Figura 4 & 5)
3. Desconecte toda alimentación antes de la instalación. Estire el cable de suministro a través del agujero del ADAPTADOR. Quite el alzaprimo adecuado con el destornillador. Abra el broche de presión que hay en la Cubierta sobre la Caja de Ensambladura depresionando el resorte y dejando que la cubierta se quede colgando.
Usando los conectores de cables que se proporciona, haga todas las conexiones en el interior de la Caja de Ensambladura. Lleve los cables de suministro al interior de la caja mediante cable protegido o cable Romex y conectores (Adquirido por separado). Conecte el cable HOT de 120V de negro a negro; el cable NEÚTRO blanco con blanco; el cable pelado de TOMA de TIERRA a la toma de tierra, empuje cuidadosamente los cables en la caja de ensambladura. Cierre el broche de presión en la cubierta en su lugar.
4. QUITÉ los (3) CLIPS de RESORTE de la INSTALACIÓN DE REMODELACIÓN y desechar.
5. Incline la caja de ensamblaje de la Instalación a través del agujero y posicione los clips de resorte del adaptador con las ranuras de alineación y aperturas rectangulares en la CUBIERTA DE LA LATA DE REMODELACIÓN. Empuje para que los clips de resorte se acoplen con seguridad y se cierren en su lugar. (Figura 6)
6. Después de que la inspección eléctrica esté aprobada, complete la instalación del techo, con las siguientes aperturas de corte hacia
 - LKA3= 3 1/4 de pulgadas de diámetro de recorte.
 - LKA4= 4 1/4 de pulgadas de diámetro de recorte.
 - LKA5= 5 5/8 de pulgadas de diámetro de recorte.

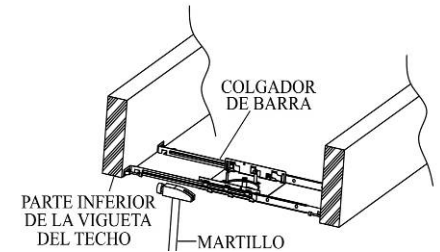


Figura 4

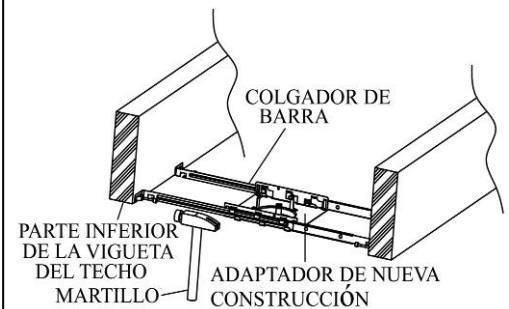


Figura 5

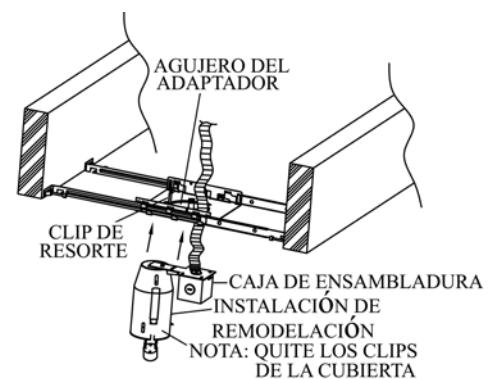


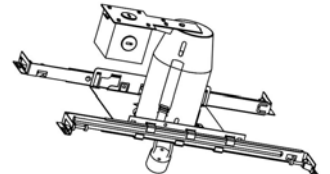
Figura 6

INSTALLATION INSTRUCTIONS

INSTALACIÓN DE REMODELACIÓN DE LA SERIE LK3, LK4, LK5, Y ADAPTADORES DE NUEVA CONSTRUCCIÓN LKA3, LKA4, LKA5 BARRAS COLGADORES LKABH SOLAMENTE 120V



LK3
LK4, LK5



LKA3
LKA4, LKA5

ADORNO PARA LA INSTALACIÓN DE LOS MODELOS LK3 LK4 LK5 con LA LÁMPARA GU10 50W 120VAC

1. Desconecte toda las alimentaciones antes de la instalación. Quite la cubierta de protección del portalámparas.
2. Con la Lámpara instalada en el adorno, conecte la LÁMPARA enroscando en sentido horario en el PORTALÁMPARAS DE LA INSTALACIÓN.
3. Empuje suavemente el ADORNO en la apertura de la instalación hasta que toque con el techo. Revise para ver que la instalación esté segura. (Figura 7)

REEMPLAZAMIENTO DE LA LÁMPARA GU10 50W 120VAC

1. Desconecte toda la alimentación antes de efectuar la instalación.
2. Quite el reborde de la carsaca estirando desde el techo hacia abajo.
3. Desconecte la LÁMPARA retorciendo en sentido horario contrario en el PORTALÁMPARAS DE LA INSTALACIÓN. Conecte la LÁMPARA nueva retorciendo en sentido horario en el PORTALÁMPARAS DE LA INSTALACIÓN.
4. Empuje suavemente hacia arriba el REBORDE en la apertura de la instalación hasta que se alinee con el techo. Revise que la instalación esté segura. (Figura 7)

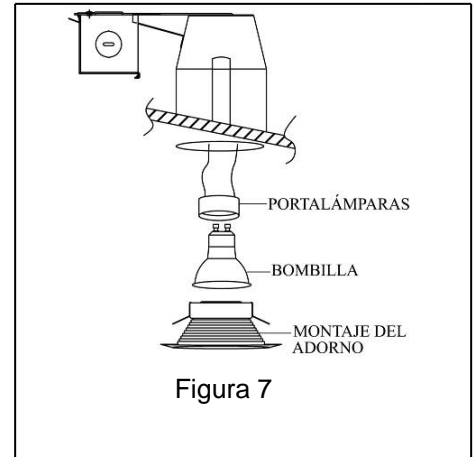


Figura 7

ADORNO PARA LA INSTALACIÓN DEL MODELO LK5

1. Desconecte toda las alimentaciones antes de la instalación. Quite la cubierta de protección del portalámparas.
2. Acople el portalámparas de la instalación en el ADORNO DEL REFLECTOR.
3. Estruje los resortes de torsión juntos y posicione y coloque en las abrazaderas de la instalación. Libere los resortes y empuje suavemente el ADORNO en la apertura de la instalación hasta que toque con el techo. Atornille la Lámpara y revise que la instalación esté segura.

REEMPLAZAMIENTO DE LA LÁMPARA PAR30 50W/75W 120VAC

1. Desconecte toda la alimentación antes de efectuar la instalación.
2. Desconecte la LÁMPARA retorciendo en sentido horario contrario en el PORTALÁMPARAS DE LA INSTALACIÓN. Conecte la LÁMPARA nueva retorciendo en sentido horario en el PORTALÁMPARAS DE LA INSTALACIÓN.