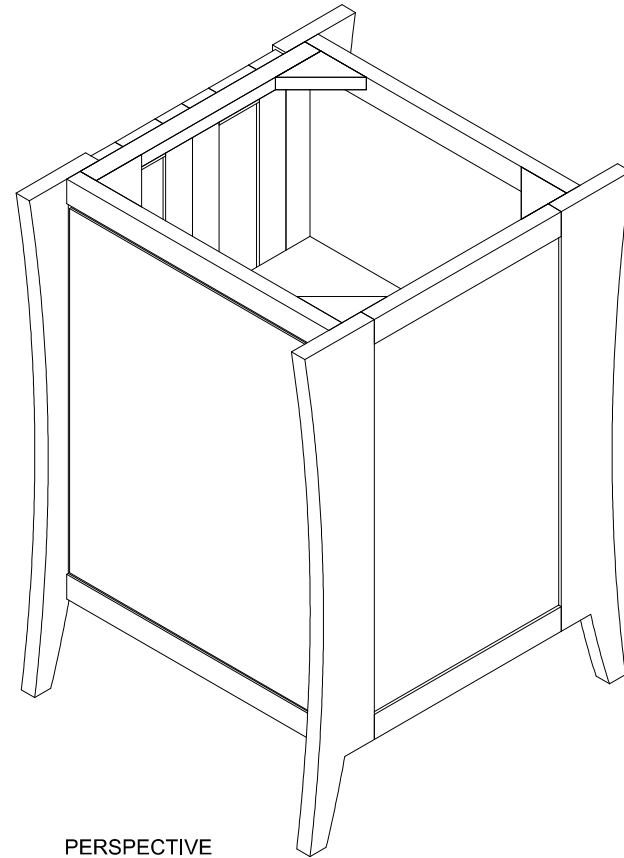



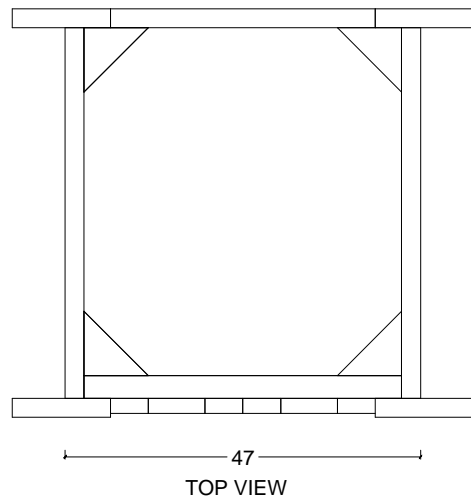
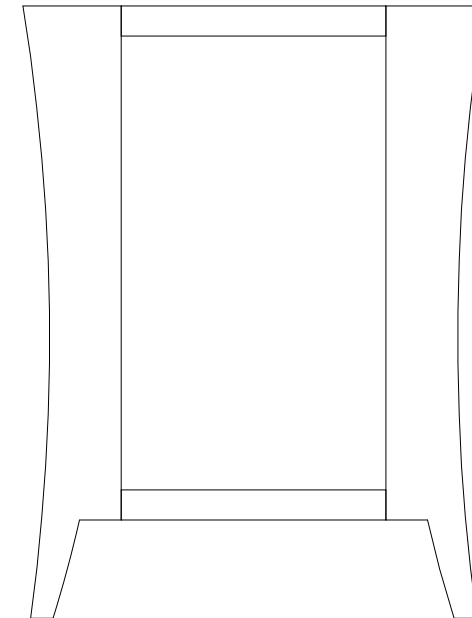
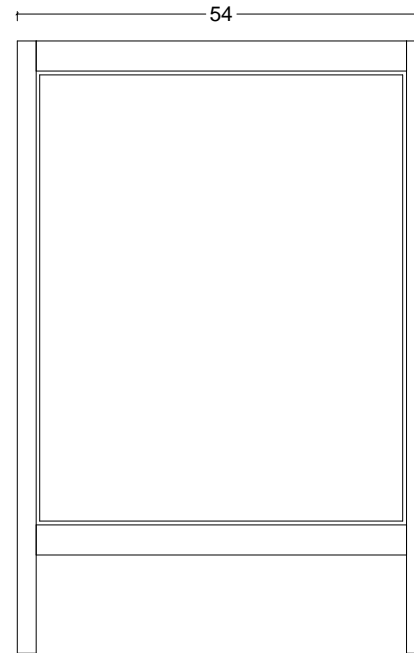
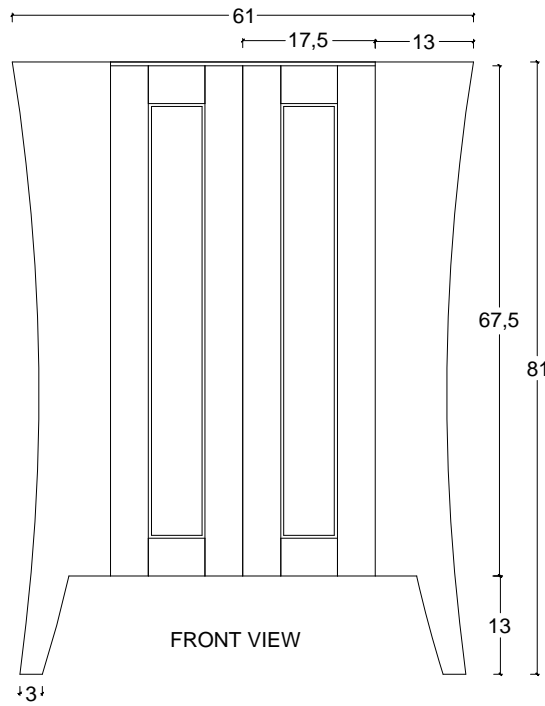
PERSPECTIVE
(FRONT)




PERSPECTIVE
(BACK)

All Right Reserved. No manufacturing or distribution without permission of E&T Horizons, USA

	DESCRIPTION :	SIZE :	UNIT OF MEASURE :	PREPARED BY :		PAGE :
	CURVATURE 24" CT-BT-24	61 x 54 x 81 cm 24 x 21.3 x 31.9 in	cm	E&T Horizons		1



All Right Reserved. No manufacturing or distribution without permission of E&T Horizons, USA

DESCRIPTION :	SIZE :	UNIT OF MEASURE :	PREPARED BY :		PAGE :
CURVATURE 24" CT-BT-24	61 x 54 x 81 cm 24 x 21.3 x 31.9 in	cm	E&T Horizons		2