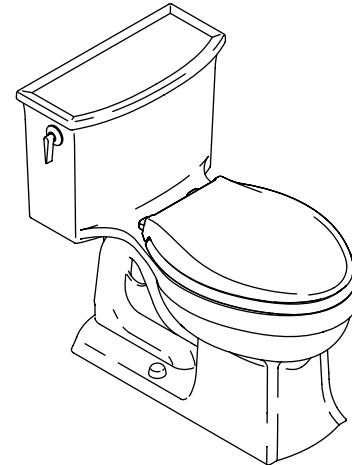




Features

- Vitreous china
- One-piece
- Elongated bowl
- Class Five® flushing system
- Polished chrome trip lever
- Includes seat and cover
- Less supply
- 12" (30.5 cm) rough-in
- 2-1/8" (5.4 cm) glazed trapway
- 11-1/2" (29.2 cm) x 8-1/4" (21 cm) water area
- 29-7/16" (74.8 cm) x 17-7/8" (45.4 cm) x 26-5/16" (66.8 cm)



Codes/Standards Applicable

Specified model meets or exceeds the following:

- ASME A112.19.2/CSA B45.1
- Energy Policy Act of 1992
- EPA WaterSense®

Colors/Finishes

- 0: White
- Other: Refer to Price Book for additional colors/finishes

Accessories

- CP: Polished Chrome
- PB: Vibrant® Polished Brass
- Other: Refer to Price Book for additional colors/finishes

Specified Model

Model	Description	Trip Lever	Colors/Finishes	
K-3639	Toilet	left-hand	<input type="checkbox"/> 0	<input type="checkbox"/> Other_____
Recommended Accessories				
K-7637	Angle supply with stop	<input type="checkbox"/> CP	<input type="checkbox"/> PB	<input type="checkbox"/> Other_____
Optional Accessories				
K-11069	Trip lever (non-CP)	<input type="checkbox"/> PB	<input type="checkbox"/> Other_____	

Product Specification

The one-piece elongated bowl toilet shall be made of vitreous china. Toilet shall be 29-7/16" (74.8 cm) in length, 17-7/8" (45.4 cm) in width, and 26-5/16" (66.8 cm) in height with a 11-1/2" (29.2 cm) x 8-1/4" (21 cm) water area. Toilet shall be 12" (30.5 cm) rough-in. Toilet shall have 2-1/8" (5.4 cm) glazed trapway. Toilet shall feature a 1.28 gpf (4.8 lpf) and Class Five flushing system. Toilet shall include polished chrome trip lever, seat and cover. Toilet shall be less supply. Toilet shall be Kohler Model K-3639-_____.

ARCHER™

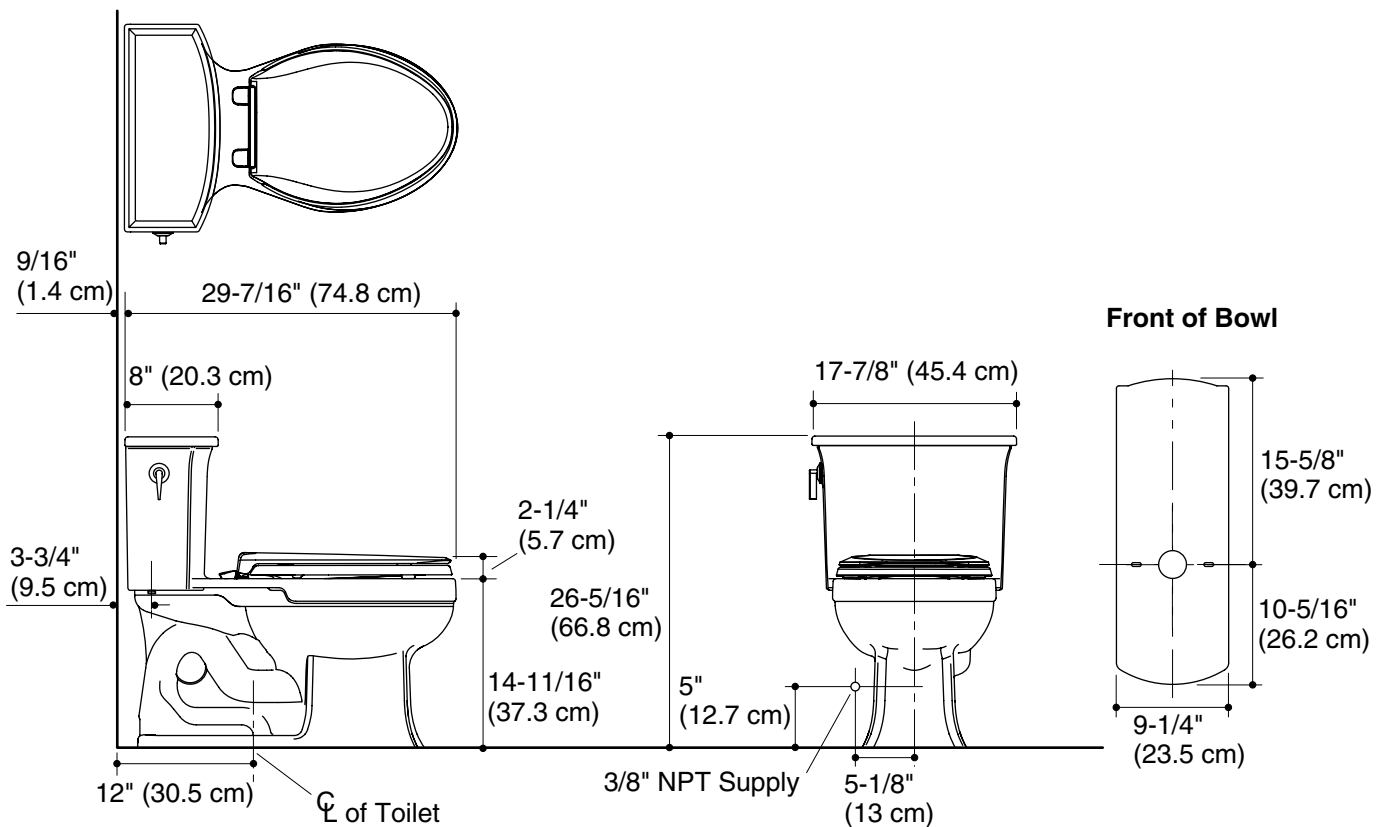
Technical Information

Fixture:	
Configuration	one-piece, elongated
Water per flush	1.28 gal (4.8 L)
Passageway	2-1/8" (5.4 cm)
Water area	11-1/2" (29.2 cm) x 8-1/4" (21 cm)
Water depth from rim	5-3/8" (13.7 cm)
Seat post hole centers	5-1/2" (14 cm)

Included components:	
Tank cover	1046467
Trip lever	1067577
Toilet seat	K-4636
Tank accessory pack	52265
Bolt cap accessory pack	52048

Installation Notes

Install this product according to the installation guide.



Product Diagram