

Assembly Instruction

Please read these instructions carefully before starting assembly. We suggest you carry out the assembly on a soft surface like a carpet, so as to avoid scratching the paint. Keep children away during assembly. This item contains small parts which can be swallowed by children.

Providing outdoor function and is not to be used as a toy. This product is for residential use only. This product is NOT intended for commercial use; unintended use will void the warranty.

This product is not intended for use during inclement or severe weather, that includes but is not limited to rain, hail, sleet, snow, wind, freezing conditions and extreme heat.

Please note because of the nature of cast metal, you may find roughness on the surface which enhances the beauty of the product and is not a defect.

Aluminum is soft metal, please do not use power tools, and over tighten may strip threads or break the parts. dry location.

Do not locate the product near any sort of high heat. Do not use the product as a support. Do not shake or lean on the chair.

Should be supervised by a competent adult at all times.

Assembly instructions for future reference or warranty.

1.Step 1: Place all the parts on a clean and soft surface, identify all the parts and hardware kits against parts list. Remember not to tighten all the bolts before they are all set up

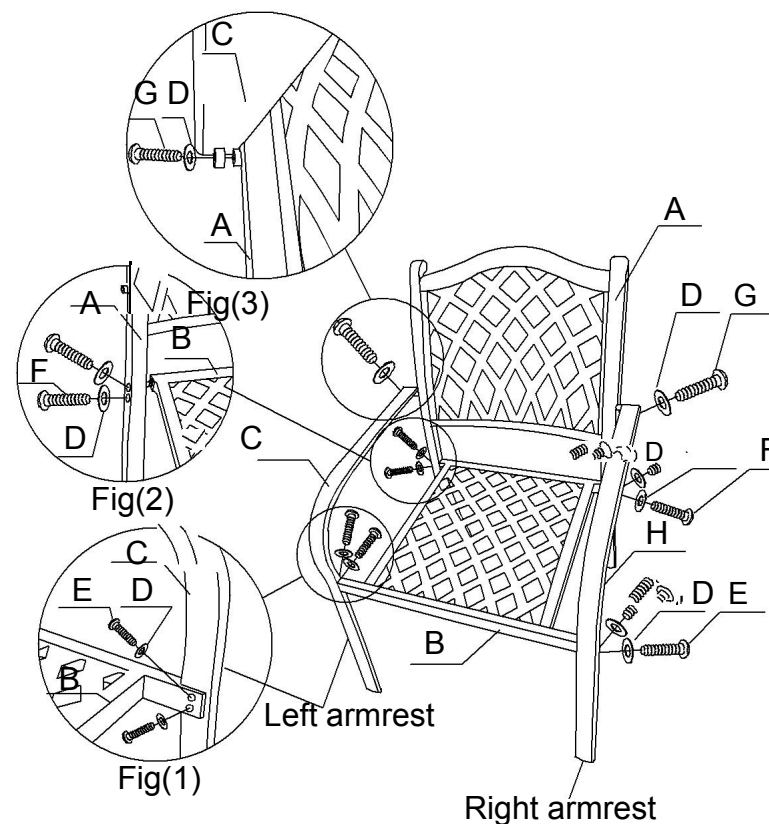
2.Step 2: Assemble Seat(B) and Left armrest(C) first with hardware kits(E,D) in the order displaced as Fig(1). Do not tighten the bolt. Repeat this step to assemble Seat(B) and Right armrest(D);

3.Step 3: Assemble Seat(B) and Back(A) with hardware kits(F,D) in the order displaced as Fig(2) for both sides. Do not tighten the bolts;

4.Step 4: Assemble Left armrest(C) and Back(A) with hardware kits(G,D) in the order displaced as Fig(3). Do not tighten the bolts. Repeat this step to assemble Back(A) and Right armrest(D);

5.Step 5: Tighten all the bolts with Hexagon wrench(K). Do not over tighten bolts, it will cause the damage of product without warranty;

Your chair should be ready for use. If your chair is not stable, double check your assembly procedure or loosen some bolts and tighten them again.



Item	Photo	Description	Qty	Item	Photo	Description	Qty
A		Back	1	E		bolts(6*16)	4
B		Seat	1	F		bolts(6*50)	4
C		Left armrest	1	G		bolts(6*30)	2
H		Right armrest	1	K		Hexagon wrench	1
D		Washer	10				