

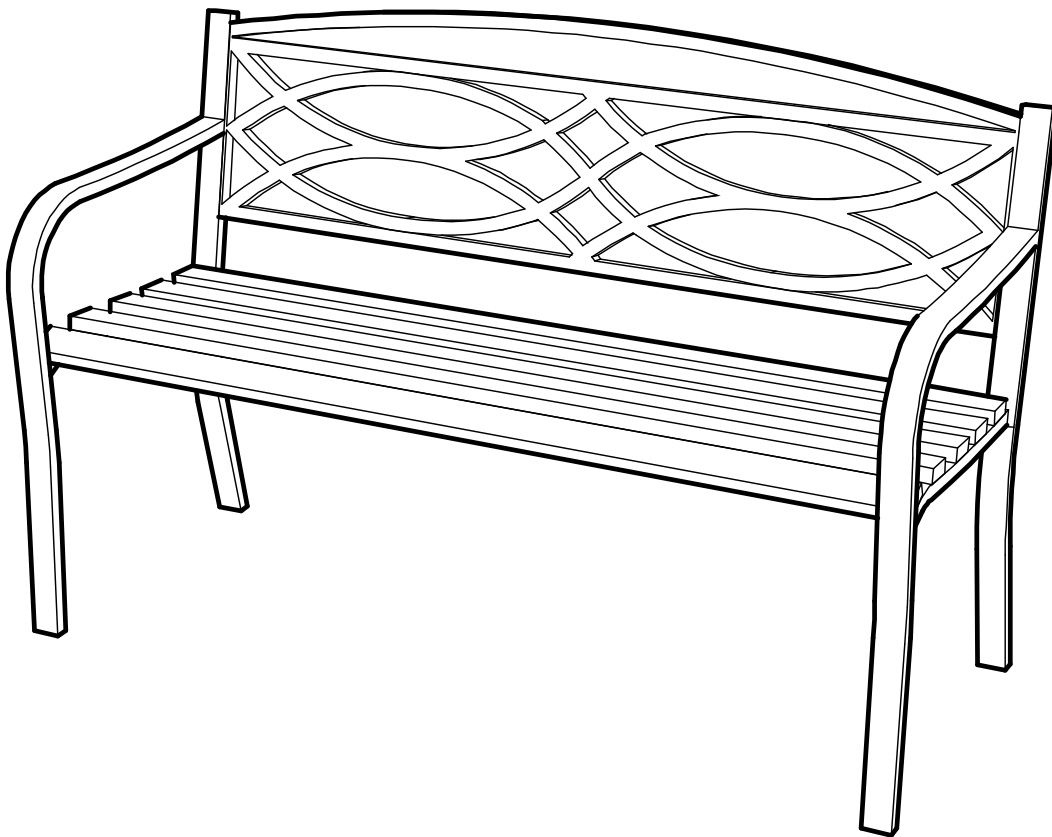


Item #1003 535 476  
Model #S-PB176PCO

## USE AND CARE GUIDE

---

### AUBREY BENCH



Questions, problems, missing parts? Before returning to the store,  
call Hampton Bay Customer Service  
8 a.m. - 7 p.m., EST, Monday – Friday, 9 a.m. – 6 p.m., EST, Saturday

**1-855-HD-HAMPTON**

**HAMPTONBAY.COM**

---

#### **THANK YOU**

*We appreciate the trust and confidence you have placed in Hampton Bay through the purchase of this Bench. We strive to continually create quality products designed to enhance your home. Visit us online to see our full line of products available for your home improvement needs. Thank you for choosing Hampton Bay!*

# Table of Contents

**Table of Contents** ..... 2  
**Important Safety Instructions** ..... 2  
**Warranty** ..... 2  
    What is covered ..... 2  
    What is not covered ..... 2

**Pre-Installation** ..... 3  
    Planning Installation ..... 3  
**Installation** ..... 4  
**Care and Cleaning** ..... 5


# Important Safety Instructions

## READ ALL INSTRUCTIONS BEFORE USE


To reduce the risk of injury to persons:


1. Close supervision is necessary when this furnishing is used by or near children, or disabled persons, if applicable.
2. Use this furnishing only for its intended use as described in these instructions. Do not use attachments not recommended by the manufacturer.
3. Do not move the chaise lounge chair while it is occupied. Failure to obey this caution could result in injury.

 **CAUTION:** Do NOT over tighten any of bolts or nuts.

 **NOTE:** For outdoor use only.

 **DANGER:** Keep children and parts away from the assembly area.

 **WARNING:** Do not leave the gazebo where there is a risk of high wind, as possible damage will occur to the structure.

 **WARNING:** To avoid destroying the finish, please handle the surface by using a soft cloth instead of your bare hands. Due to the nature of iron, surface oxidation (rusting) will occur once these protective coatings are scratched. We recommend immediate touch-up with rust inhibiting paint (not included).

# Warranty

## 2 YEAR WARRANTY

### WHAT IS COVERED

This limited warranty is extended to the original purchaser and applies to defects in materials and workmanship of your item provided the item is maintained with care and used only for personal, residential purposes. The item is warranted to be free from defects in material or workmanship for a period of 2 years.

### WHAT IS NOT COVERED

We do not reimburse for transportation of delivery costs, or compensate the individual or any outside party for assembling or disassembling the product.


Contact the Customer Service Team at 1-855-HD-HAMPTON or visit [HAMPTONBAY.COM](http://HAMPTONBAY.COM).

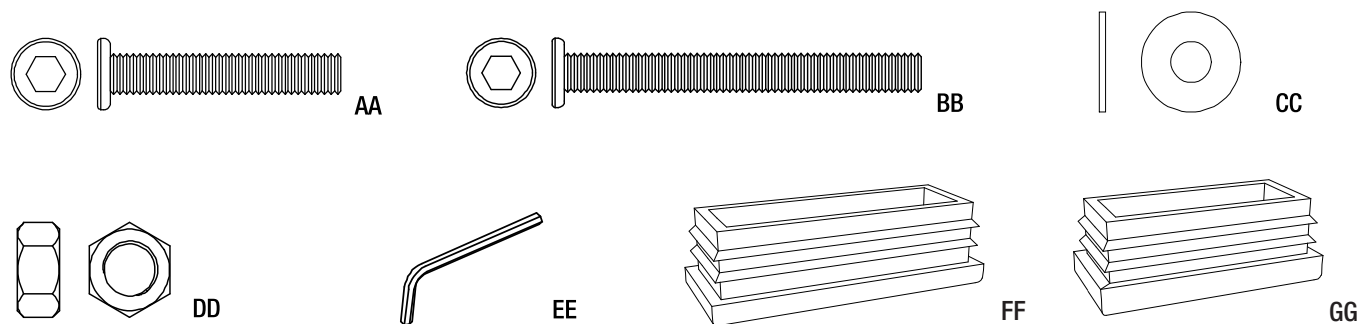
# Pre-Installation

## PLANNING INSTALLATION

Before beginning assembly of this product, make sure all parts are present. Compare parts with the Hardware Included and Package Contents lists. If any part is missing or damaged, do not attempt to assemble the product. Contact customer service for replacement parts.

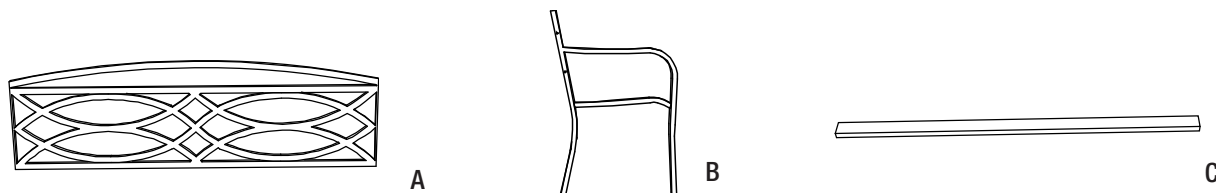
## HARDWARE INCLUDED

 **NOTE:** Hardware not shown to actual size.



Part	Description	Quantity	Additional hardware
AA	Bolt M6*35	10	1
BB	Bolt M6*55	4	1
CC	Flat washer M6	18	2
DD	Nut M6	4	1
EE	Allen Key Size 4	1	0
FF	Plastic Plug Pre-assembled	10	0
GG	Plastic Plug Pre-assembled	6	0

## PACKAGE CONTENTS



Part	Description	Quantity
A	Back	1
B	Handrail	2
C	Seat	5

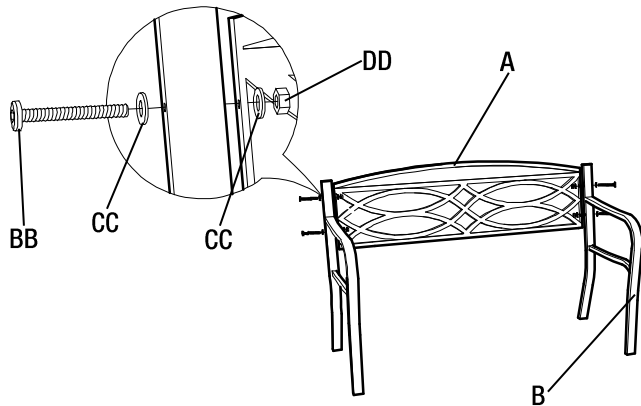
# Installation (continued)

## 1 Connecting the Back and Handrail

Connecting the Back (A) with the Handrail (A&B) using the bolts (BB), flat washers (CC) and nut (DD) with the allen key (EE). Do not tighten the bolts.



**DANGER:** To avoid destroying the finish, do not put the parts on the ground directly.

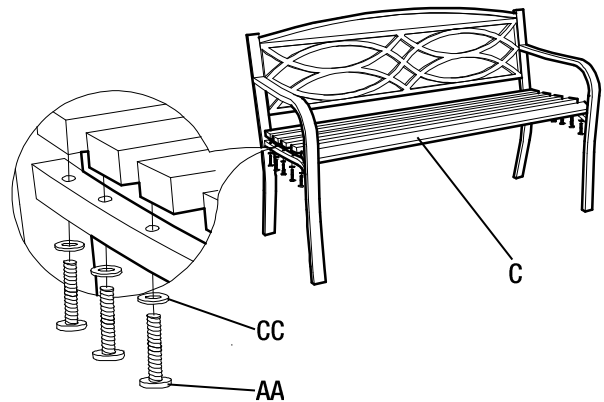


## 2 Connecting the Handrail and Seat

Connecting the Seat (C) with the Handrail (A&B) using the bolts (AA) and flat washers (CC) with the allen key (EE). Tighten all the bolts.



**DANGER:** To avoid destroying the finish, do not put the parts on the ground directly.



## Care and Cleaning

---

- Before using, clean the bench completely with a soft dry towel.
- Do not put your bench in wet conditions where there is a risk of rust developing.
- When not in use, store in a cool, dry area.



Questions, problems, missing parts? Before returning to the store,  
call Hampton Bay Customer Service  
8 a.m. – 7 p.m., EST, Monday – Friday, 9 a.m. – 6 p.m., EST, Saturday

**1-855-HD-HAMPTON**

**HAMPTONBAY.COM**

Retain this manual for future use.