

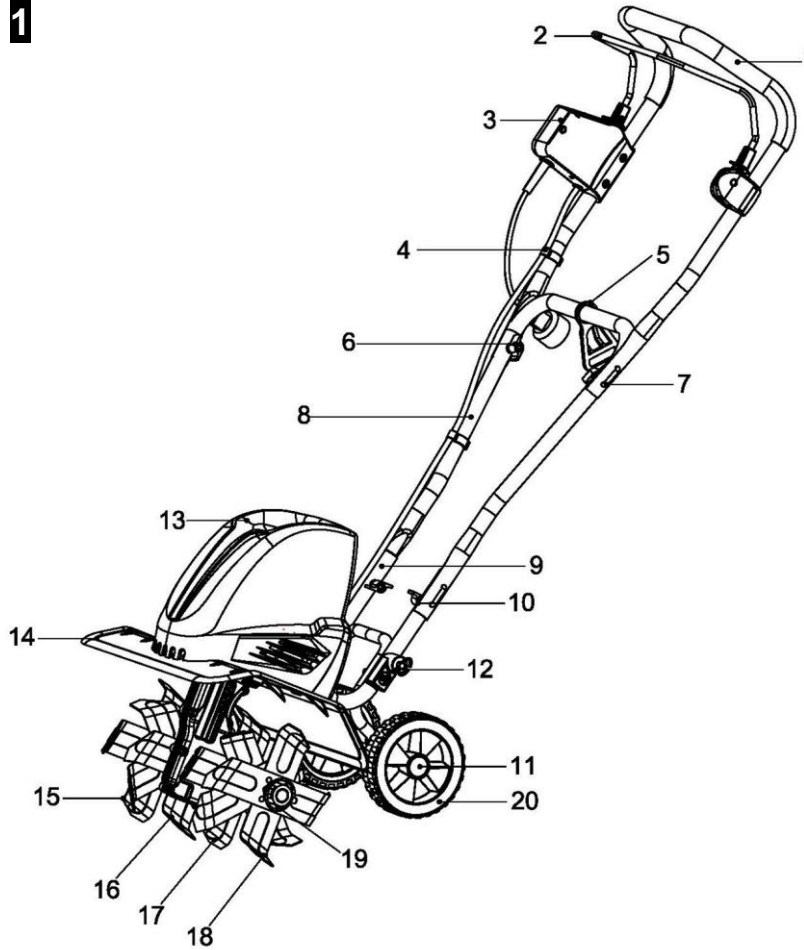
PRODUCT SPECIFICATIONS

Model: TC70135S

Power supply voltage: 120V-60HZ
 Tine Speed: 360 RPM
 Power Consumption: 13.5 Amp

Working width: 11-IN or 16-IN
 Working depth max: 8-IN

1



No.	Description	No.	Description
1	Upper handle section	11	Wheel hub cap
2	Bail wire	12	Wheel frame lock pin
3	Switch box and power cable assembly	13	Motor housing
4	Cable clip	14	Protective shield
5	Cord retainer	15	Tine assembly, D
6	Wing nut	16	Tine assembly, C

7	J-bolt M6	17	Tine assembly, B
8	Center handle section	18	Tine assembly, A
9	Lower handle section - II	19	Tine lock pin
10	Lower handle section - I	20	Wheel