

### Features

- KOHLER cast iron
- ADA compliant
- Without overflow
- Self-rimming or undercounter
- 24-3/4" (62.9 cm) x 15-5/8" (39.7 cm)

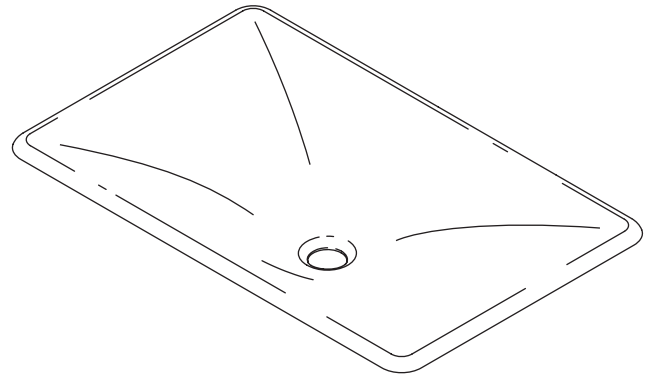
### SELF-RIMMING/UNDERCOUNTER LAVATORY K-2826

ADA

### Codes/Standards Applicable

Specified model meets or exceeds the following:

- ASME A112.19.1
- IAPMO/UPC
- CSA B45
- ADA
- CSA International



### Colors/Finishes

- 0: White
- Other: Refer to Price Book for additional colors/finishes

### Accessories:

- CP: Polished Chrome
- Other: Refer to Price Book for additional colors/finishes

### Specified Model

Model	Description	Colors/Finishes	
K-2826	Self-rimming/Undercounter lavatory	<input type="checkbox"/> 0	<input type="checkbox"/> Other_____
Recommended Accessory			
K-9018	P-trap	<input type="checkbox"/> CP	<input type="checkbox"/> Other_____

### Product Specification

The self-rimming/undercounter lavatory shall be 24-3/4" (62.9 cm) in length, and 15-5/8" (39.7 cm) in width. Lavatory shall be made of cast iron. Lavatory shall be ADA compliant. Lavatory will not have an overflow. Lavatory shall be Kohler Model K-2826-\_\_\_\_\_.

# IRON/TONES™

## Technical Information

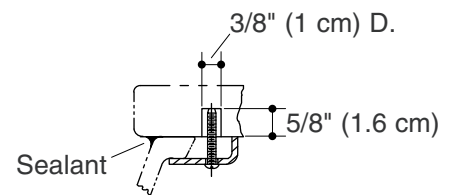
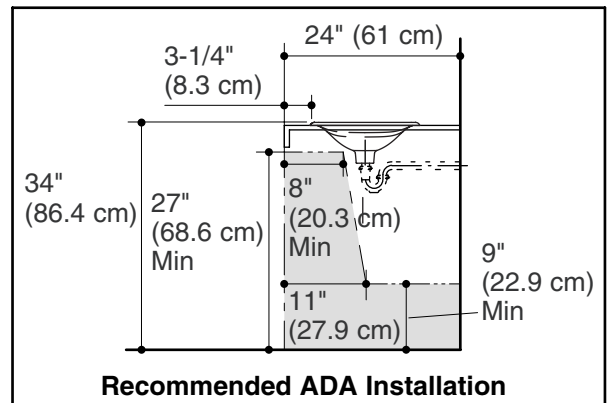
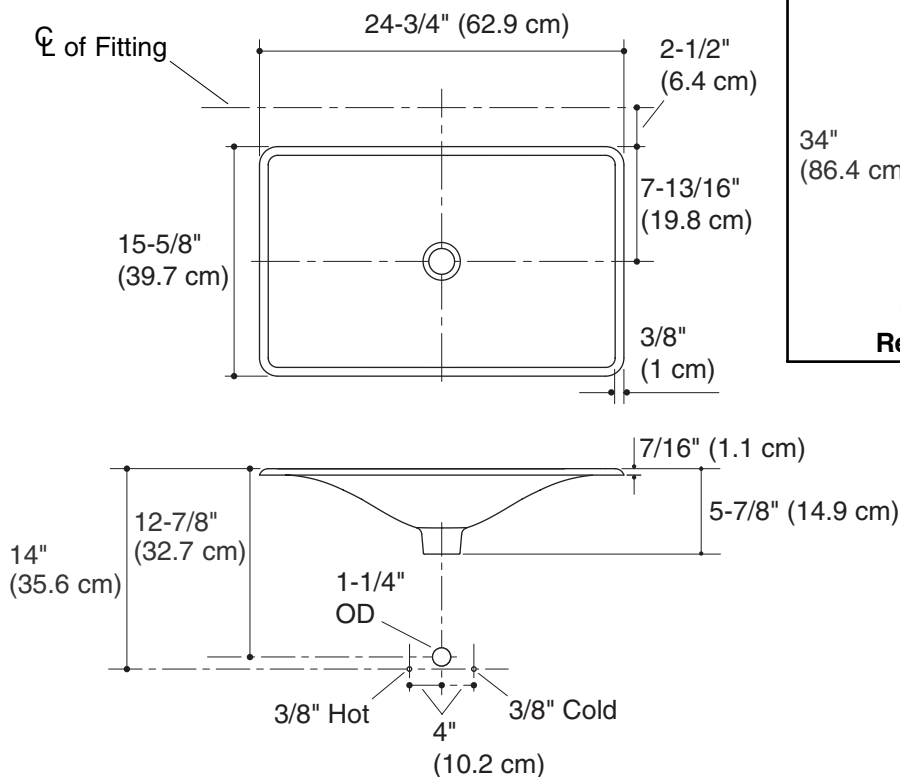
Fixture*:	Basin area	Water depth
Lavatory	23-3/4" (60.3 cm) x 14-1/2" (36.8 cm)	3-7/8" (9.8 cm)
Drain hole	1-3/4" (4.4 cm) D.	
* Approximate measurements for comparison only.		
Included components:		
Basin clamp assembly	52047	
Cut-out template	1053506-7	

## Installation Notes

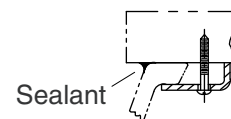
Install this product according to the installation guide.

Supplied basin clamp assemblies require 1" (2.5 cm) minimum countertop thickness. Installer must supply anchors for thinner countertops.

**NOTICE:** The countertop manufacturer or cutter **must** use the cut-out template provided with the product, or a current one provided by the Kohler Co. (Call 1-800-4-KOHLER.) Kohler Co. is not responsible for cut-out errors when the incorrect cut-out template is used.



Marble Installation



Wood Installation

## Product Diagram