



MONCALIERI

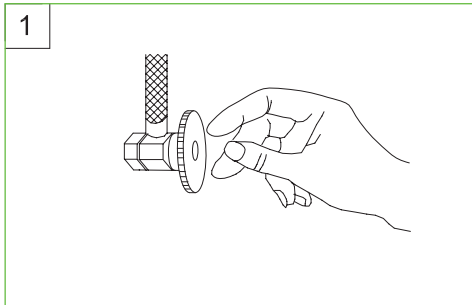
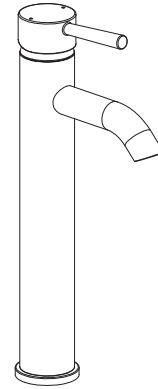
Vessel Sink Filler Faucet

BRN-MCRVF
BRN-MCRVFD

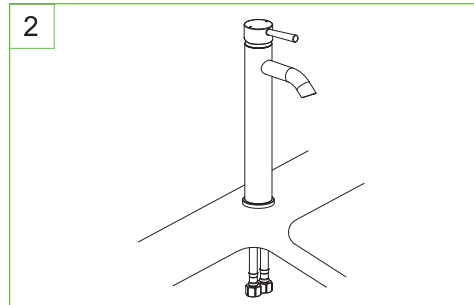
INSTALLATION

TOOLS:

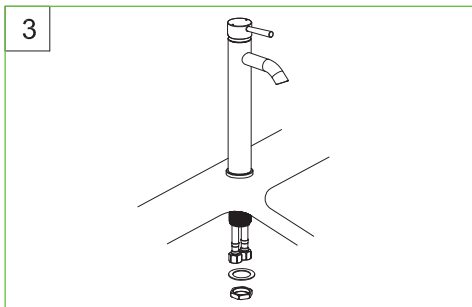
Adjustable Wrench
Pliers
Pipe Wrench
Screwdriver
Teflon Tape



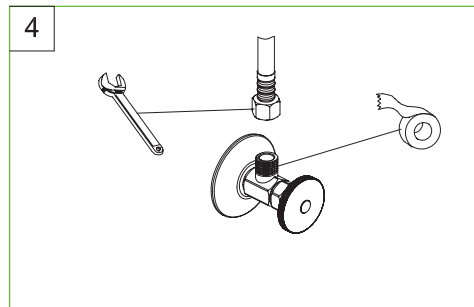
Shut off water supplies. Remove old faucet. Clean sink/counter surface in preparation for new faucet.



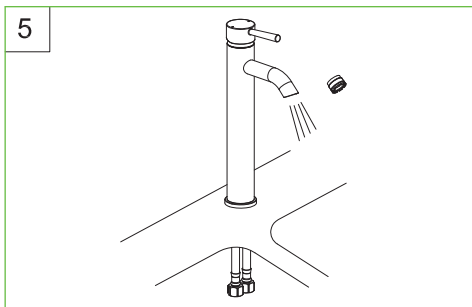
Place flange on bottom of new faucet, the position faucet through mounting hole.



Screw the mounting stud into the body. Secure the faucet to sink/counter by installing steel washer and nut. Tighten with wrench.



Apply pipe tape onto threads of water supplies. Use wrench when tightening the hose connection. Do not overtighten.



IMPORTANT: After installation is complete, remove aerator and turn on water supply and allow both hot and cold water to run for at least one minute each. While water is running check for leaks; make adjustments if necessary. Reinstall aerator. Your new faucet is now ready for use.

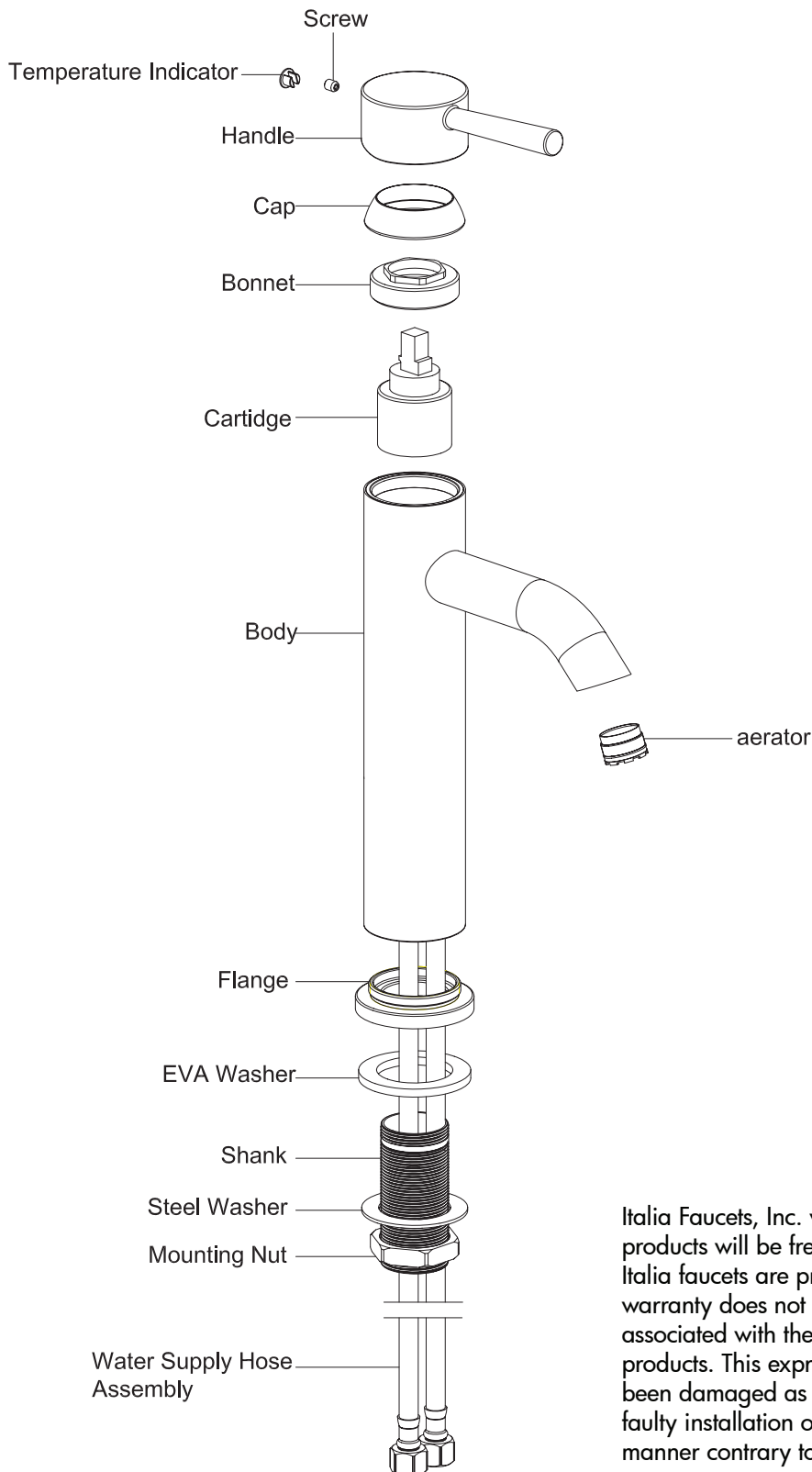
MAINTENANCE:

Your new vessel sink faucet is designed for years of trouble-free performance. Keep it looking new by cleaning it periodically with a soft cloth. Avoid abrasive cleaners, steel wool and harsh chemicals as these will dull the finish and void your warranty.



MONCALIERI

SINGLE HANDLE 1-HOLE MOUNT VESSEL SINK FAUCET



LIMITED LIFETIME WARRANTY

Italia Faucets, Inc. warrants to the original purchaser that their products will be free from defects in workmanship and materials. All Italia faucets are provided with a limited lifetime warranty. This warranty does not cover any other labor or service charges associated with the removal, repair, or reinstallation of Italia Faucets products. This express warranty does not apply to products that have been damaged as a result of misuse, abuse, negligence, accident, faulty installation or maintenance practices and/or used in any manner contrary to those recommended by the manufacturer.