

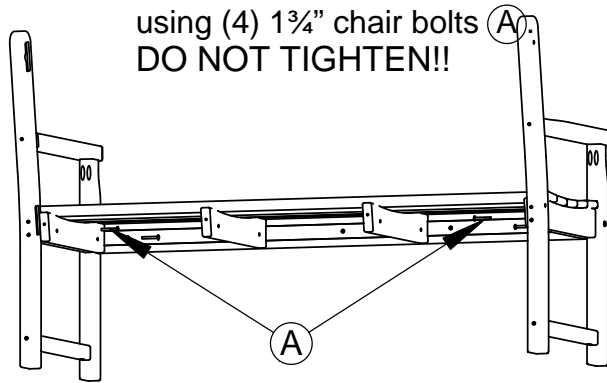
Assembly Instructions Model: TXB60

Parts

- (1) Seat
- (1) Back
- (2) Sideframes
- (1) Hardware pack

Step 1

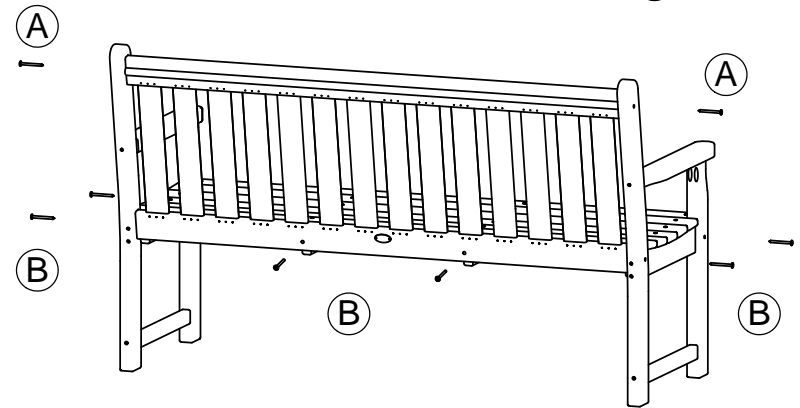
Attach sideframes to seat using (4) 1¾" chair bolts (A)
DO NOT TIGHTEN!!



Step 2

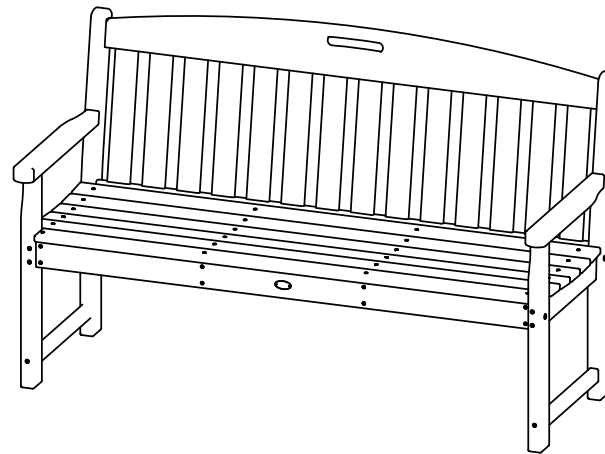
- Attach back to sideframes using (2) 1¾" chair bolts (A) into the tube on top and (4) 2½" screws (B) on bottom

- Attach center of the back to the seat using (1) 2½" screw (B)



Step 3

Tighten the 1¾" chair bolts from Step 1

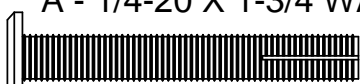


TOOLS NEEDED



4mm Hex Key: Included

Qty.	Description
6	A - 1/4-20 X 1-3/4 WAFER SHCS
6	B - .27 X 2-1/2 SOCKET WAFER A



ALL HARDWARE IS COATED STAINLESS STEEL

8/31/2011