

BARRIER FREE

**CHAMPION® 4 HET
RIGHT HEIGHT® ROUND FRONT TOILET**

- 241BA.104**
 - Features **Champion® Flushing System**
 - Vitreous china
 - High Efficiency Toilet (HET), ultra-low consumption (1.28 gpf/4.8 Lpf), utilizes 20% less water
 - Meets EPA WaterSense® Criteria
 - PowerWash® rim scrubs bowl with each flush
 - Includes color match bowl caps
 - EverClean® Surface included
 - 4" piston-action Accelerator™ flush valve
 - 2-3/8" trapway
 - 16-1/2" rim height for accessible applications
 - 12" (305mm) rough-in
 - Generous 9" x 8" water surface area
 - Chrome finish trip lever is supplied
 - 1,000g MaP Score** at 1.28gpf
 - 10 year warranty

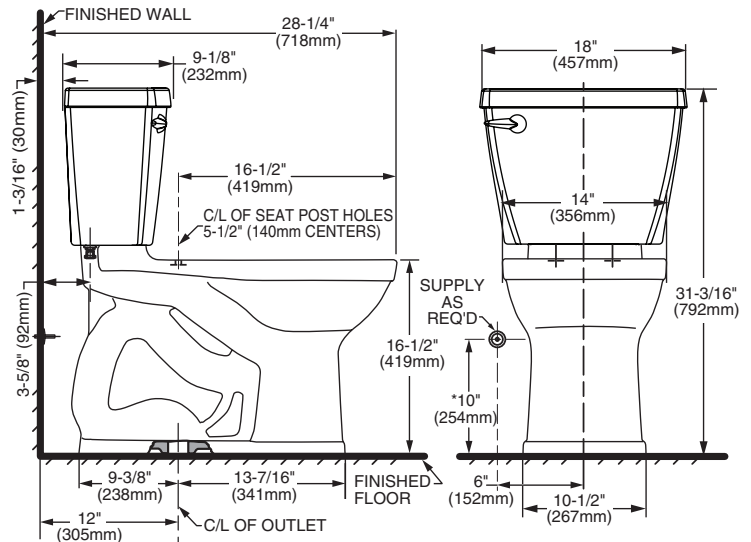


- 3395B.001** Right Height® Round Front Bowl
- 4149A.104** Tank

Nominal Dimensions:

768 x 457 x 792mm (30-1/4" x 18" x 31-3/16")

Fixture only, seat and supply sold separately



**Compliance Certifications -
Meets or Exceeds the Following Specifications:**

- ASME A112.19.2-2008/CSA B45.1-08 for Vitreous China Fixtures
- US EPA WaterSense® Specification for HETs

NOTES:
THIS TOILET IS DESIGNED TO ROUGH-IN AT A MINIMUM DIMENSION OF 305MM (12") FROM FINISHED WALL TO C/L OF OUTLET.
SUPPLY NOT INCLUDED WITH FIXTURE AND MUST BE ORDERED SEPARATELY.
* DIMENSION SHOWN FOR LOCATION OF SUPPLY IS SUGGESTED.

IMPORTANT: Dimensions of fixtures are nominal and may vary within the range of tolerances established by ANSI Standard A112.19.2. These measurements are subject to change or cancellation. No responsibility is assumed for use of superseded or voided pages.

** Maximum Performance (MaP) testing performed by IAPMO R&T Lab. MaP Report conducted by Veritec Consulting, Inc. and Koeller and Company.

To Be Specified:

- Color: White Bone Linen Black
- Seat: #5330.010 Round Front Champion® Slow Close solid plastic seat and cover
- Supply with stop:

MEETS THE AMERICANS WITH DISABILITIES ACT GUIDELINES AND ANSI A117.1 REQUIREMENTS FOR ACCESSIBLE AND USABLE BUILDING FACILITIES-CHECK LOCAL CODES.

CHAMPION® 4 HET
Flushing System



CHAMPION® SLOW-CLOSE TOILET SEATS

- 5321A.65CT Elongated
- 5320B.65CT Round Front

- Slow-close "No Slam" hinge for user's convenience
- Unique Easy Lift off feature allows for quick removal and replacement of seat and cover for easy cleaning of toilet without any tools
- EverClean® Antimicrobial Surface
- Solid plastic seat with cover
- Fits most conventional elongated or round front toilets
- Attractive design coordinates with popular bathroom decor
- Includes bottom-mounting hardware

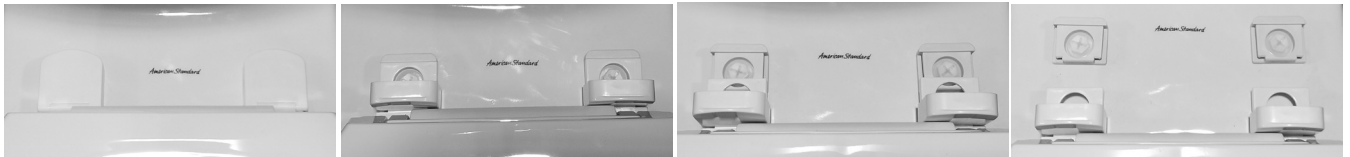


SHOWN: CONVENIENT SLOW CLOSE FEATURE

To Be Specified:

- Color: 020 White 021 Bone 222 Linen

SHOWN: UNIQUE EASY LIFT OFF FEATURE

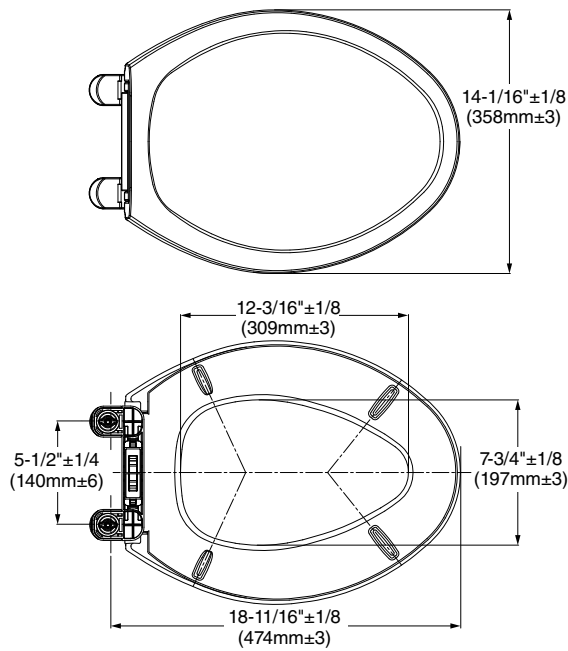


1. Installed
2. Open the hinge cover
3. Pull the seat towards you
4. Remove



EVERCLEAN®

**5321A.65CT Champion Slow Close
Elongated Toilet Seat**



**5320B.65CT Champion Slow Close
Round Front Toilet Seat**

