

# Cooktop

## Installation Manual

NIT5068UC, NIT8068SUC, NIT8068UC, NITP068SUC,  
NITP068UC, NIT5668UC, NIT8668SUC, NIT8668UC,  
NITP668SUC, NITP668UC



**BOSCH**

Invented for life



---

# Table of Contents

<b>Safety Definitions</b> .....	<b>2</b>	<b>Prepare Installation Space</b> .....	<b>5</b>
<b>IMPORTANT SAFETY INSTRUCTIONS</b> .....	<b>3</b>	Cutout dimensions for 30" cooktops .....	5
Safety Codes and Standards .....	3	Cutout dimensions for 36" cooktops .....	6
Electric Safety .....	3	Ventilation .....	6
Related Equipment Safety .....	3	<b>Installation Procedure</b> .....	<b>7</b>
State of California Proposition 65 Warnings .....	3	Installing the heat shield .....	7
<b>Before you begin</b> .....	<b>4</b>	Secure the cooktop to countertop .....	7
Tools and parts needed .....	4	<b>Electrical Installation</b> .....	<b>8</b>
Parts included .....	4	Electrical requirements .....	8
Cabinet Requirements .....	4	Connect Electrical Supply .....	8
Countertop Requirements .....	4	Check the Installation .....	9
		<b>Technical service</b> .....	<b>9</b>

---

## Safety Definitions

---

### **▲ WARNING**

This indicates that death or serious injuries may occur as a result of non-observance of this warning.

---

---

### **▲ CAUTION**

This indicates that minor or moderate injuries may occur as a result of non-observance of this warning.

---

**NOTICE:** This indicates that damage to the appliance or property may occur as a result of non-compliance with this advisory.

**Note:** This alerts you to important information and/or tips.

# IMPORTANT SAFETY INSTRUCTIONS

## READ AND SAVE THESE INSTRUCTIONS

**IMPORTANT:** The appliance must be installed by a qualified installer.

**INSTALLER:** please leave these instructions with this unit for the owner. Show the owner the location of the circuit breaker or fuse. Mark it for easy reference.

**OWNER:** Please retain these instructions for future reference.

---

### WARNING

---

If the information in this manual is not followed exactly, fire or shock may result causing property damage or personal injury.

---

---

### WARNING

---

Do not repair, replace or remove any part of the appliance unless specifically recommended in the manuals. Improper installation, service or maintenance can cause injury or property damage. Refer to this manual for guidance. All other servicing should be done by an authorized servicer.

---

Remove all tape and packaging before using the appliance. Destroy the packaging after unpacking the appliance. Never allow children to play with packaging material.

Hidden surfaces may have sharp edges. Use caution when reaching behind or under appliance.

This appliance is intended for use up to a maximum height of 13,100 feet (4,000 meters) above sea level. Improper installation can result in loss of the warranty.

## Safety Codes and Standards

This appliance complies with one or more of the following Standards:

- **UL 858, The Standard for the Safety of Household Electric Ranges**
- **UL 507, The Standard for the Safety of Electric Fans**
- **CAN/CSA-C22.2 No. 113-M1984 Fans and Ventilators**
- **CAN/CSA-C22.2 No. 61-M89 Household Cooking Ranges**

It is the responsibility of the owner and the installer to determine if additional requirements and/or standards apply to specific installations.

## Electric Safety

---

### WARNING

---

Before you plug in an electrical cord or turn on power supply, make sure all controls are in the OFF position.

---

If required by the National Electrical Code (or Canadian Electrical Code), this appliance must be installed on a separate branch circuit.

The circuit breaker should have a contact separation of at least 3 mm on all poles.

Be sure your appliance is properly installed and grounded by a qualified technician. Installation, electrical connections and grounding must comply with all applicable codes.

Before installing, turn power OFF at the service panel. Lock service panel to prevent power from being turned ON accidentally.

---

---

### WARNING

---

**IMPROPER GROUNDING CAN RESULT IN A RISK OF ELECTRIC SHOCK**



Consult a qualified electrician if the grounding instructions are not completely understood, or if doubt exists as to whether the appliance is properly grounded. **DO NOT USE AN EXTENSION CORD.**

---

## Related Equipment Safety

The appliance is only guaranteed safe to use if installed by an authorized installer or servicer in accordance with these installation instructions. The installer is liable for any damage resulting from incorrect installation.

Never modify or alter the construction of the appliance. For example, do not remove leveling legs, panels, wire covers or anti-tip brackets/screws.

To eliminate the risk of burns or fire by reaching over heated surface units, cabinet storage space located above the surface units should be avoided. If cabinet storage is to be provided, the risk can be reduced by installing a hood that projects horizontally a minimum of 5 inches (127 mm) beyond the bottom of the cabinet.

Verify that cabinets above the cooktop are a maximum of 13" (330 mm) deep.

DO NOT install refrigerators, dishwashers, ovens (without ventilation), or washing machines below the Cooktop.

**Note:** We strongly recommend the installation of a ventilation system with this appliance.

## State of California Proposition 65 Warnings

---

### WARNING

---

This product contains chemicals known to the State of California to cause cancer, birth defects or other reproductive harm.

---

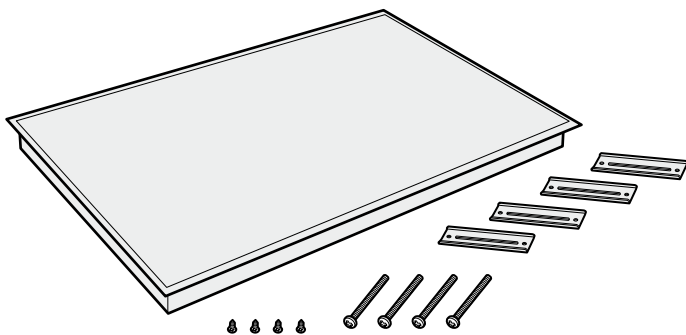
# Before you begin

## Tools and parts needed

- Phillips Head Screwdriver
- Pencil
- Drill with 1/4" (6 mm) bit
- Jigsaw
- Tape Measure

**Note:** Additional materials may be necessary for installation in solid surface countertops. Contact the countertop manufacturer.

## Parts included

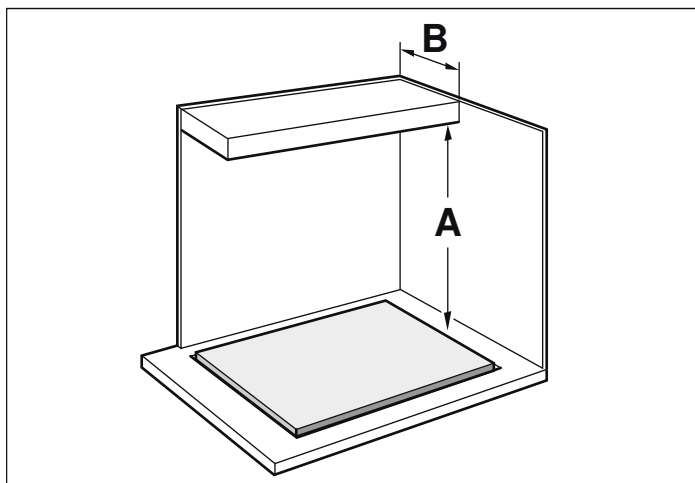


- Hold down brackets (4)
- Clamping screws #10-32 x 2 1/2" (63.8 mm) (4)
- Sheet metal screws #8 x 3/8" (9.5 mm) (4)

## Cabinet Requirements

The distance from the top of the cooktop to the bottom of cabinets above must be a minimum of A=30" (762 mm) min. This distance can be reduced to A=24" (610 mm) when the bottom of the wood or metal cabinet is protected by not less than 1/4" (6.35 mm) flame-retardant millboard covered with not less than no. 28 gauge sheet metal, 0.015" (0.4 mm) stainless steel, 0.024" (0.6 mm) aluminum or 0.020" (0.5 mm) copper.

Verify that the cabinets above the cooktop are a maximum of B=13" (330 mm) deep.



## Countertop Requirements

### ▲ WARNING

To reduce the risk of ignition of surrounding combustible materials, install at least 2" (51 mm) from both sidewalls and the rear wall.

The countertop must be level and horizontal. The stability of the countertop must be maintained after the cut-out has been made.

Solid surface countertops often require special installations. For example, heat-reflective tape and rounded corners may be necessary. Contact the countertop manufacturer for instructions specific to your countertop.

# Prepare Installation Space

Create the cut-out in the countertop according to the installation diagram. The angle of the cut surface to the countertop must be 90°.

The lateral cut-out edges must be flat in order to ensure that the retaining springs are positioned properly on the appliance. With multi-layered countertops, secure strips laterally in the cut-out if necessary.

After creating cut-out, remove shavings. Seal cut surfaces in a heat- and water-resistant manner.

Observe minimum distance between device underside and cabinet surfaces of 3/8" (10 mm).

The worktop into which the cooktop is installed must be heat-resistant up to 140° F (90 °C).

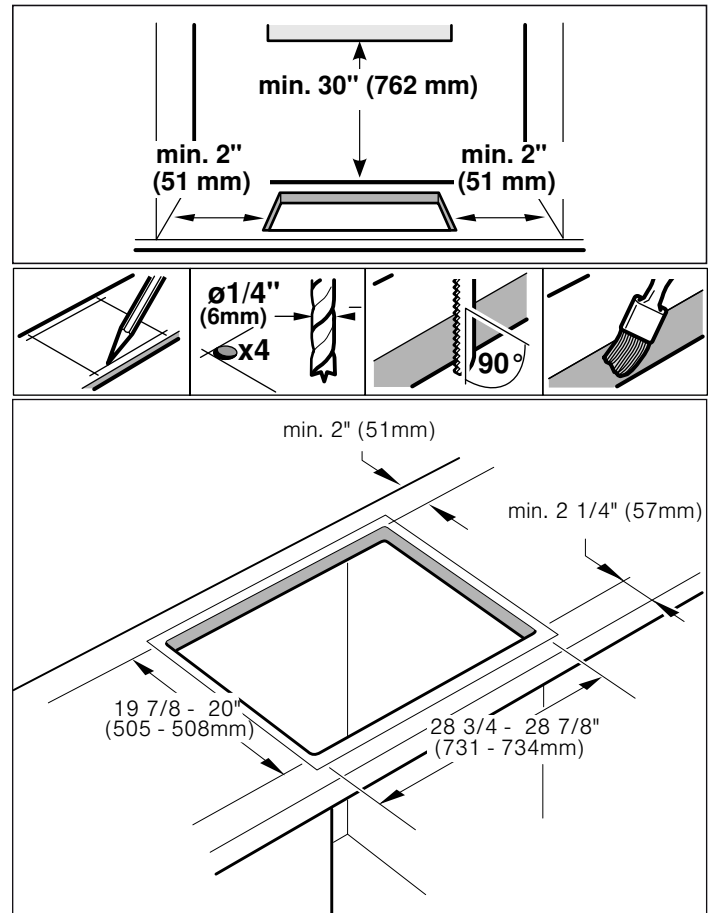
The worktop must be reinforced if it is less than 4/5 inch (20 mm) thick.

If the thickness of the worktop into which the cooktop is installed does not comply with the specifications, reinforce the worktop using a fire- and water-resistant material until it reaches the minimum thickness. Otherwise, sufficient stability cannot be guaranteed.

- The worktop into which the cooktop is installed should withstand loads of approx. 133 lbs (60 kg).
- Only check the evenness of the cooktop after it has been installed.

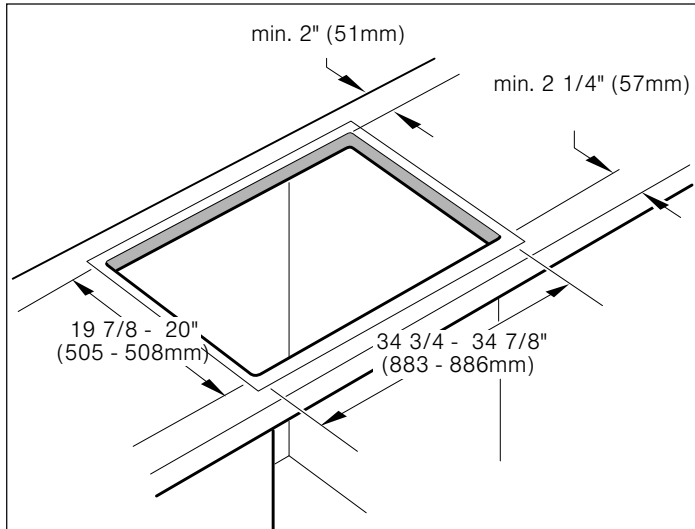
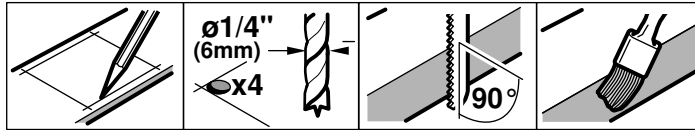
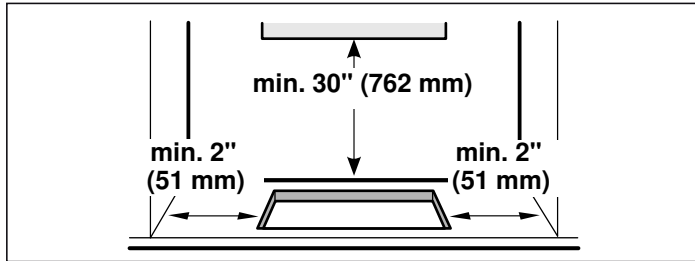
## Cutout dimensions for 30" cooktops

**Models: NIT5068UC, NIT8068SUC, NIT8068UC, NITP068SUC, NITP068UC**



## Cutout dimensions for 36" cooktops

Models: NIT5668UC, NIT8668SUC, NIT8668UC, NITP668SUC, NITP668UC

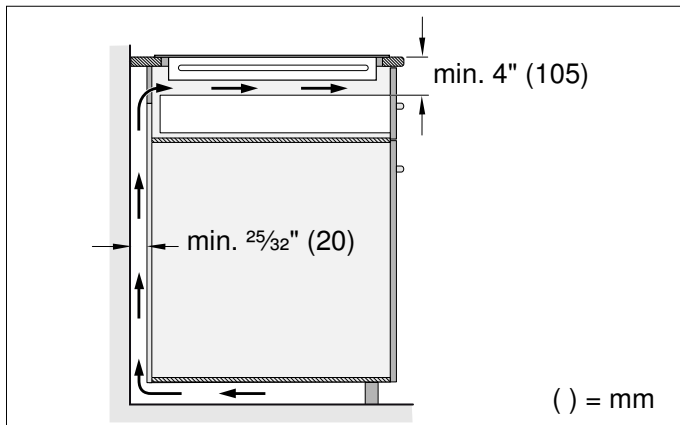


## Ventilation

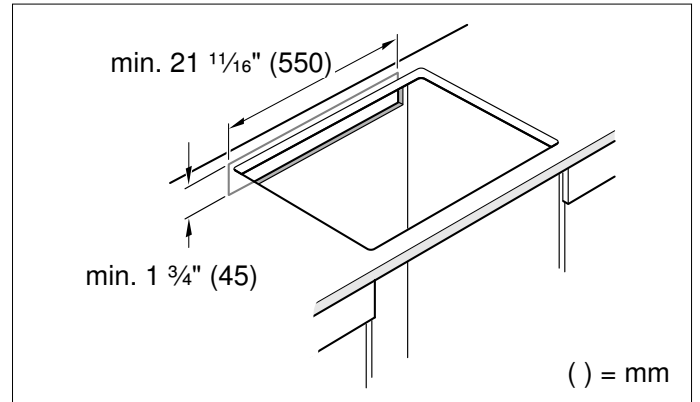
To guarantee that the appliance works correctly, the cooktop **MUST** be sufficiently ventilated.

Since the ventilation in the lower section of the appliance requires a sufficient supply of fresh air, the cabinet must be designed accordingly. The following is required for this:

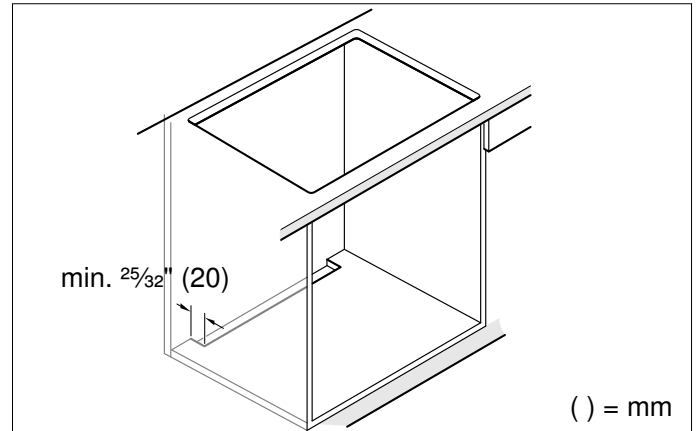
- A minimum clearance between the rear of the cupboard and the kitchen wall, and between the surface of the worktop and the upper area of the drawer.



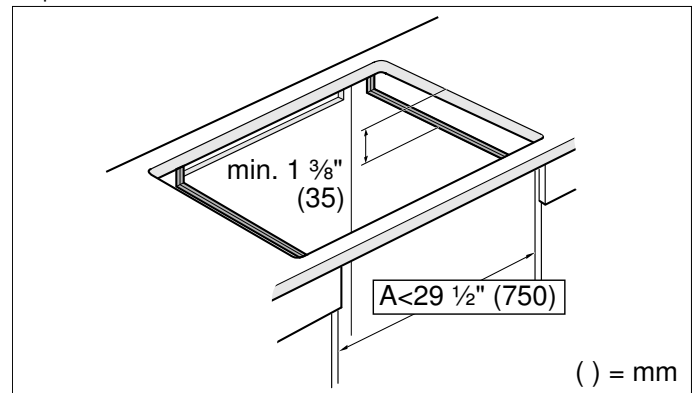
- An opening at the top to the rear of the cupboard.



- If the minimum clearance of  $25/32$  inch (20 mm) is not provided at the rear of the cupboard, you must create an opening on the underside.



- If the inside of the cupboard is no wider than  $29 1/2$  inch (750 mm), make cutouts in the side panels.



**Note:** If the appliance is installed in an island unit or another installation that is not described here, you must ensure that the cooktop is sufficiently ventilated.

# Installation Procedure

## ⚠ CAUTION

Sharp edges. Use protective gloves when installing the cooktop.

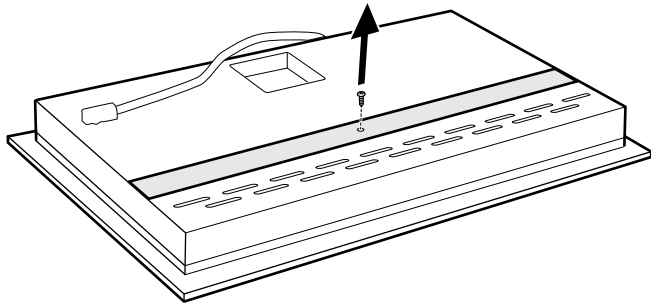
**Note:** The appliance is heavy. It is advisable to install it with a second person.

## Installing the heat shield

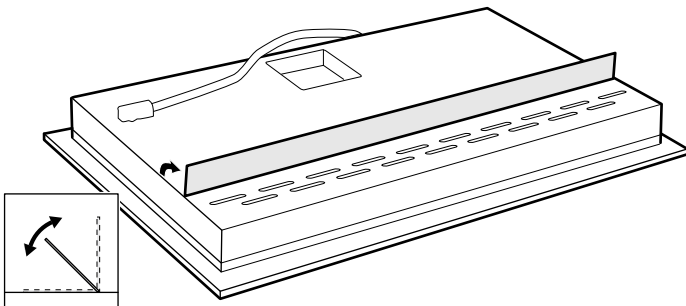
## ⚠ CAUTION

Sharp edges. Use protective gloves when installing the plate.

For safety reasons, the heat shield must be properly installed. This prevents components from overheating as a result of the recirculation of hot air from the cooktop. The heat shield is the same width as the cooktop. For shipping, it is screwed to the burner box. After unpacking the cooktop, unscrew the heat shield.



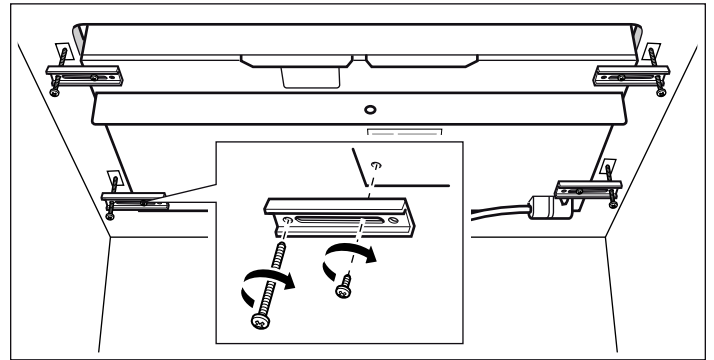
The heat shield will be able to rotate freely, as shown in the illustration.



## Secure the cooktop to countertop

## ⚠ CAUTION

Do not let the glass drop into place. Make sure that it is supported along a broad area of the edges when carefully placing the cooktop into the cutout.



The appliance must be secured from below using the hold down brackets provided so it does not slip.

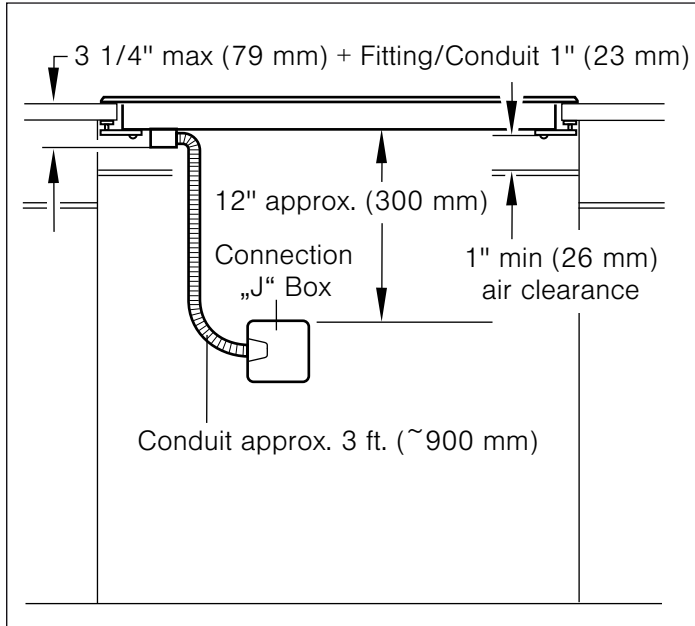
1. Rotate the appliance and fit it so that the screws provided are seated loosely in the holes. Move the hold down brackets so that the appliance can be placed in the cutout.
2. Place the appliance carefully into the cutout.
3. Insert the clamping screws into the hold down brackets and fix the appliance to the countertop. Tighten screws.

**Note:** Protect delicate countertops by placing a wooden disk underneath.

# Electrical Installation

## Electrical requirements

You can find the identification plate with the electrical specifications on the underside of the appliance. The junction box must be located within 3 feet of the cooktop connection. It should be easily accessible for service purposes.



## Power supply

NIT5068, NIT8068, NITP068 models ...

30 Amp circuit breaker  
240 Volts, 3 Wire, 60 Hz  
208 Volts, 3 Wire, 60 Hz

All with 39" (1m) flexible conduit (included)

NIT5668, NIT8668 models ...

40 Amp circuit breaker  
240 Volts, 3 Wire, 60 Hz  
208 Volts, 3 Wire, 60 Hz

All with 39" (1m) flexible conduit (included)

NITP668 models ...

50 Amp circuit breaker  
240 Volts, 3 Wire, 60 Hz  
208 Volts, 3 Wire, 60 Hz

All with 39" (1m) flexible conduit (included)

## Connect Electrical Supply

### ⚠ CAUTION

Before installing, turn off at the service panel. Lock service panel to prevent power from being turned on accidentally.

### ⚠ CAUTION

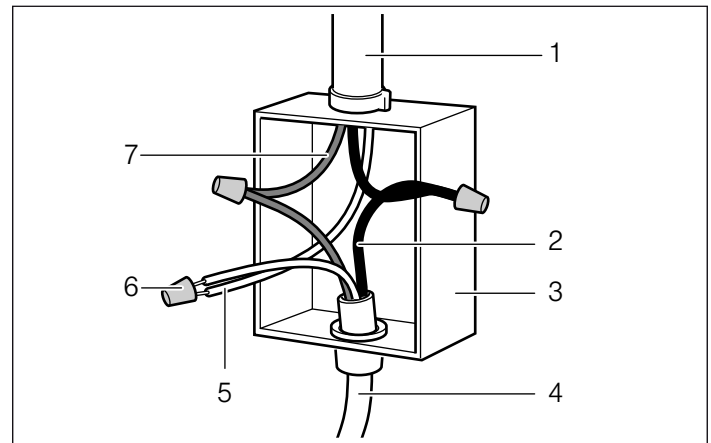
To reduce the risk of electric shock and fire, do not use a flexible power supply cord.

Refer to data plate for more information. See "Service" for data plate location.

The branch-circuit breakers ampacity, the wire sizes and the connections must conform to the requirements of the National Electrical Code or Canadian Electrical Code and all local codes and ordinances.

Attach flexible conduit to the junction box. Connect the lead wires to the junction box supply wires in proper phase:

- black (L1) to black
- red (L2) to red
- green or bare to ground



- |   |                              |
|---|------------------------------|
| 1 | House power supply cord      |
| 2 | Black wire                   |
| 3 | Junction box                 |
| 4 | Cooktop power supply cord    |
| 5 | Grounded green or bare cable |
| 6 | Certified UL connector       |
| 7 | Red wire                     |

If the cooktop is installed and connected as specified above, it will be completely grounded in compliance with the National Electrical Code.



## Check the Installation

### ▲ CAUTION

Before you plug in an electrical cord or turn on power supply, make sure all controls are in the OFF position.

Remove everything from the cooktop surface including stickers. Clean cooktop surface with cooktop cleaning creme.

Switch on the circuit breaker.

Verify that elements function properly.

## Technical service

Contact our Technical Service Department if your appliance needs repair. Our central Customer Service Center (see below) will also be happy to supply you with details on a center close to you.

### E number and FD number

When you contact our service, please have the Model (E) number and the FD number for your appliance available. You can find the identification plate with these numbers:

- in the appliance booklet
- on the underside of the appliance

You can also find the E number on the glass ceramic of your cooktop. You can check the Customer Service Index (TK) and the FD number in the basic settings. Please refer to the section on "Basis Settings" in your Use and Care manual.

Please note that a visit from an after-sales service engineer is not free of charge in the event of faulty operation of the appliance caused by the customer, even during the warranty period.

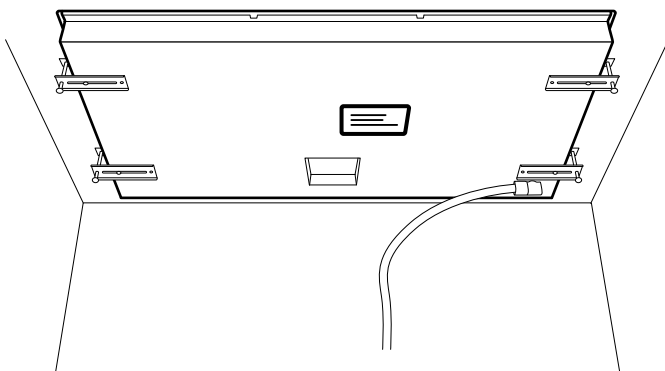
You can rely on the manufacturer's expertise. Rest assured that the repair will be handled by trained service technicians who have the original replacement parts for your appliance.

Please find the contact data of all countries in the enclosed customer service list.

800-944-2904

[www.bosch-home.com](http://www.bosch-home.com)

1901 Main Street, Suite 600  
Irvine, CA 92614



# Table des matières

<b>Définitions de sécurité</b> .....	<b>10</b>	<b>Préparation des meubles</b> .....	<b>14</b>
<b>CONSIGNES DE SÉCURITÉ IMPORTANTES</b> .....	<b>11</b>	Dimensions de la découpe pour tables de cuisson de 30 po .....	14
Codes et normes de sécurité .....	11	Dimensions de la découpe pour tables de cuisson de 36 po .....	15
Sécurité électrique .....	11	Ventilation .....	15
Équipement de sécurité .....	11	<b>Procédure d'installation</b> .....	<b>16</b>
Avertissements de la Proposition 65 de l'État de la Californie .....	12	Installation de l'écran pare-chaueur .....	16
<b>Avant de commencer</b> .....	<b>13</b>	Fixer la plaque au plan de travail .....	16
Outils et pièces nécessaires .....	13	<b>Installation électrique</b> .....	<b>17</b>
Pièces comprises .....	13	Critères électriques .....	17
Exigences pour les placards .....	13	Brancher l'alimentation électrique .....	17
Exigences pour le plan de travail .....	13	Vérification de l'installation .....	18
		<b>Service technique</b> .....	<b>18</b>

## Définitions de sécurité

---

### ▲ AVERTISSEMENT

---

Ceci indique que le non-respect de cet avertissement peut entraîner des blessures graves, voire la mort.

---

---

### ▲ ATTENTION

---

Ceci indique que le non-respect de cet avertissement peut entraîner des blessures légères ou de gravité moyenne.

---

**AVIS :** Ceci indique que la non-conformité à cet avis de sécurité peut entraîner des dégâts matériels ou endommager l'appareil.

**Remarque :** Ceci vous signale des informations et/ou indications importantes.

# **CONSIGNES DE SÉCURITÉ IMPORTANTES**

## LIRE ET CONSERVER CES INSTRUCTIONS

**IMPORTANT** : L'électroménager doit être installé par un installateur qualifié.

**INSTALLATEUR** : Laissez ces instructions d'installation avec cet appareil à l'intention du propriétaire. Montrez au propriétaire l'emplacement du disjoncteur ou du fusible. Identifiez sa position pour pouvoir le retrouver facilement.

**PROPRIÉTAIRE** : Prière de conserver ces instructions pour référence ultérieure.

---

### **AVERTISSEMENT**

Si l'information de ce guide n'est pas suivie exactement, il peut en résulter un incendie ou un choc électrique causant des dommages à la propriété, des blessures ou la mort.

---

### **AVERTISSEMENT**

Ne réparez, remplacez, ni ne retirez aucune partie de l'appareil, excepté si les manuels recommandent de le faire. Une installation, un entretien ou une inspection incorrects peuvent occasionner des blessures ou des dommages matériels. Reportez-vous au présent manuel pour obtenir des indications. Toute autre intervention doit être effectuée par un technicien agréé.

Enlever le ruban adhésif et l'emballage avant d'utiliser l'appareil. Détruire l'emballage après avoir déballé l'appareil. Ne jamais laisser les enfants jouer avec les matériaux de conditionnement.

Certaines surfaces peuvent avoir des bords tranchants. Faire attention en étendant le bras derrière l'appareil ou en dessous.

Cet appareil est conçu pour une utilisation jusqu'à une altitude maximale de 13 100 pieds (4 000 m).

Une installation non conforme peut entraîner la perte de la garantie.

### **Codes et normes de sécurité**

Cet appareil est conforme à une ou plusieurs des normes suivantes :

- **UL 858, norme pour la sécurité des cuisinières électriques domestiques**
- **UL 507, norme pour la sécurité des ventilateurs électriques**
- **CAN/CSA-C22.2 No. 113-M1984, Ventilateurs et soufflantes**
- **CAN/CSA-C22.2 No. 61-M89, Cuisinières pour usage ménager**

Il incombe au propriétaire et à l'installateur de déterminer si des exigences additionnelles et/ou normes s'appliquent pour des installations spécifiques.

## **Sécurité électrique**

---

### **AVERTISSEMENT**

Avant tout raccordement de cordon électrique ou toute mise sous tension, assurez-vous que toutes les commandes sont en position OFF (d'arrêt).

S'il y a lieu, conformément au Code national de l'électricité (ou au Code canadien de l'électricité), cet appareil doit être installé sur un circuit de dérivation séparé.

Le disjoncteur doit avoir une séparation de contact de 3 mm. minimum pour tous les pôles.

S'assurer que l'appareil est installé et mis à la terre par un technicien qualifié. L'installation, les connexions électriques et la mise à la terre doivent être conformes à tous les codes applicables.

Avant l'installation, mettre l'appareil hors service au panneau de service. Verrouiller le panneau d'entrée d'électricité pour éviter que le courant ne soit accidentellement rétabli.

---

### **AVERTISSEMENT**

**UNE MISE À LA TERRE INADÉQUATE PEUT ENTRAÎNER UN RISQUE D'ÉLECTROCUTION**



Consultez un électricien qualifié si vous ne comprenez pas parfaitement les instructions de mise à la terre ou si vous avez des doutes concernant une mise à la terre appropriée.

**NE PAS UTILISER DE RALLONGE.**

---

## **Équipement de sécurité**

L'utilisation sécuritaire n'est garantie que si l'installation de la table de cuisson se fait par un installateur ou technicien agréé conformément à ces instructions. L'installateur est responsable de tout dommage résultant d'une installation incorrecte.

Ne jamais modifier ni altérer la configuration de l'appareil. Par exemple, ne pas retirer les pieds de nivellement, les panneaux, les couvercles de câblage ou les fixations/vis antibasculement.

Pour éliminer le risque de brûlures ou d'incendie lorsque l'on allonge le bras au-dessus des éléments de surface chauds, éviter d'installer des placards au-dessus des éléments de surface. Si l'installation de placards est prévue, le risque peut être réduit en installant une hotte aspirante qui dépasse horizontalement d'au moins 5 po (127 mm) la base du placard.

Vérifiez que la profondeur des armoires situées au-dessus de la table de cuisson ne dépasse pas 13 po (330 mm).

# **CONSIGNES DE SÉCURITÉ IMPORTANTES**

## LIRE ET CONSERVER CES INSTRUCTIONS

La pose d'un appareil de réfrigération, d'un lave-vaisselle, d'un four non ventilé ou d'un lave-linge sous la table de cuisson n'est pas autorisée.

**Remarque :** Nous recommandons vivement l'installation d'un système de ventilation avec cet appareil ménager.

### **Avertissements de la Proposition 65 de l'État de la Californie**

---

#### **AVERTISSEMENT**

---

Ce produit contient des produits chimiques connus de l'État de la Californie pour causer le cancer, des anomalies congénitales ou d'autres problèmes de reproduction.

---

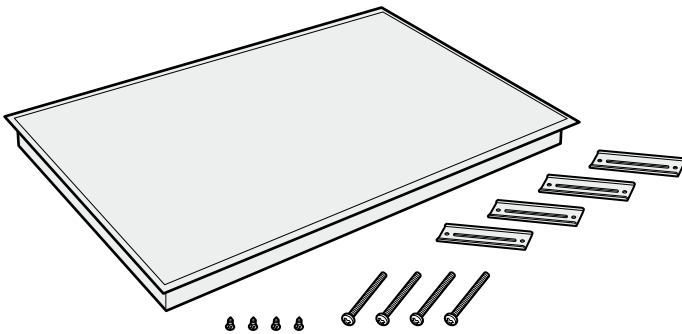
# Avant de commencer

## Outils et pièces nécessaires

- Tournevis à tête Philips
- Crayon
- Perceuse avec broche de 6 mm
- Scie sauteuse
- Mètre ruban

**Remarque :** Il faudra éventuellement avoir recours à d'autres matériaux pour l'installation sur des surfaces de travail solides. Prendre contact avec le fabricant de la surface de travail.

## Pièces comprises

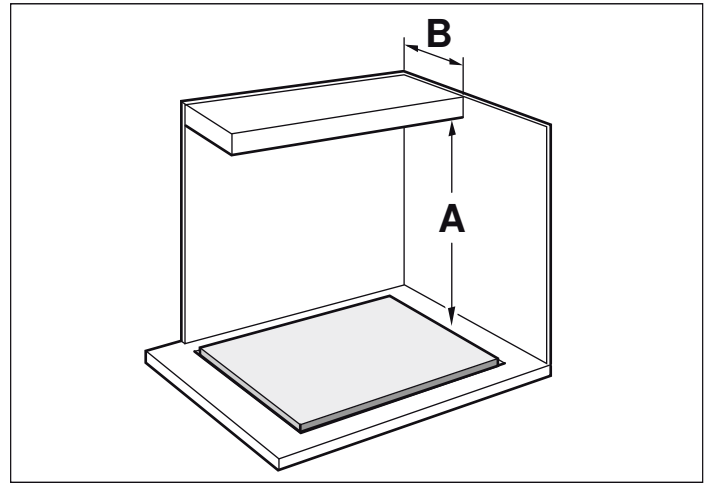


- Hold down brackets (4)
- Clamping screws #10-32 x 2 1/2" (63.8 mm) (4)
- Sheet metal screws #8 x 3/8" (9.5 mm) (4)

## Exigences pour les placards

La distance du haut de la table de cuisson au bas des armoires au-dessus doit être au minimum de A=30 po (762 mm). Cette distance peut être réduite à A=24 po (610 mm) quand le bas de l'armoire en bois ou en métal est protégé par du carton enroulé ignifuge d'un minimum de 1/4 po (6,35 mm), lequel est recouvert au minimum de tôle de calibre 28, d'acier inoxydable de 0,015 po (0,4 mm), d'aluminium de 0,024 po (0,6 mm) ou de cuivre de 0,020 po (0,5 mm).

Vérifiez que la profondeur des armoires au-dessus de la table de cuisson est au maximum de B=13 po (330 mm).



## Exigences pour le plan de travail

### ▲ AVERTISSEMENT

Pour réduire le risque d'inflammation des matériaux combustibles adjacents, l'installation doit laisser un dégagement d'au moins 2 po (51 mm) entre la table de cuisson et les murs latéraux et arrière.

Le plan de travail doit être horizontal et plan. Veiller à la stabilité du plan de travail, même après avoir creusé le trou.

Certains plans de travail à haute résistance requièrent souvent des aménagements spéciaux. Par exemple, une bande thermoréfléchissante et des coins arrondis peuvent être nécessaires. Contacter le fabricant du plan de travail pour obtenir des précisions.

# Préparation des meubles

Réaliser la découpe pour l'appareil dans le plan de travail, selon le schéma de pose. L'angle du chant de coupe doit être de 90° par rapport au plan de travail. Les bords de coupe latéraux doivent être plans afin de garantir le positionnement correct des ressorts de serrage sur l'appareil. Si le plan de travail est constitué d'un matériau multicouche, fixer le cas échéant des baguettes sur les côtés de la découpe.

Après les opérations de découpe, éliminer les copeaux. Sceller les chants de coupe avec un produit assurant leur résistance à la chaleur et l'humidité.

Respecter entre le dessous de l'appareil et les meubles voisins une distance minimale de  $\frac{3}{8}$ " (10 mm).

Le plan de travail qui accueillera la table de cuisson doit résister à des températures allant jusqu'à 140° F (90 °C).

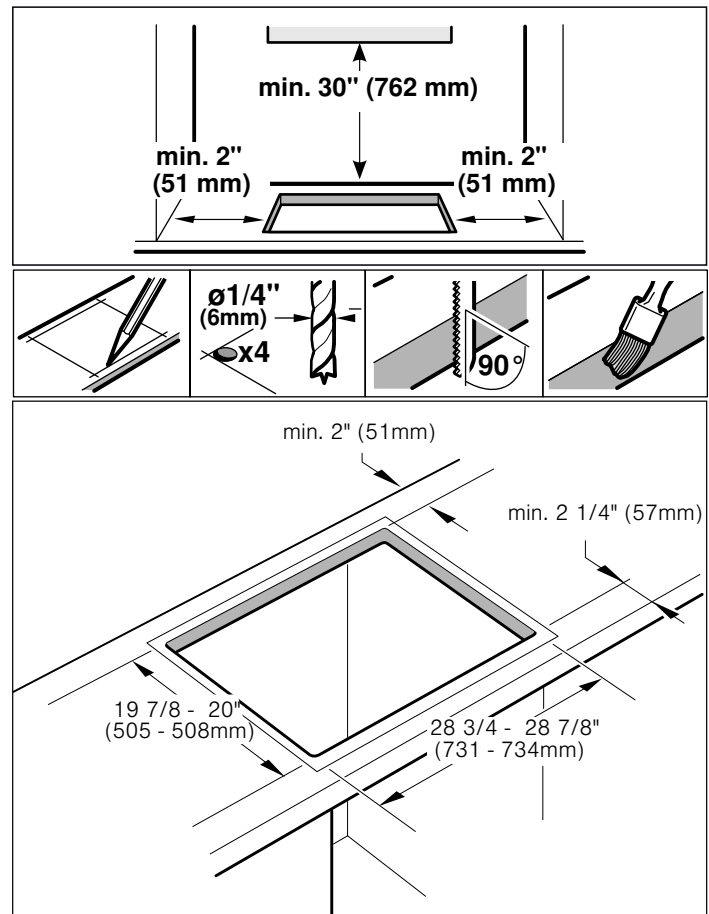
Le plan de travail doit être renforcé si son épaisseur est de moins de 20 mm ( $\frac{4}{5}$  po).

Si l'épaisseur du plan de travail qui accueillera la table de cuisson ne respecte pas les spécifications, renforcez le plan de travail à l'aide d'un matériau résistant à l'eau et au feu jusqu'à atteindre l'épaisseur minimale. Sinon, vous pourriez ne pas obtenir une stabilité adéquate.

- Le plan de travail qui accueillera la table de cuisson doit pouvoir résister à des charges d'environ 60 kg (133 lbs).
- Vérifiez que la table de cuisson est uniforme uniquement après son installation.

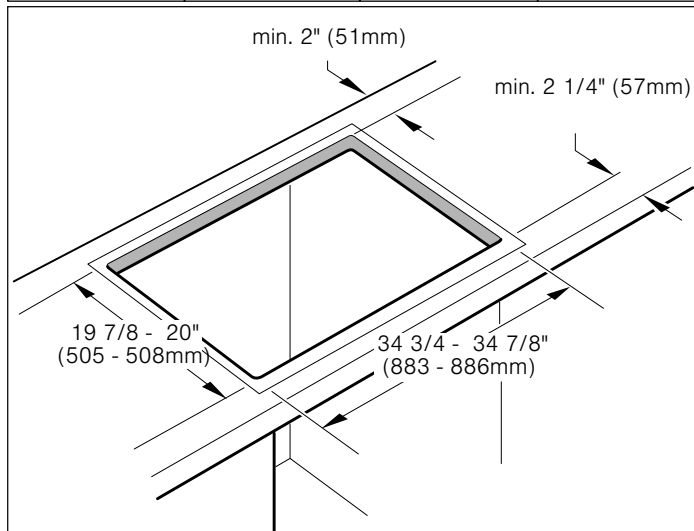
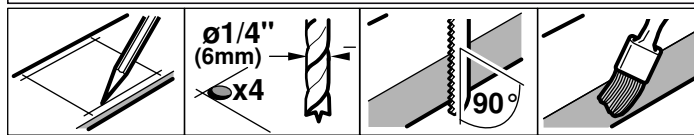
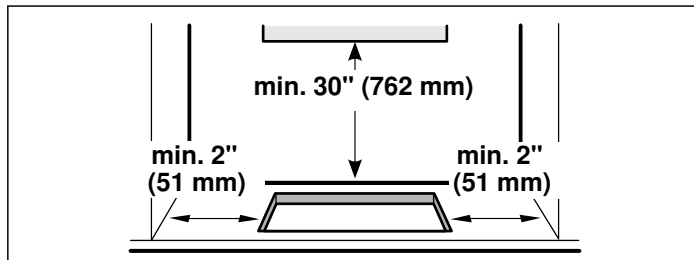
## Dimensions de la découpe pour tables de cuisson de 30 po

Modèles: NIT5068UC, NIT8068SUC, NIT8068UC, NITP068SUC, NITP068UC



## Dimensions de la découpe pour tables de cuisson de 36 po

Modèles: NIT5668UC, NIT8668SUC, NIT8668UC, NITP668SUC, NITP668UC

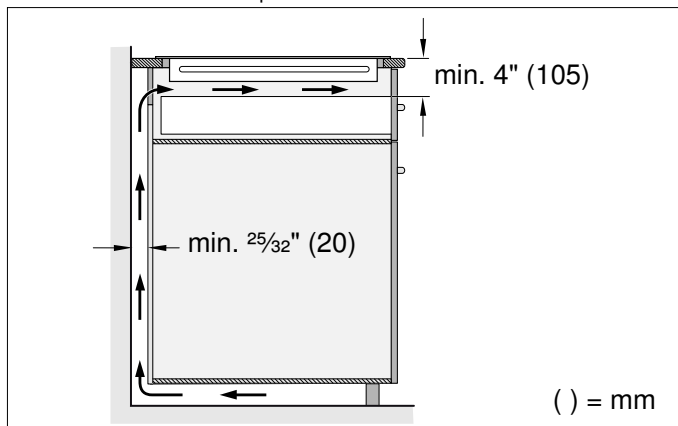


## Ventilation

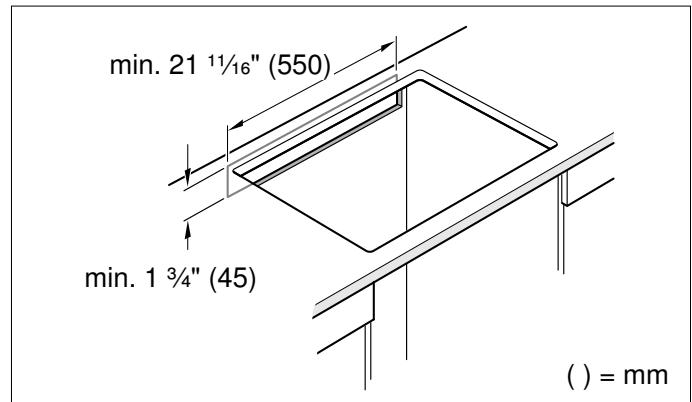
Pour assurer un fonctionnement adéquat de l'appareil, la table de cuisson **DOIT** être suffisamment ventilée.

Puisque la ventilation dans la section inférieure de l'appareil nécessite un débit d'air frais suffisant, le caisson doit être conçu de façon appropriée. Pour y parvenir, veuillez respecter les exigences suivantes :

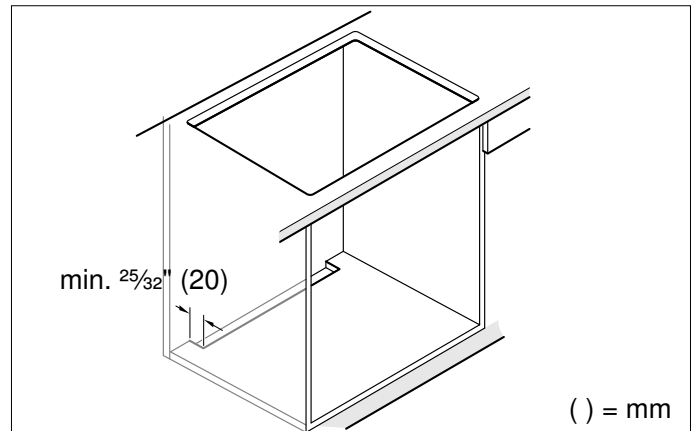
- Un espacement minimal entre l'arrière de l'armoire et le mur de la cuisine et entre la surface du plan de travail et la zone supérieure du tiroir.



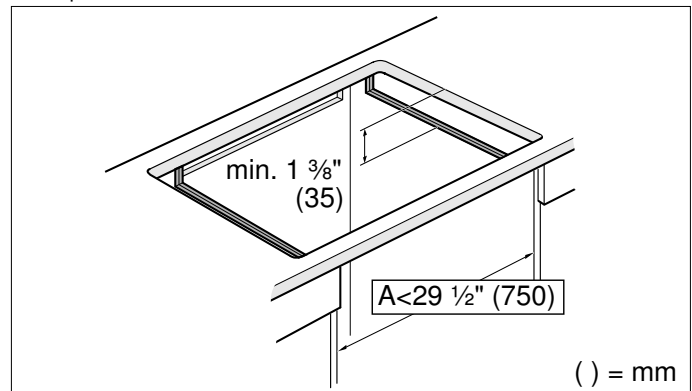
- Une ouverture sur le dessus à l'arrière de l'armoire.



- Si l'espacement minimal de 20 mm ( $25/32$  po) n'est pas présent à l'arrière de l'armoire, vous devez pratiquer une ouverture sur le dessous.



- Si l'intérieur de l'armoire n'est pas plus large que 750 mm ( $29 1/2$  po), pratiquez des découpes dans les panneaux latéraux.



**Remarque :** Si l'appareil est installé dans un îlot ou un autre type d'installation qui n'est pas décrit dans le présent document, vous devez vous assurer que la table de cuisson est dotée d'une ventilation appropriée.

# Procédure d'installation

## ▲ ATTENTION

Bords coupants. Mettre des gants de protection pendant l'installation de la table de cuisson.

**Remarque :** L'appareil est lourd. Pour l'insérer dans la découpe, faites-vous aider par une autre personne.

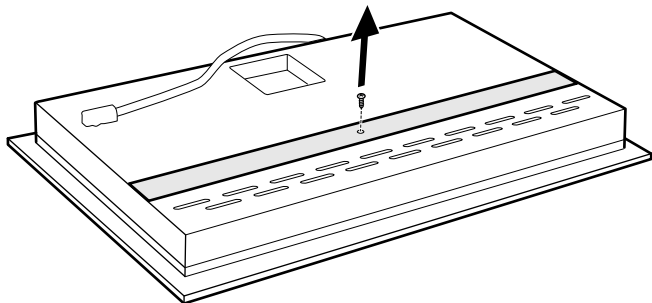
## Installation de l'écran pare-chaueur

### ▲ ATTENTION

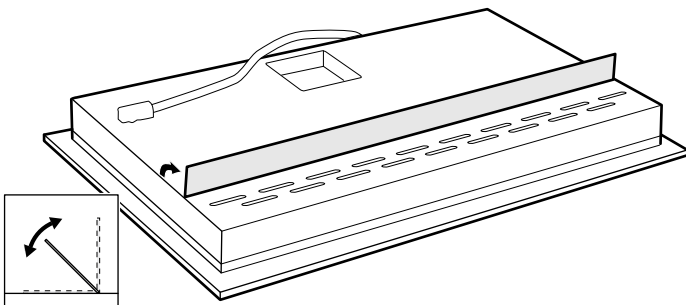
Bords coupants. Utiliser des gants de protection pour installer la table.

Pour des raisons de sécurité, le déflecteur métallique doit être installé correctement. Ceci afin d'éviter la recirculation de l'air chaud en provenance de la plaque de cuisson ainsi que la surchauffe de ses composants. Le déflecteur métallique est aussi large que la plaque de cuisson. Pour le transport, le déflecteur est vissé à la tôle enveloppante.

Après le déballage de la plaque de cuisson, dévisser le déflecteur métallique (voir image).



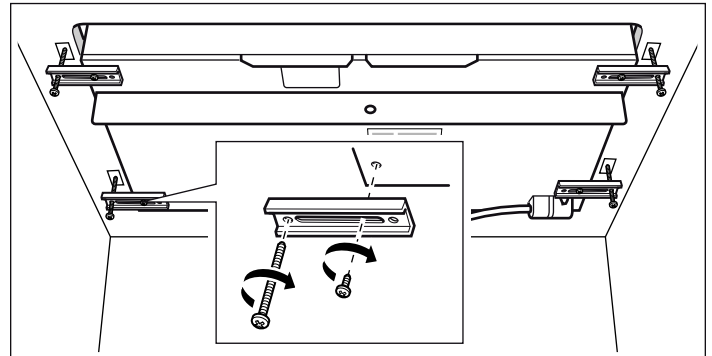
Le déflecteur métallique pourra tourner librement, comme le montre l'image.



## Fixer la plaque au plan de travail

### ▲ ATTENTION

Ne laissez pas "tomber" le verre de la plaque sur son emplacement, il doit être supporté sur tout son périmètre par une large surface des bords au moment de "placer" la table de cuisson sur la découpe.



L'appareil doit être fixé au plan de travail pour éviter le glissement avec les supports de fixation fournis.

1. Retourner la plaque et fixer les supports légèrement à l'aide des vis fournies. Déplacer les supports de fixation au mode que l'appareil puisse être placé dans la cavité.
2. Placer la plaque dans la cavité.
3. Introduire les vis de fixation dans le support et fixer la plaque au plan de travail. Serrer les vis.

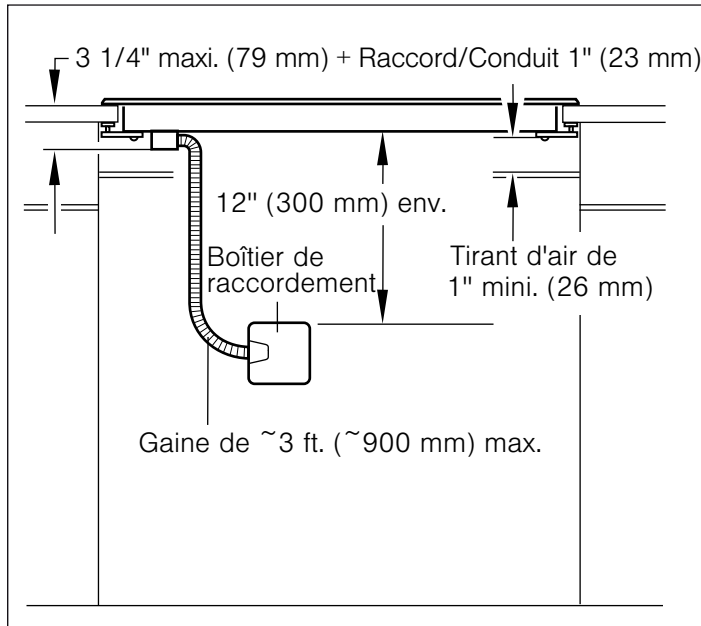
**Remarque :** Utiliser un bloc en bois pour protéger les matériaux fragiles du plan de travail.



# Installation électrique

## Critères électriques

Ces caractéristiques techniques figurent sur la plaque d'identification au bas de l'appareil ménager. Le boîtier de dérivation doit être placé à ~900 mm max. du branchement de la plaque. On doit pouvoir y accéder facilement pour effectuer les réparations.



## Alimentation électrique

Modèles NIT5068..., NIT8068..., NITP068...

Disjoncteur de 30 A  
240 Volts, 3 Fils, 60 Hz  
208 Volts, 3 Fils, 60 Hz

Tous avec conduit flexible de 1m. inclus

Modèles NIT5668..., NIT8668...

Disjoncteur de 40 A  
240 Volts, 3 Fils, 60 Hz  
208 Volts, 3 Fils, 60 Hz

Tous avec conduit flexible de 1m. inclus

Modèles NITP668...

Disjoncteur de 50 A  
240 Volts, 3 Fils, 60 Hz  
208 Volts, 3 Fils, 60 Hz

Tous avec conduit flexible de 1m. inclus

## Brancher l'alimentation électrique

### ⚠ ATTENTION

Avant l'installation, éteindre le disjoncteur du panneau de service. Attacher le disjoncteur pour empêcher qu'il allume accidentellement l'alimentation électrique.

### ⚠ ATTENTION

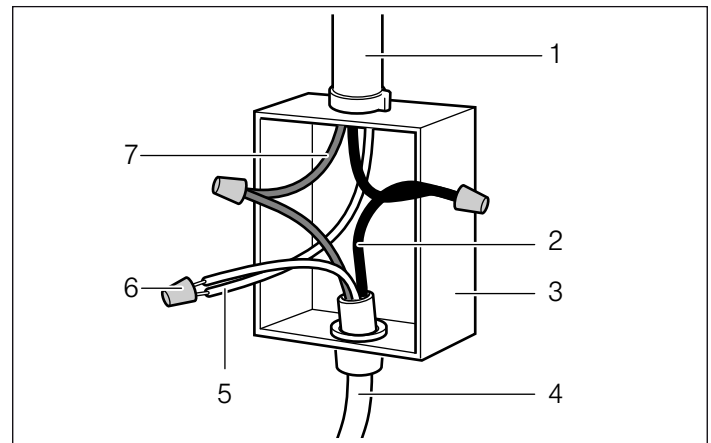
pour réduire le risque d'électrocution et d'incendie, n'utilisez pas de câble d'alimentation électrique flexible.

Consulter la plaque signalétique pour en savoir plus. Pour savoir où se trouve la plaque signalétique, se reporter à la rubrique "Service après-vente".

Le courant admissible des disjoncteurs divisionnaires, la taille des câbles et les connexions doivent être conformes aux exigences du Code électrique national ou du Code électrique canadien ainsi qu'à tous les codes et règlements locaux.

Brancher le conduit souple à la boîte de jonction. Brancher les fils de sortie aux fils d'alimentation de la boîte de jonction en respectant les phases :

- noir (L1) avec noir
- rouge (L2) avec rouge
- vert ou dénudé avec la terre



- |   |                                               |
|---|-----------------------------------------------|
| 1 | Câble d'alimentation de courant de la maison  |
| 2 | Câble noir                                    |
| 3 | Boîtier de dérivation                         |
| 4 | Câble d'alimentation de courante de la plaque |
| 5 | Câble vert ou dénudé de connexion à la terre  |
| 6 | Connecteur UL certifié                        |
| 7 | Câble rouge                                   |

Si la plaque est installée et raccordée comme il a été spécifié précédemment, elle sera entièrement raccordée à la terre, conformément au Code national électrique.

## Vérification de l'installation

### ⚠ ATTENTION

Avant de brancher le cordon électrique ou de mettre sous tension la source d'alimentation, vérifiez que toutes les commandes sont à la position OFF (Arrêt).

Tout enlever de la surface de la table de cuisson, y compris autocollants. Nettoyer la surface de la table de cuisson à l'aide d'une crème de nettoyage pour table de cuisson.

Mettre le disjoncteur en circuit.

Vérifier que les éléments fonctionnent correctement.

## Service technique

Contactez notre département du service technique si votre appareil a besoin d'être réparé. Notre centre de service à la clientèle (voyez ci-dessous) se fera un plaisir de vous communiquer les coordonnées d'un centre près de chez vous.

### Numéro E et numéro FD:

Quand vous contactez notre service, veuillez avoir à portée de main le numéro de modèle (E) et le numéro FD de votre appareil.

Vous pouvez trouver la plaque d'identification avec ces numéros :

- dans le manuel de l'appareil
- sur le dessous de l'appareil

Vous pouvez également trouver le numéro de modèle E sur la vitrocéramique de votre table de cuisson. Vous pouvez consulter le répertoire du service après-vente (TK) et le numéro FD dans les réglages de base. Veuillez consulter la section "Réglages de base" dans les Notices d'utilisation.

Veuillez noter qu'une visite d'un technicien du service après-vente n'est pas gratuite dans le cas d'une utilisation incorrecte de l'appareil effectuée par le consommateur, même durant la période de garantie.

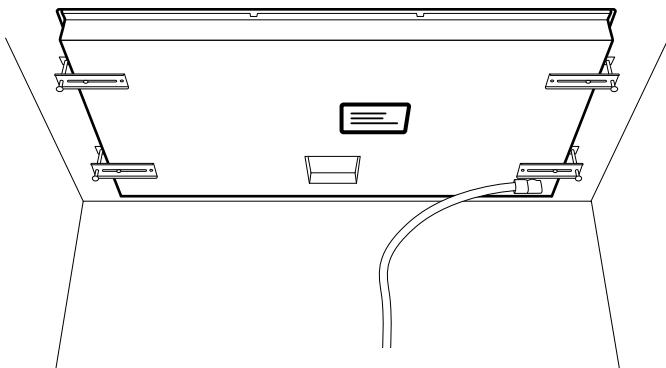
Vous pouvez compter sur l'expertise du fabricant. Soyez assuré que la réparation sera prise en charge par des techniciens de réparation formés qui possèdent les pièces de rechange d'origine pour votre appareil.

Vous trouverez les coordonnées pour tous les pays dans la liste du service après-vente ci-inclus.

800-944-2904

[www.bosch-home.com](http://www.bosch-home.com)

1901 Main Street, Suite 600  
Irvine, CA 92614



# Índice

<b>Definiciones de seguridad .....</b>	<b>19</b>	<b>Preparación de los muebles de montaje .....</b>	<b>23</b>
<b>INSTRUCCIONES DE SEGURIDAD IMPORTANTES ..</b>	<b>20</b>	Dimensiones del hueco para placas de 30 in .....	23
Códigos y normas de seguridad .....	20	Dimensiones del hueco para placas de 36 in .....	24
Seguridad eléctrica .....	20	Ventilación .....	24
Seguridad del equipo relacionado .....	20	<b>Procedimiento de instalación .....</b>	<b>25</b>
Advertencias en virtud de la Proposición 65 del estado de California .....	21	Instalación del protector térmico .....	25
<b>Antes de empezar .....</b>	<b>22</b>	Asegure la placa a la superficie de trabajo .....	25
Herramientas y piezas necesarias .....	22	<b>Instalación eléctrica .....</b>	<b>26</b>
Piezas incluidas .....	22	Requisitos eléctricos .....	26
Requisitos de gabinetes .....	22	Conexión de la alimentación eléctrica .....	26
Requisitos de la superficie de trabajo .....	22	Pruebe la instalación .....	27
		<b>Servicio técnico .....</b>	<b>27</b>

## Definiciones de seguridad

---

### ▲ ADVERTENCIA

---

Esto indica que pueden producirse heridas graves o incluso la muerte si no se cumple con esta advertencia.

---

---

### ▲ ATENCION

---

Esto indica que pueden producirse heridas leves o moderadas si no se cumple con esta advertencia.

---

**AVISO:** Esto indica que pueden producirse daños en el aparato o en los bienes si no se cumple con este aviso.

**Nota:** Esto alerta sobre información o sugerencias importantes.

# INSTRUCCIONES DE SEGURIDAD IMPORTANTES

## LEA Y CONSERVE ESTAS INSTRUCCIONES

**IMPORTANTE:** el montaje del electrodoméstico debe realizarlo un instalador calificado.

**INSTALADOR:** dejar estas instrucciones con esta unidad para el propietario. Mostrar al propietario la ubicación del breaker o del fusible. Marcarla para recordar más fácilmente.

**PROPIETARIO:** Conservar estas instrucciones para referencia futura.

---

### ADVERTENCIA

Si no sigue la información de este manual exactamente, se puede ocasionar un incendio o una descarga eléctrica que puede causar daños materiales o lesiones personales.

---

### ADVERTENCIA

No reparar, sustituir ni quitar ninguna pieza del electrodoméstico a menos que se recomiende de forma específica en los manuales. Una instalación, servicio o mantenimiento inadecuados pueden causar lesiones o daños materiales. Consultar este manual para recibir ayuda. Todos los demás servicios debe realizarlos un agente autorizado.

Retire toda la cinta y el embalaje antes de usar el electrodoméstico. Destruya el embalaje después de desembalar el electrodoméstico. Nunca deje que los niños jueguen con el material de embalaje.

Las superficies ocultas pueden tener bordes filosos. Proceda con cuidado al intentar tomar el electrodoméstico por la parte trasera o desde abajo.

Este aparato está previsto para ser utilizado a una altura máxima de 13,100 pies (4,000 metros) sobre el nivel del mar.

Una instalación inadecuada puede significar perder el derecho a hacer válida la garantía del producto.

### Códigos y normas de seguridad

Este electrodoméstico cumple con una o más de las siguientes normas:

- **UL 858, Norma de seguridad para estufas eléctricas de uso doméstico (Standard for the Safety of Household Electric Ranges)**
- **UL 507, Norma de seguridad para ventiladores eléctricos (Standard for the Safety of Electric Fans)**
- **CAN/CSA-C22.2 N.º 113-M1984, Ventiladores (Fans and Ventilators)**
- **CAN/CSA-C22.2 N.º 61-M89, Estufas de uso doméstico (Household Cooking Ranges)**

Es responsabilidad del propietario y del instalador determinar si se aplican otros requisitos y/o normas en instalaciones específicas.

## Seguridad eléctrica

---

### ADVERTENCIA

Antes de enchufar un cable eléctrico o activar el suministro eléctrico, asegurarse de que todos los controles están en la posición OFF.

Si el Código Nacional Eléctrico (o el Código Eléctrico Canadiense) así lo requiere, este electrodoméstico debe instalarse en un circuito derivado por separado.

El disyuntor debe tener una separación de contacto de, al menos, 3 mm en todos los polos.

Asegúrese de que el electrodoméstico sea correctamente instalado y conectado a tierra por un técnico calificado. La instalación, las conexiones eléctricas y la conexión a tierra deben cumplir con todos los códigos correspondientes.

Antes de realizar la instalación, apague la alimentación eléctrica en el panel de servicio. Trabe el panel de servicio para impedir que se encienda accidentalmente la alimentación eléctrica.

---

### ADVERTENCIA

LA CONEXIÓN INCORRECTA A TIERRA PUEDE CAUSAR UNA DESCARGA ELÉCTRICA



Consulte a un electricista calificado si no comprende la totalidad de las instrucciones de conexión a tierra o si tiene alguna duda respecto de si el aparato está correctamente conectado a tierra. **NO USAR UN CABLE DE EXTENSIÓN.**

---

## Seguridad del equipo relacionado

Se garantiza la seguridad de uso de la placa solamente si es instalada por un instalador o agente autorizado de acuerdo con estas instrucciones de instalación. El instalador es responsable de cualquier daño que se produzca debido a la instalación incorrecta.

Nunca modifique ni altere la construcción del electrodoméstico. Por ejemplo, no retire las patas niveladoras, paneles, cubiertas para cables ni soportes/tornillos antivuelco.

Para eliminar el riesgo de quemaduras o incendio al tocar unidades de la superficie calentadas, se debe evitar dejar espacio de almacenamiento en gabinetes sobre las unidades de la superficie. En el caso de que haya almacenamiento en gabinetes, se puede reducir el riesgo instalando una campana que se proyecte horizontalmente 5 pulgadas (127 mm) como mínimo de la parte inferior del gabinete.

Verifique que los gabinetes que se encuentran sobre la placa tengan 13 pulg. (330 mm) de profundidad como máximo.

# INSTRUCCIONES DE SEGURIDAD IMPORTANTES

## LEA Y CONSERVE ESTAS INSTRUCCIONES

Debajo de la placa de cocción no se pueden montar neveras, lavavajillas, hornos si ventilación ni lavadoras.

**Nota:** Recomendamos categóricamente la instalación de un sistema de ventilación con este electrodoméstico.

### **Advertencias en virtud de la Proposición 65 del estado de California**

---

#### **ADVERTENCIA**

---

Este producto contiene una o más sustancias químicas que el estado de California sabe que provocan cáncer, defectos congénitos, u otro daño reproductivo.

---

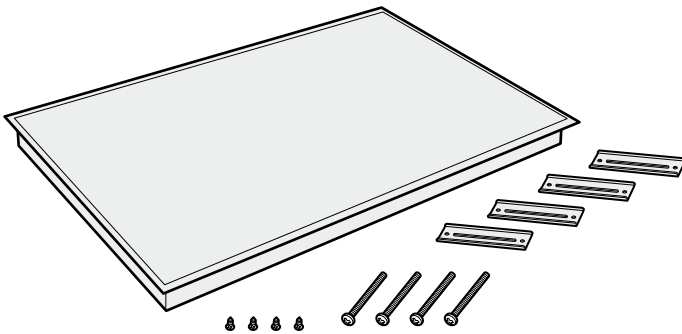
# Antes de empezar

## Herramientas y piezas necesarias

- Destornadillor con cabeza Philips
- Lápiz
- Taladro con broca de 1/4" (6 mm)
- Sierra caladora
- Cinta métrica

**Nota:** Es posible que se necesiten otros materiales para la instalación en superficies de trabajo sólidas. Comuníquese con el fabricante de la superficie de trabajo.

## Piezas incluidas

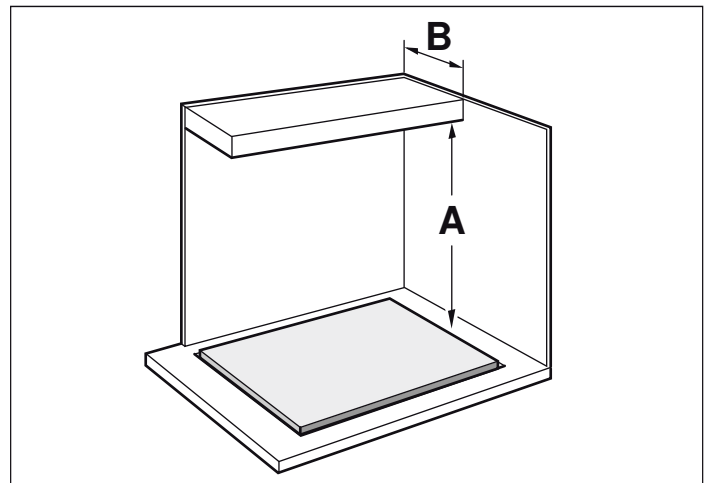


- Hold down brackets (4)
- Clamping screws #10-32 x 2 1/2" (63.8 mm) (4)
- Sheet metal screws #8 x 3/8" (9.5 mm) (4)

## Requisitos de gabinetes

La distancia desde la parte superior de la placa hasta la parte inferior de los gabinetes que se encuentran arriba debe ser, como mínimo, de  $A = 30$  in (762 mm). Puede reducirse esta distancia a  $A = 24$  in (610 mm) si la parte inferior del gabinete de madera o de metal está protegida con cartón ignífugo de, como mínimo, 1/4 in (6.35 mm) cubierto con una placa metálica de, al menos, calibre 28, acero inoxidable de 0.015 in (0.4 mm), aluminio de 0.024 in (0.6 mm) o cobre de 0.020 in (0.5 mm).

Verifique que los gabinetes que se encuentran arriba de la placa tengan, como máximo, 13 in (330 mm) de profundidad.



## Requisitos de la superficie de trabajo

### ⚠ ADVERTENCIA

Para reducir el riesgo de ignición de materiales combustibles circundantes, instale la superficie de trabajo con una distancia de, al menos, 2" (51 mm) de ambas paredes laterales y de la pared posterior.

La superficie de trabajo debe ser horizontal y estar nivelada. La estabilidad de la superficie de trabajo debe estar garantizada incluso después de haber realizado el hueco.

Por norma general, las encimeras de superficie sólida requieren instalaciones especiales. Por ejemplo, es posible que se deba utilizar cinta ignífuga y esquinas redondeadas. Póngase en contacto con el fabricante de su encimera para obtener instrucciones sobre la misma.

# Preparación de los muebles de montaje

Realice el recorte para el aparato en la encimera según el croquis de montaje. El ángulo de la superficie de corte respecto a la encimera deberá ser de 90°.

Los bordes de recorte laterales deben ser planos para garantizar que los muelles de retención se asienten correctamente en el aparato. En las encimeras de varias capas, fije regletas laterales en el recorte según sea necesario.

Elimine la viruta después de los trabajos de recorte. Selle las superficies de corte que sean resistentes al calor y la humedad.

Respete una distancia mínima de  $\frac{3}{8}$ " (10 mm) entre la parte inferior del aparato y los muebles.

La cubierta en la que está instalada la placa de cocción debe ser resistente al calor y debe soportar temperaturas de hasta 140° F (90 °C).

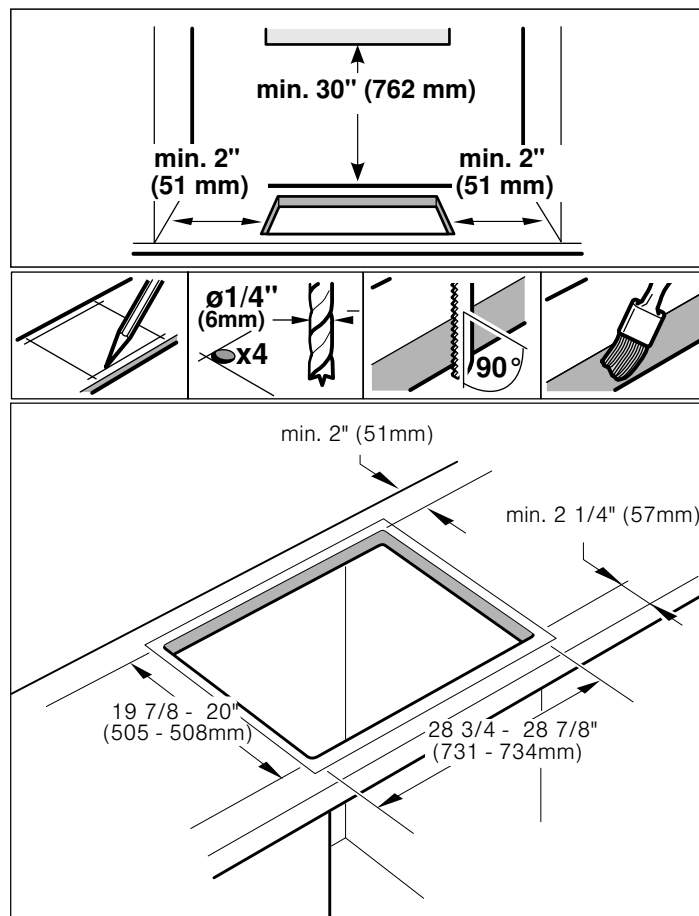
La cubierta debe estar reforzada si tiene menos de  $\frac{4}{5}$  de pulgada (20 mm) de espesor.

Si el espesor de la cubierta en la que está instalada la placa de cocción no cumple con las especificaciones, se debe reforzar utilizando un material resistente al fuego y al agua hasta que alcance el espesor mínimo. De lo contrario, no se garantizará la suficiente estabilidad.

- La cubierta en la que está instalada la placa de cocción debe resistir cargas de aproximadamente 133 libras (60 kg).
- Revisar solamente la uniformidad de la placa después de que ha sido instalada.

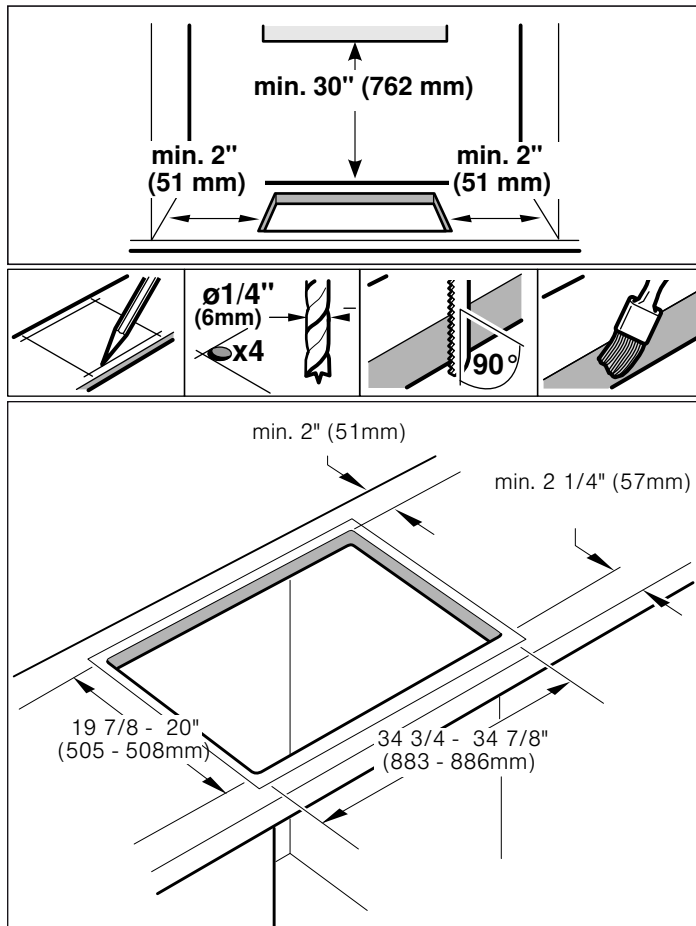
## Dimensiones del hueco para placas de 30 in

Modelos: NIT5068UC, NIT8068SUC, NIT8068UC, NITP068SUC, NITP068UC



## Dimensiones del hueco para placas de 36 in

Modelos: NIT5668UC, NIT8668SUC, NIT8668UC, NITP668SUC, NITP668UC

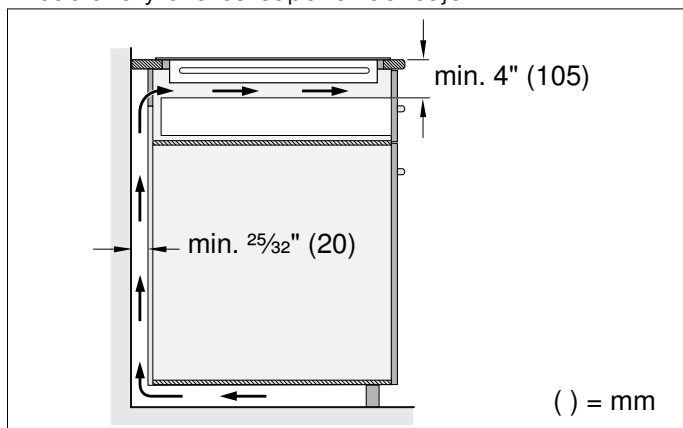


## Ventilación

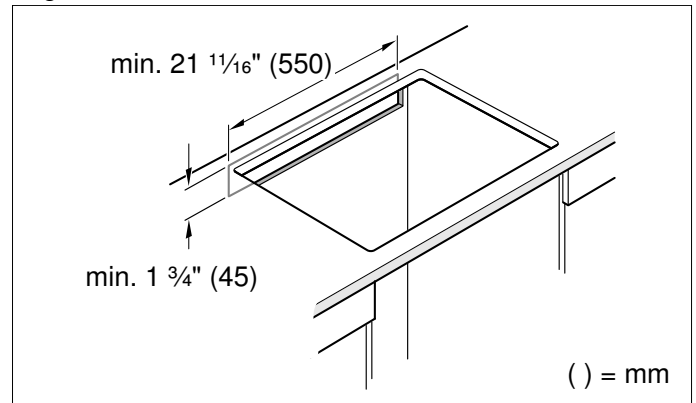
Para garantizar que el aparato funciona correctamente, la placa de cocción **DEBE** estar lo suficientemente ventilada.

Dado que la ventilación en la sección inferior del aparato electrodoméstico requiere suficiente suministro de aire fresco, el gabinete debe estar diseñado apropiadamente. Para ello, se requiere lo siguiente:

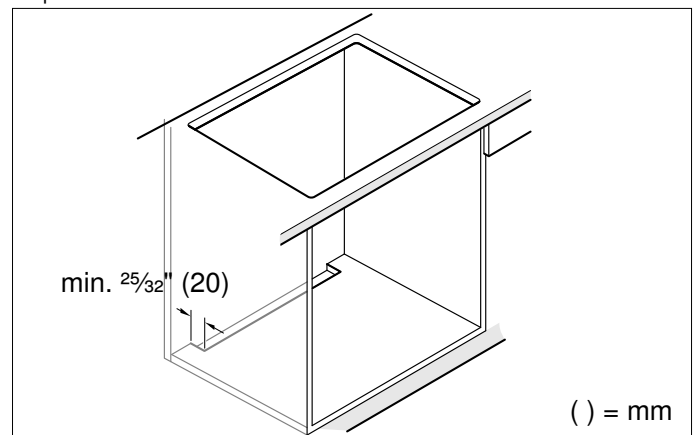
- Un espacio mínimo entre la parte trasera del gabinete y la pared de la cocina, y entre la superficie de la cubierta y el área superior del cajón.



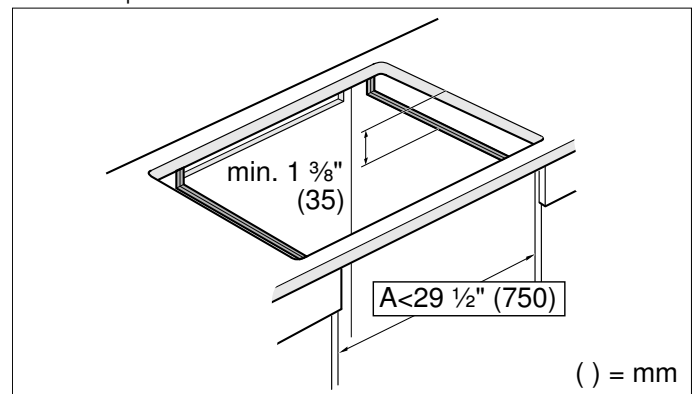
- Una abertura en la parte superior a la parte inferior del gabinete.



- Si no se proporciona un espacio mínimo de  $25/32$  pulgadas (20 mm) en la parte trasera del gabinete, entonces se deberá crear una abertura en la parte inferior.



- Si el interior del gabinete no tiene una anchura mayor a  $29 1/2$  pulgadas (750 mm), se deben hacer cortes en los paneles laterales.



**Nota:** Si el aparato electrodoméstico se instalada en una unidad de isla u otra instalación que no se describe aquí, deberá asegurarse de que la placa de cocción esté suficientemente ventilada.



# Procedimiento de instalación

## ⚠ ATENCION

Bordes afilados. Use guantes de protección al instalar la placa.

**Nota:** El aparato pesa demasiado. Se aconseja dos personas para insertarlo.

## Instalación del protector térmico

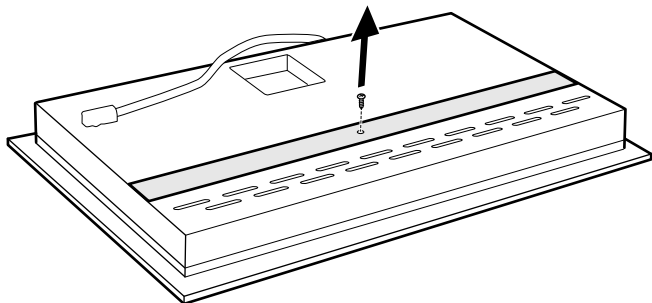
### ⚠ ATENCION

Bordes afilados. Utilice guantes de protección para instalar la placa.

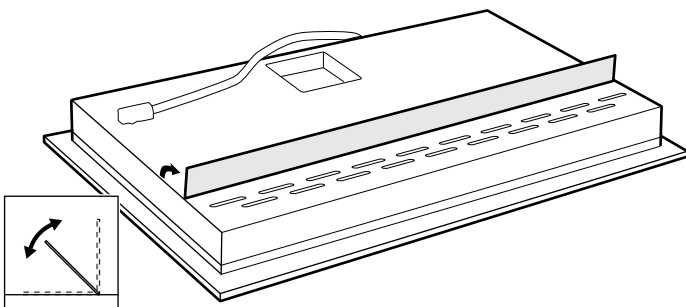
Por razones de seguridad, el deflector metálico debe instalarse correctamente. De esta forma, se impide la recirculación de aire caliente procedente de la placa de cocción, y se evita el sobrecalentamiento de sus componentes.

El deflector metálico tiene la misma anchura que la placa de cocción. Para su transporte, el deflector se encuentra atornillado a la chapa envolvente.

Tras desembalar la placa, desatornillar el deflector metálico (ver imagen).



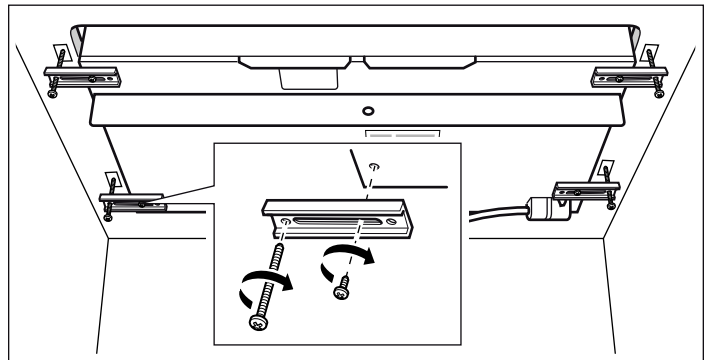
El deflector metálico podrá girar libremente, tal y como se muestra en la imagen.



## Asegure la placa a la superficie de trabajo

### ⚠ ATENCION

No "dejar caer" el vidrio de la placa en su ubicación, debe sujetarse en todo su perímetro por una superficie amplia de los bordes en el momento de "instalar" la placa de cocción en su hueco.



La placa debe asegurarse a la superficie de trabajo con los soportes de sujeción provistos, así que no se puede mover.

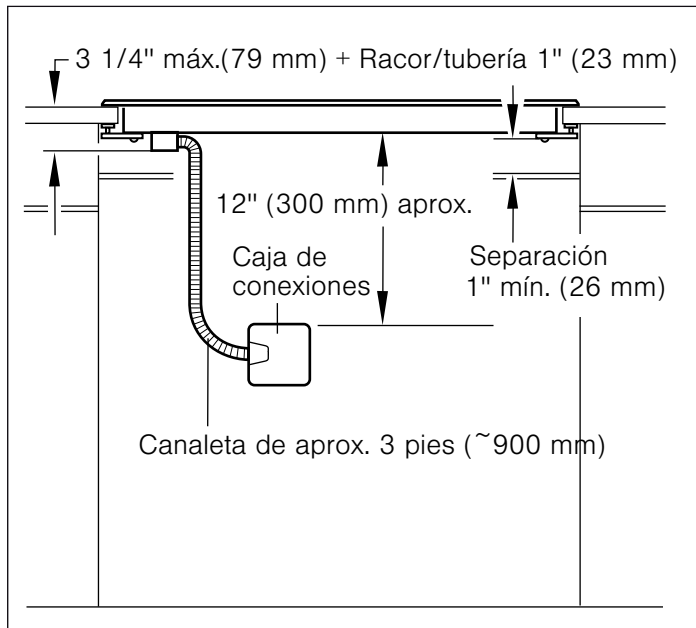
1. Dé vuelta a la placa y fije los soportes a la chapa envolvente con los tornillos sin apretarlos. Posicione los soportes así que puede colocar la placa en el hueco.
2. Coloque la placa en el hueco.
3. Introduzca los tornillos de sujeción en el soporte y asegure la placa a la superficie de trabajo. Apretar los tornillos.

**Nota:** Utilice un bloque de madera para proteger los materiales frágiles de la superficie de trabajo.

# Instalación eléctrica

## Requisitos eléctricos

Puede encontrar la placa de identificación con las especificaciones eléctricas en la parte inferior del electrodoméstico. La caja de conexiones debe estar ubicada dentro de los 3 pies (~900 mm) de la conexión de la placa. Se debe poder obtener acceso a ella fácilmente para relizar las reparaciones.



## Alimentación eléctrica

Modelos NIT5068..., NIT8068..., NITP068...

Disyuntor de 30 Amp  
240 Voltios, 3 Hilos, 60 Hz  
208 Voltios, 3 Hilos, 60 Hz

Todos con conducto flexible de 39" (1m) incluido

Modelos NIT5668..., NIT8668...

Disyuntor de 40 Amp  
240 Voltios, 3 Hilos, 60 Hz  
208 Voltios, 3 Hilos, 60 Hz

Todos con conducto flexible de 39" (1m) incluido

Modelos NITP668...

Disyuntor de 50 Amp  
240 Voltios, 3 Hilos, 60 Hz  
208 Voltios, 3 Hilos, 60 Hz

Todos con conducto flexible de 39" (1m) incluido

## Conexión de la alimentación eléctrica

### ⚠ ATENCION

Antes de la instalación, apague el disyuntor de la caja de fusibles. Trabe el disyuntor para impedir que se encienda accidentalmente la alimentación eléctrica.

### ⚠ ATENCION

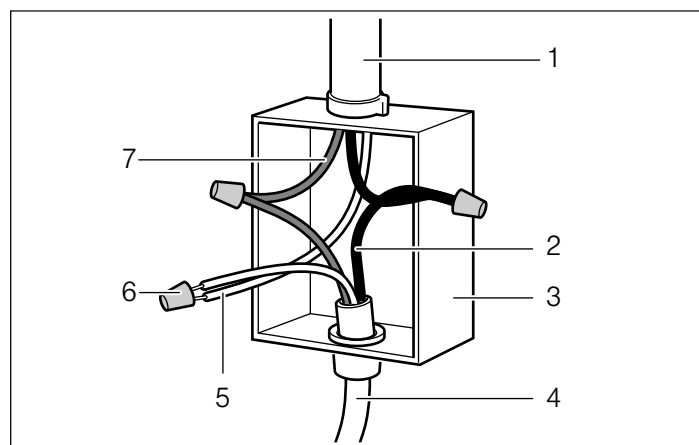
Para reducir el riesgo de descarga eléctrica e incendio, no use un cable de alimentación eléctrica flexible.

Para más información, véase la placa de características. Véase la ubicación de la placa de características en "Servicio".

El amperaje máximo de los disyuntores derivados, la sección de los cables y las conexiones deben ser conformes con los requisitos del Reglamento electrotécnico nacional o el Reglamento eléctrico canadiense, así como con todos los demás reglamentos y disposiciones locales.

Conectar un conducto flexible a la caja de conexión. Conectar los cables a la fase correcta de los cables de alimentación de la caja de conexión:

- Negro (L1) a negro
- Rojo (L2) a rojo
- Verde o desnudo a masa



- |   |                                              |
|---|----------------------------------------------|
| 1 | Cable de suministro de corriente de la casa  |
| 2 | Cable negro                                  |
| 3 | Caja de conexiones                           |
| 4 | Cable de suministro de corriente de la placa |
| 5 | Cable verde o desnudo de conexión a tierra   |
| 6 | Connector UL certificado                     |
| 7 | Cable rojo                                   |

Si la placa se instala y conecta como se especificó anteriormente, estará totalmente conectada a tierra conforme al Código Nacional Eléctrico.

## Pruebe la instalación

### ⚠ ATENCION

Antes de enchufar un cable eléctrico o encender la fuente de alimentación eléctrica, asegúrese de que todos los controles se encuentren en la posición OFF (Apagado).

Retire todos los objetos de la superficie de la placa, incluidas las calcomanías. Limpie la superficie de la placa con crema de limpieza para placas. Encienda el disyuntor. Verifique que los elementos funcionen correctamente.

## Servicio técnico

Si necesita reparar el aparato, llame a nuestro departamento de Servicio Técnico. Nuestro Centro de Servicio al Cliente principal (ver más abajo) también se complacerá en brindarle detalles sobre un centro cercano a su domicilio.

### Número E y número FD

Al llamar al servicio técnico, tener preparado el número de modelo (E) y el número FD del electrodoméstico.

La placa de identificación con estos números se encuentra:

- en el manual del electrodoméstico
- en la parte inferior del electrodoméstico

El número E también se puede encontrar en la vitrocerámica de la placa. Se puede consultar el Índice del Servicio al Cliente (TK) y el número FD en los ajustes básicos. Consultar la sección sobre “Valores básicos” en el manual de instrucciones.

Tener en cuenta que la visita de un técnico de servicio post-venta no es gratuito en caso de mal funcionamiento del aparato causado por el cliente, incluso durante el período de garantía.

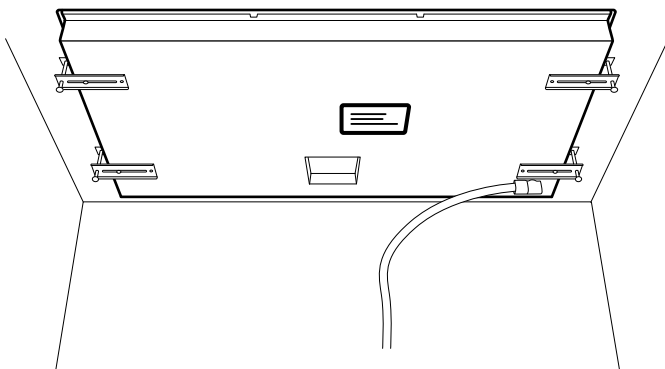
Usted puede confiar en la experiencia del fabricante. Tenga la seguridad de que la reparación será llevada a cabo por técnicos de servicio capacitados, quienes tienen las piezas de refacción originales para su aparato.

Los datos de contacto de todos los países se encuentran en la lista adjunta de servicio al cliente.

800-944-2904

[www.bosch-home.com](http://www.bosch-home.com)

1901 Main Street, Suite 600  
Irvine, CA 92614





**9001096142**

970127



**BOSCH**

Invented for life

1901 Main Street, Suite 600 • Irvine, CA 92614 • 800-944-2904  
[www.bosch-home.com](http://www.bosch-home.com) • © 2016 BSH Home Appliances