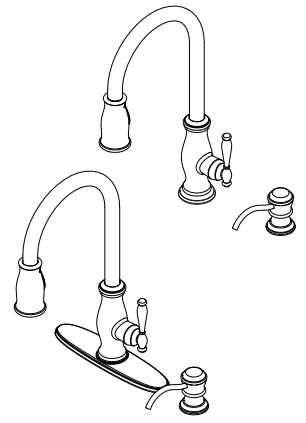


F529-7TMC Finish(C)

F529-7TMS Finish(S)

F529-7TMY Finish(Y)



Specifications

- 1, 2, 3, or 4-Hole Installation
- High Arc Spout
- Pforever Seal

Features

- 1, 2, 3, or 4-Hole Installation; Deck Plate or Single Hole Mounting Option
- 2 Function Pull-Down Sprayer
- 60" Nylon Hose
- High Arc Spout
- 360° Rotating Spout
- Mounting Hardware Included
- Mounting Posts Included
- Pfast Connect
- Swivel Spout
- Soap Dispenser
- Spray Volume Control
- Quick Install Tool
- Pforever Seal Ceramic Disc Valve
- Pforever Warranty®

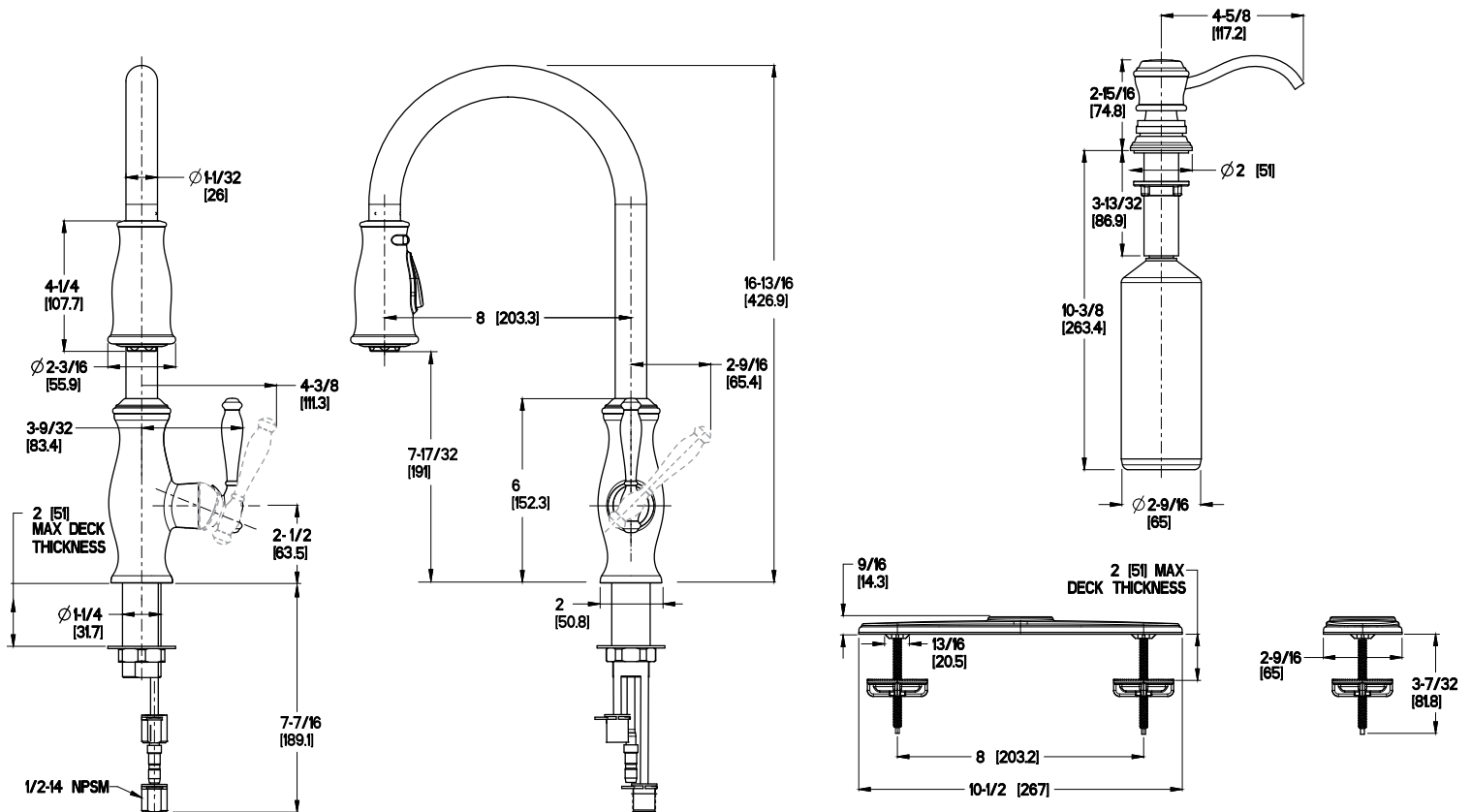
Code Compliance

Pfister products are designed and manufactured in compliance with the following standards and codes:

- IAPMO Certified
- CSA B125 Certified
- ASME A112.18.1
- NSF 61/9 Annex G (Low lead)
- ADA Compliant-ANSI A117.1 (Lever handles only)



Dimensions



Optional Deckplate

Ø1-3/8 Min to Ø1-1/2 Max. Deck Hole Openings