

CLICK FLOATING ENGINEERED FLOORING

PLEASE READ ALL INSTRUCTIONS CAREFULLY BEFORE YOU BEGIN INSTALLATION.

Attention: Installer/Owner Responsibility

Inspect **ALL** materials carefully **BEFORE** installation. Wood is a natural product containing variations in color, tone and graining. Some variation in color is to be expected in a natural wood floor. Even though our product goes through many inspections before it leaves the plant, it is the customer and installer's responsibility for final inspection prior to installation. The installer must be selective, and discard or cut off pieces with defects, whatever the source of the defect may be. The use of stain, filler, or putty to correct defects during installation is normal procedure. The flooring warranty **DOES NOT** cover materials with visible defects once they are installed. All claims must be made before installation. We are not responsible for shipping or installation costs. When ordering flooring, add 5%–10% to the actual square footage required to allow for cutting, waste and/or manufacturing defects.

Your engineered hardwood flooring **MUST** be allowed to acclimate to the environment of the installation area. Open package(s), remove boards and spread out as much as possible. Leave in horizontal position in the room for 48 hours prior to installation. Preferable temperature should be approximately 65-75 degrees with a relative humidity of 35-55%. Humidity should never be allowed to drop below 30% as this may cause gapping. **Diagram 1**. If existing baseboard moldings are difficult to remove, they may be left in place. Quarter round molding is all that is needed to cover the expansion space between flooring and baseboard.

TOOLS AND SUPPLIES REQUIRED

Foam underlay, pressure sensitive polypropylene adhesive tape such as Tuck Tape or equivalent, spacers, saw, hammer, utility knife, pencil, tape measure, ruler. **If installing over a crawlspace or on a concrete floor, you must also install a 4 or greater mil polyethylene vapor retarder. Do not tape seams when installing over a wood subfloor. Use of a 2n1 underlayment with attached polyethylene film is acceptable substitute.**

SUITABLE TYPES OF SUBFLOORS AND FLOOR PREPARATION

The underfloor or subfloor must be thoroughly even, dry, clean and solid. Carpet staples or glue residue must be removed and floor must be clean to ensure proper installation.

To check for evenness, hammer a nail into the center of the floor. Tie a string to the nail and push the knot against the floor. Pull the string tight to the farthest corner of the room and examine the floor at eye level for any gaps between the string and floor. Move the string around the perimeter of the room noting any gaps larger than 3/16" (4.8 mm). Any floor unevenness of more than 3/16" (4.8 mm) per 10' (3 m) must be sanded down or filled in with an appropriate filler. Floors must be carefully checked for moisture problems. Any moisture problems need to be solved before installation. New concrete needs to cure for at least 60 days before installation.

- Test wood sub floors and wood flooring for moisture content using a pin-type moisture meter. Take readings of the subfloor – minimum of 20 readings per 1000 sq. ft. and average the results. In most regions, a "dry" subfloor that is ready to work on has a moisture content of 12% or less and the wood should be within 4% of the subfloor moisture content.
- The moisture content for concrete subfloors registered after a calcium chloride test should not be greater than 3 pounds per 1000 square feet of area. If it exceeds these limits, **DO NOT** install the flooring.

THIS PRODUCT IS NOT SUITABLE FOR DAMP ROOMS SUCH AS SAUNAS, AND ROOMS WITH DAMP CONCRETE, ROOMS WITH FLOOR DRAINS OR ROOMS THAT COULD POTENTIALLY FLOOD.

For wet areas such as bathrooms caulk the perimeter of the floor with a silicone caulk.

INSTALLATION OVER RADIANT HEAT

Your engineered hardwood can be laid over a radiant sub-floor heating system. Follow the manufacturer's installation instructions for the sub-floor heating system. Make sure to turn the heat system off for 2 to 3 days prior to laying the floor.

Once floor has been installed, turn the heating system on gradually. We recommend the temperature is set at low to medium heat output for 12 hours per day in the first week. In the second week, set the temperature to a medium heat setting for 24 hours per day.

For the third week, you can regulate the heat as you would normally. The maximum output from the heating cables must not exceed 60W/m². When using area rugs or runners, the normal surface temperature of the wood may rise higher than recommended. The floor's surface temperature must not exceed 28 °C (82 °F). Please note: we do not warrant against slight gaps that might develop between the floor panels when heating is active or due to changes in atmospheric conditions.

CAUTION: WOOD DUST

The International Agency for Research on Cancer has classified wood dust as a nasal carcinogen. The sawing, sanding, and/or machining of wood products can produce wood dust that can cause respiratory, eye, and skin irritations. Equipment should be equipped with a dust collector to reduce airborne wood dust. Wear an appropriate NIOSH designated dust mask to reduce exposure to airborne wood dust. Avoid contact with eyes and skin. In case of irritation, flush eyes or skin with water for at least 15 minutes. In cases of severe irritation; seek immediate medical attention. For further technical or installation questions or to request a Product Specification Data Sheet contact the manufacturer .

Attention California Installers & Consumers
WARNING

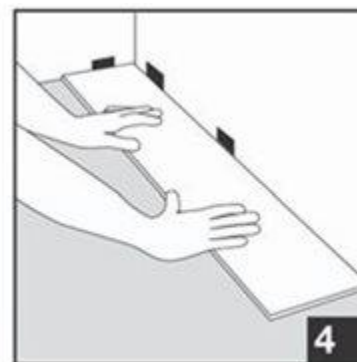
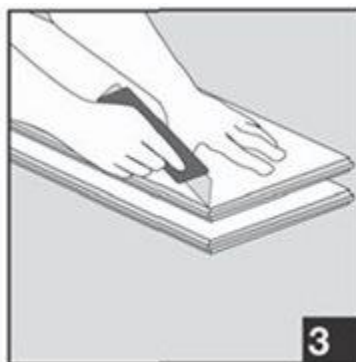
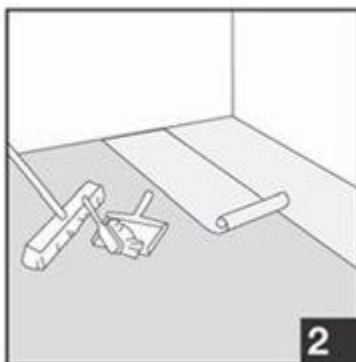
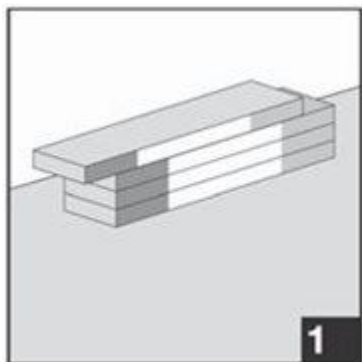
Installation of this product and wood product may create wood dust, which is known to the State of California to cause cancer.

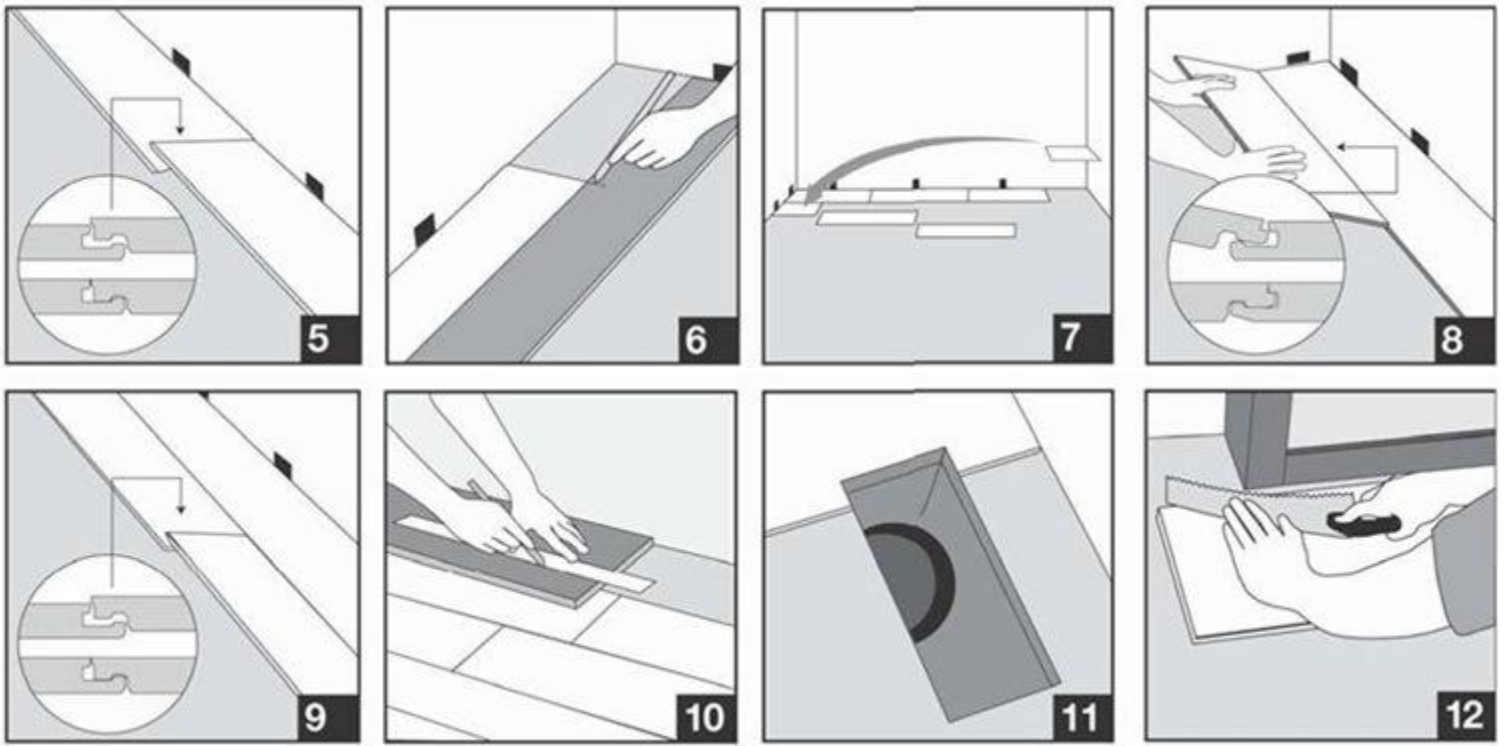
BASIC INSTALLATION

- For installation on concrete floors or any floors over a crawl space a vapor retarder or 2in1 underlayment **MUST** be laid down first. For Concrete use 4 mil poly, run the poly 2" (5 cm) up walls and overlap seams 18" (45 cm).Tape seams when installing over concrete. **Do not tape seams over any wood subfloor.**
- All flooring installations require foam underlay. Run the foam underlay in the same direction as the panels. Underlay should be butted side by side with no overlap. Tape seams together, **Or** use a 2 n1 type underlayment as shown in **Diagram 2.**
- You will need to remove the tongue, on the long side of the panels that face the wall, from the appropriate amount of panels for your first row. This is to ensure that the decorative surface is well under the finished trim when installed. Use a utility knife to score through the tongue several times until it easily snaps off. **Diagram 3.**
- Start in a corner by placing the first panel with its trimmed side facing the wall. Use spacers along each wall to maintain an expansion space of 1/2" (12 mm) between the wall and the flooring. **Diagram 4.**
- REMEMBER THAT THIS PRODUCT IS PRIMARILY WOOD AND NEEDS ROOM TO EXPAND AND CONTRACT. AT NO POINT SHOULD YOU ATTACH THE FLOOR TO ANY SURFACE. ALSO, FLOOR SHOULD NOT RUN FOR MORE THAN 26' (8 METERS) IN WIDTH BY 40' (12 METERS) IN LENGTH. FLOOR EXCEEDING THESE DIMENSIONS NEEDS TO BE SEPARATED IN AREAS SMALLER THAN 8 X 12 METERS USING T MOLDING. ROOMS SEPARATED BY AN OPENING OF 36" (915 MM) OR LESS, SHOULD BE SEPARATED BY A T MOLDING AT THE DOOR OPENING.
- To attach your second panel, lower and lock the end tongue of the second panel into the end groove of the first panel. Make sure the end channels are free from debris to ensure a close, tight fit. Line up edges carefully. The panels should be flat to the floor. **Diagram 5.**
- Continue connecting the first row until you reach the last full panel. Fit the last panel by rotating the panel 180° with the pattern side upward, place beside row, mark and then saw off excess. Attach as described above. **Diagram 6.**

When using a handsaw cut on the decorative surface. If you are using a jig or circular saw, cut with the decorative side down to avoid chipping.

- Begin the next row with the off cut piece from the previous row to stagger the pattern. Pieces should be a minimum of 8" (20 cm) long and joint offset should be at least 16" (40 cm). **Diagram 7.**
- To start your second row, tilt and push the side tongue of the panel into the side groove of the very first panel at about 30°.When lowered, the plank will click into place. **Diagram 8.**
- Attach the second panel of the new row first on the long side. Tilt and push this panel as close as possible to the previous row at 30°. Make sure edges are lined up. Lower panel to the floor, locking the end tongue into the end groove of the first panel. Continue laying remaining panels in this manner. **Diagram 9.**
- To fit the last row, lay a panel on top of the previous row. With the tongue to the wall, lay another panel upside down on the one to be measured and use it as a ruler. Don't forget to allow room for spacers. Cut the panel and attach into position. **Diagram 10.**
- Door frames and heating vents also require expansion room. First cut the panel to the correct length. Then place the cut panel next to its actual position and use a ruler to measure the areas to be cut out and mark them. Cut out the marked points allowing the necessary expansion distance on each side. **Diagram 11.**
- You can trim door frames by turning a panel upside down and using a handsaw to cut away the necessary height so that panels slide easily under the frames. **Diagram 12.**





FINISHING MOLDING

- Reducer molding is used to finish flooring when the adjoining surface is lower than the flooring or when the flooring meets carpet. Position the U track 1/4" (7 mm) between each edge of the flooring. Screw, nail or glue down the track directly to the subfloor and then insert the reducing strip into the track.
- T-molding is used to finish flooring when two level surfaces meet in doorways or for expansion joints. Install same as above. If your room is more than 26' (8 m) wide you will need to allow for an expansion joint. Same requirement is applied when room is longer than 40' (12 meters).
- Landing molding is used to finish flooring on landings or stair edges. Moldings need to be glued and screwed down to the sub-floor for safety and stability. Color fill should be used to cover counter sunk screws.
- To finish the perimeter of the room install quarter round molding using finishing nails. Quarter round molding is nailed directly into the baseboard.

MAINTENANCE AND CLEANING

Our Engineered Hardwood Floors are very easily maintained. No wax, no mess. Simply use a floor cleaner recommended for hardwood flooring and a specialty terry cloth flooring mop available from flooring retailers.

Step 1: Sweep or vacuum your floor to remove any particles that could scratch your floor.

DO NOT use vacuums with a beater bar or power rotary brush head as they can damage your wood floor.

Step 2: Apply the cleaner directly to the terry cloth flooring mop, not to the floor!

Step 3: Use a back and forth motion with the mop. When the terry cloth becomes soiled, simply replace it with a clean one. Cleaning the floor with a soiled cover could cause streaking. Many covers are re-usable so depending on the cover either throw away the cover or wash and dry it as you would any towel.

TIPS AND WARNINGS

- Vacuum or sweep regularly.
- Remove spills promptly using appropriate floor cleaner and a clean white cloth.
- Use felt protectors under heavy pieces of furniture and chairs.
- Use protective mats at all exterior entrances.
- Spiked heels or shoes in need of repair can severely damage your floor.
- Never wet or damp mop your wood floors. Water can cause damage to wood flooring.
- Never use oil soaps, wax, liquid or other household products to clean your floor.
- The sun's UV rays can change the color of your floors.
- Keep animal nails trimmed.
- Protect your floor when using a dolly for moving furniture or appliances.
- Never slide or roll heavy furniture or appliances across flooring
- Preferable temperature should be approximately 62-73 ° F (17-23 ° C) with a relative humidity of 35%-65%. Humidity should never be allowed to drop below 30% as this may cause gapping.

PISOS DE DISEÑO

POR FAVOR, LEA DETENIDAMENTE TODAS LAS INSTRUCCIONES ANTES DE COMENZAR LA INSTALACIÓN. UNA INSTALACIÓN INAPROPIADA INVALIDARÁ LA GARANTÍA.

ATENCIÓN: RESPONSABILIDAD DEL INSTALADOR/PROPIETARIO

Inspeccione **TODOS** los materiales cuidadosamente **ANTES** de la instalación. La madera es un producto natural con variaciones de color, tono y veteado. Es de esperarse que se produzca alguna variación de color en un piso de madera natural. Si bien nuestro producto es sometido a varias inspecciones antes de salir de la planta, es responsabilidad del cliente y el instalador realizar la inspección final antes de la instalación. El instalador debe ser selectivo y descartar o cortar piezas defectuosas, independientemente del origen del defecto. El uso de tintura, relleno o masilla para corregir defectos durante la instalación es un procedimiento habitual. La garantía del piso **NO** cubre materiales con defectos visibles una vez instalados. Todos los reclamos deberán realizarse antes de la instalación. No somos responsables de los costos de envío o instalación. Al ordenar el piso, adicione un 5 %-10 % a la superficie real requerida para contemplar cortes, residuos y/o defectos de fabricación.

DEBE dejar aclimatar su piso de madera dura de diseño al ambiente del área de instalación. Abra el/ los paquete/s, remueva los tabloncillos y dispérselos lo máximo que sea posible. Déjelos en posición horizontal en la habitación por el término de 48 horas antes de la instalación. La temperatura debe rondar preferiblemente entre 67-75 grados, con una humedad relativa del 35-55 %. Jamás debería permitirse que la humedad llegue a menos del 30 % dado que esto podría hacer que se produzcan huecos. **Diagrama 1.**

Si resulta complicado remover las molduras de zócalos existentes, podrían dejarse en su lugar. Todo lo que necesita para cubrir el espacio de expansión entre el piso y el zócalo es la moldura esquinera.

HERRAMIENTAS Y SUMINISTROS REQUERIDOS

Capa inferior de gomaespuma, cinta adhesiva de polipropileno sensible a la presión, como ser cinta Tuck Tape o equivalente, espaciadores, sierra, martillo, navaja multiuso, lápiz, cinta métrica, regla.

Si se instala encima de un entrepiso o sobre un piso de hormigón, también debe instalar un retardador de vapor de polietileno de 4-6 mil. No selle las uniones con cinta cuando instale encima de un contrapiso de madera. Se acepta como sustituto el uso de un solado 2 en 1 con capa de polietileno adjunta.

TIPOS ADECUADOS DE CONTRAPISOS Y PREPARACIÓN DEL PISO

El bajo piso o contrapiso debe ser sólido, estar bien nivelado, seco y limpio. Deben removerse grapas o restos de goma de alfombras y el piso debe estar limpio para asegurar una instalación adecuada.

Para verificar la nivelación, martille un clavo en el centro del piso. Ate un hilo al clavo y presione el nudo contra el piso. Tire del hilo de modo que quede tirante en dirección a la esquina más lejana de la habitación, y examine el piso al nivel de la vista para verificar que no quede espacio entre el hilo y el piso. Mueva el hilo alrededor del perímetro de la habitación advirtiendo cualquier hueco mayor a 4.8 mm (3/16"). Cualquier desnivel del piso de más de 4.8 mm (3/168") por cada 3 m (10') deberá lijarse o rellenarse con un relleno adecuado.

Deberá examinarse con detalle el piso para determinar que no haya de problemas de humedad. Cualquier problema de humedad debe resolverse antes de la instalación. El hormigón nuevo necesita curarse por un término de al menos 60 días antes de su instalación.

- Pruebe el contrapiso de madera y el piso de madera para determinar si existe contenido de humedad usando un medidor de humedad tipo pasador. Tome nota de las lecturas del contrapiso, un mínimo de 20 lecturas por 1000 pies cuadrados, y promedie los resultados. En la mayoría de las regiones, un contrapiso "seco", listo para ser trabajado, tiene un contenido de humedad del 12% o menos, y la madera debería tener no más del 4% del contenido de humedad del contrapiso.
- El contenido de humedad de contrapisos de hormigón registrado luego de una prueba de cloruro de calcio no debería superar las 3 libras por 1000 pies cuadrados de área. Si supera estos límites, **NO** instale el piso.

ESTE PRODUCTO NO ES ADECUADO PARA HABITACIONES HÚMEDAS COMO SAUNAS Y HABITACIONES CON HORMIGÓN HÚMEDO, HABITACIONES CON DRENAJES EN EL PISO O HABITACIONES CON POSIBILIDAD DE INUNDARSE.

En áreas húmedas como cuartos de baño, selle el perímetro del suelo con un sellador de silicona.

INSTALACIÓN SOBRE LOSA RADIANTE

Su madera de diseño puede colocarse encima de un sistema de calefacción de contrapiso radiante. Siga las instrucciones de instalación del fabricante para el sistema de calefacción de contrapiso. Asegúrese de apagar el sistema de calefacción 2 a 3 días antes de colocar el piso.

Una vez instalado el piso, encienda gradualmente el sistema de calefacción. Recomendamos configurar la temperatura con una salida de calor de media a baja 12 horas por día durante la primera semana. Durante la segunda semana, configure la temperatura en calefacción media 24 horas por día. Durante la tercera semana, puede regular la calefacción como lo haría normalmente. La salida máxima de los cables de calefacción no debe superar 60 W/m². Cuando se utilicen tapetes o alfombras de área, la temperatura normal de la superficie de la madera podría superar lo recomendado. La temperatura de la superficie del piso no debe exceder los 28 °C (82 °F).

Advierta que no otorgamos garantía alguna por pequeños huecos que podrían producirse entre los paneles del piso mientras está activa la calefacción o con motivo de cambios en las condiciones atmosféricas.

PRECAUCIÓN: POLVO DE MADERA

La instalación de este producto y de productos de madera puede producir polvo, que según el Estado de California es causante de cáncer. El aserrado, lijado y/o mecanizado de productos de madera pueden producir polvo de madera, que puede causar irritación del sistema respiratorio, los ojos y la piel. El equipamiento debe incluir un colector de polvo para reducir el polvo de madera en el aire. Utilice una máscara apropiada NIOSH contra el polvo para reducir la exposición al polvo de madera en el aire. Evite el contacto con los ojos y la piel. En caso de irritación, enjuague los ojos o la piel con agua durante al menos 15 minutos. En caso de irritación severa, solicite atención médica inmediata. Para más preguntas técnicas o de instalación, o para solicitar una Hoja de Datos de Especificación de productos, contáctese con el fabricante .

Nota para los instaladores y usuarios de California ADVERTENCIA

La instalación de este producto y de cualquier producto de madera puede producir polvo de madera, que en el Estado de California se conoce como un agente causante del cáncer.

AVISO IMPORTANTE SOBRE LA SALUD.

ALGUNOS DE LOS MATERIALES DE CONSTRUCCIÓN UTILIZADOS EN ESTA CASA (O ESTOS MATERIALES DE CONSTRUCCIÓN) EMITEN FORMALDEHÍDO. LA IRRITACIÓN DE LOS OJOS, NARIZ Y GARGANTA, DOLOR DE CABEZA, NÁUSEAS Y UNA VARIEDAD DE SÍNTOMAS COMO ASMA, INCLUIDA LA DIFICULTAD PARA RESPIRAR, HAN SIDO REPORTADOS COMO RESULTADO DE LA EXPOSICIÓN A FORMALDEHÍDO. LAS PERSONAS MAYORES Y LOS NIÑOS JÓVENES, ASÍ COMO CUALQUIER PERSONA CON ANTECEDENTES DE ASMA, ALERGIAS, O PROBLEMAS PULMONARES, PUEDEN ESTAR EN MAYOR RIESGO. SE CONTINÚA UNA INVESTIGACIÓN SOBRE LOS POSIBLES EFECTOS A LARGO PLAZO DE LA EXPOSICIÓN AL FORMALDEHÍDO.

LA VENTILACIÓN REDUCIDA PUEDE PERMITIR QUE EL FORMALDEHÍDO Y OTROS CONTAMINANTES SE ACUMULEN EN EL AIRE EN AMBIENTES INTERIORES. LAS ALTAS TEMPERATURAS Y HUMEDAD EN AMBIENTES INTERIORES ELEVAN LOS NIVELES DE FORMALDEHÍDO. CUANDO SE DEBE SITUAR UNA CASA EN ZONAS SUJETAS A TEMPERATURAS EXTREMAS DE VERANO, SE PUEDE USAR UN SISTEMA DE AIRE ACONDICIONADO PARA CONTROLAR LOS NIVELES DE TEMPERATURA EN AMBIENTES INTERIORES. SE PUEDEN UTILIZAR OTROS MEDIOS DE VENTILACIÓN MECÁNICA CONTROLADA PARA REDUCIR LOS NIVELES DE FORMALDEHÍDO Y OTROS CONTAMINANTES DEL AIRE EN AMBIENTES INTERIORES. SI TIENE ALGUNA PREGUNTA CON RESPECTO A LOS EFECTOS DE FORMALDEHÍDO EN LA SALUD, CONSULTE A SU MÉDICO O AL DEPARTAMENTO DE SALUD LOCAL.

INSTALACIÓN BÁSICA

- Para instalación sobre pisos de hormigón o cualquier piso encima de un entrepiso, **DEBERÁ** colocarse primero un retardador de vapor o un solado 2 en 1. Use polietileno de 4 mil. Coloque el polietileno 5 cm (2") hacia arriba en paredes y superponga uniones 45 cm (18"). Selle las uniones con cinta al instalar encima de hormigón. No selle las uniones con cinta encima de ningún contrapiso de madera.
- Todas las instalaciones de piso requieren una capa inferior de gomaespuma. Coloque la capa inferior de gomaespuma en la misma dirección que los paneles. La capa inferior debería fijarse por los extremos, lado con lado sin superponerse. Selle las uniones entre sí con cinta. O use un solado de tipo 2 en 1. **Diagrama 2.**
- Deberá remover el machimbre, por el lado extenso de los paneles de cara a la pared, desde la cantidad apropiada de paneles para su primera fila. Esto tiene como fin asegurar que la superficie decorativa quede bien por debajo del recorte terminado al instalarse. Use una navaja multiuso para marcar a través del machimbre varias veces hasta que se desprenda fácilmente. **Diagrama 3.**
- Comience en una esquina colocando el primer panel con su lado recortado de cara a la pared. Use espaciadores a lo largo de cada pared para mantener un espacio de expansión de 8–12mm (5/16"-3/8") entre la pared y el piso. **Diagrama 4.**
- **RECUERDE QUE ESTE PRODUCTO ESTÁ HECHO PRINCIPALMENTE DE MADERA Y NECESITA LUGAR PARA EXPANDIRSE Y CONTRAERSE. EN NINGÚN MOMENTO DEBERÍA FIJAR EL PISO A NINGUNA SUPERFICIE. ADEMÁS, LA MEDIDA DEL PISO NO DEBE SER SUPERIOR A 8 METROS (26 PIES) DE ANCHO POR 12 METROS (40 PIES) DE LARGO. EN LOS CASOS EN QUE EL PISO SOBREPASE ESTAS MEDIDAS SE NECESITA SEPARARLO EN ÁREAS MÁS PEQUEÑAS DE 8 X 12 METROS UTILIZANDO MOLDURA EN T. LAS HABITACIONES SEPARADAS POR UNA APERTURA DE 915 MILÍMETROS (36 PULGADAS) O MENOS DEBERÍAN SEPARARSE POR UNA MOLDURA EN T EN LA APERTURA DE LA PUERTA.**
- Para fijar el segundo panel, baje y trabe el machimbre extremo del segundo panel en la ranura extrema del primer panel. Asegúrese de que los canales extremos estén libres de escombros para garantizar una colocación contigua, ajustada. Alinee cuidadosamente los bordes. Los paneles deberían quedar planos sobre el piso. **Diagrama 5.**
- Continúe conectando la primera fila hasta que alcance el último panel completo. Coloque el último panel rotándolo 180° con el lado del diseño hacia arriba, colóquelo al lado de la fila, marque y luego serruche el exceso. Fíjelo según se describe arriba. **Diagrama 6.**
- Si usa una sierra manual, corte sobre la superficie decorativa. Si usa una sierra de calar o circular, corte con el lado decorativo hacia abajo para evitar esquirras.
- Comience la segunda fila con la pieza cortada de la fila anterior para alternar el diseño. Las piezas deberían tener un largo mínimo de 20 cm (8") y el acodado de las juntas debería ser de 40 cm (16") como mínimo. **Diagrama 7.**
- Para comenzar la segunda fila, incline y presione el machimbre lateral del panel hacia adentro de la ranura lateral del primer panel a aproximadamente 30°. Al bajar, el tablón encajará correctamente. **Diagrama 8.**
- Fije el segundo panel de la nueva fila primero en el lado extenso. Inclíne y presione este panel lo más cerca posible de la fila anterior a 30°. Asegúrese de que los bordes estén alineados. Baje el panel al piso, trabando el machimbre extremo en la ranura extrema del primer panel. Continúe colocando los demás paneles de esta manera. **Diagrama 9.**
- Para colocar la última fila, ponga un panel encima de la fila anterior. Con el machimbre hacia la pared, coloque otro panel invertido sobre el que se medirá y úselo como regla. No olvide dejar espacio para los espaciadores. Corte el panel y fíjelo en posición. **Diagrama 10.**

- Los marcos de puerta y ventilaciones de calefacción también requieren espacio de expansión. Primero corte el panel con el largo correcto. Luego coloque el panel cortado junto a su posición real y use una regla para medir las áreas que se cortarán y márquelas. Corte los puntos marcados dejando la distancia de expansión necesaria en cada lado. **Diagrama 11.**
- Puede recortar los marcos de puertas invirtiendo un panel y usando una sierra manual para cortar la altura necesaria de modo que los paneles corran fácilmente debajo de los marcos. **Diagrama 12.**

MOLDURA DE ACABADO

- Se usa moldura reductora para acabar el piso cuando la superficie adyacente está más baja que el piso o cuando el piso se junte con la alfombra. Posicione el camino en U a 7 mm (1/4") entre cada borde del piso. Atornille, clave o pegue el camino directamente en el contrapiso y luego inserte la tira reductora en el camino.
- Se usa moldura en T para acabar el piso cuando dos superficies a nivel se juntan en entradas de puertas o para juntas de expansión. Instale igual que arriba. Si la habitación tiene más de 8 metros (26 pies) de ancho, necesitará tener una junta de expansión. El mismo requisito se aplica cuando la habitación tiene más de 12 metros (40 pies) de largo.
- Se usa moldura de escalera para acabar el piso en descansos o bordes de escalera. Las molduras deben pegarse y atornillarse al contrapiso con fines de seguridad y estabilidad. Debería usarse relleno de color para cubrir tornillos fresados.
- Para acabar el perímetro de la habitación, instale moldura esquinera usando clavos de acabado. La moldura esquinera se clava directamente en el zócalo.

MANTENIMIENTO Y LIMPIEZA

Nuestros pisos de madera de diseño son muy fáciles de mantener. Sin cera, sin problemas. Simplemente utilice un limpiador de piso recomendado para pisos de madera y un trapo de piso de felpa especial, disponible en tiendas de venta de pisos.

Paso 1: Barra o aspire el piso para remover cualquier partícula que pudiera rayarlo.

***No** use aspiradoras con cepillo aspirador tipo bateador o cabezal de cepillo rotativo ya que pueden dañar el piso de madera.

Paso 2: Aplique el limpiador directamente en el trapo de piso de felpa, no en el piso.

Paso 3: Realice movimientos hacia adelante y hacia atrás con el trapo. Cuando se ensucie el trapo de felpa, simplemente reemplácelo con uno limpio. Limpiar el piso con un trapo sucio podría causar manchas. Muchos trapos son reutilizables; por ello, según el trapo de que se trate, tire el trapo, lávelo y séquelo como si fuera una toalla.

CONSEJOS Y ADVERTENCIAS

Nunca moje o humedezca pisos de madera. El agua puede dañar el piso de madera.

- Aspire o barra regularmente.
- Remueva derrames de inmediato usando un limpiador de piso adecuado y un trapo blanco limpio.
- Use protectores de felpa debajo de muebles y sillas pesados.
- Use tapetes de protección en todas las entradas exteriores.
- Los tacones puntiagudos o zapatos en mal estado podrían dañar el piso severamente.
- Nunca use jabones de aceite, cera, productos líquidos u otros productos domésticos para limpiar el piso.
- Los rayos UV solares pueden cambiar el color del piso.
- Mantenga cortas las uñas de los animales.
- Proteja el piso cuando utilice una plataforma rodante para mover muebles o aparatos.
- Nunca deslice o haga rodar por el piso muebles o aparatos pesados.
- La temperatura debe rondar preferentemente en 17-23 °C (62-73 °F), con una humedad relativa del 35%-65%. Jamás debería permitirse que la humedad llegue a menos del 30% dado que esto podría hacer que se produzcan huecos.