

**SIMPLI™**  
HOME

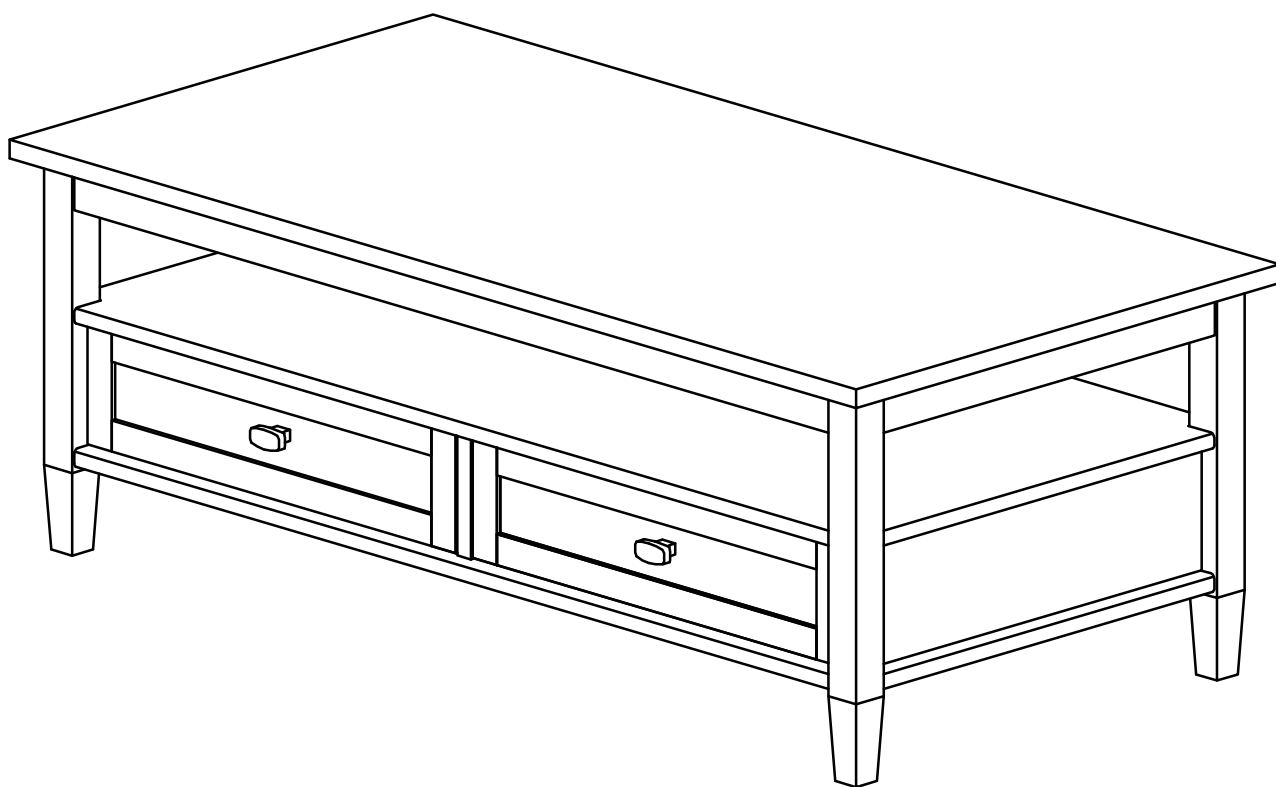
WyndenHall™  
HOME DECOR  
brooklyn + max™

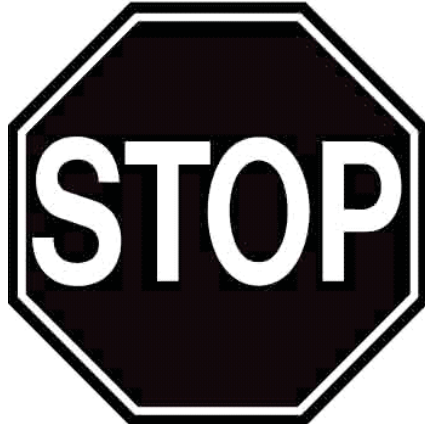
**WARM SHAKER / NORFOLK / LEXINGTON**

---

**COFFEE TABLE**

MODEL # AXWSH001-TB





**FOR REPLACEMENT PARTS OR HELP WITH  
ASSEMBLY PLEASE CONTACT US AT:**

**[simpli-home.com/customer-support](https://simpli-home.com/customer-support)**

**PLEASE ENSURE TO HAVE THE MODEL #  
FROM THE PACKAGING OR INSTRUCTION BOOKLET**

**TO RETURN THE PRODUCT:  
PLEASE CONTACT THE RETAILER  
WHERE THE ITEM WAS PURCHASED FROM**

**SIMPLI**<sup>™</sup>  
**H O M E**

Wyndent Hall<sup>™</sup>  
HOME DECOR  
brooklyn + max<sup>™</sup>

**ENTER  
TO WIN**

**Upload an image of our furniture  
in your home with a short review  
to our facebook page for a chance to**

**Win up to \$3000 of  
Simpli Home furniture!!!**

[www.facebook.com/simplihomefurnishings](http://www.facebook.com/simplihomefurnishings)



**IMPORTANT** : Please read this manual carefully before beginning assembly of this product. Keep this manual for future reference.

## **SAFETY INFORMATION**

Identify all the parts and hardware. Do not discard of the packaging until you have checked that you have all of the parts and hardware required. Hardware package may have spare parts.

**WARNING:** This item contains small parts which can be swallowed by children and pets. Keep children and pets away during assembly. To avoid danger of suffocation, always keep plastic bags away from children and pets. We recommend that you assemble this unit on a carpeted floor to avoid scratches. If using power tools, set the tool to low torque to avoid damage.

**May require 2 people for ease of assembly.**

## **CARE and MAINTENANCE**

To clean, use a soft or slightly damp cloth, then wipe with a clean, dry cloth. Dust with soft dry cloth.

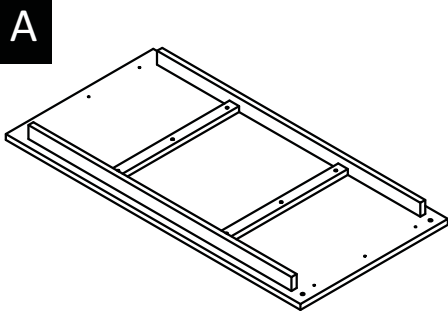
Do not use ammonia-based cleaning products, as they will damage the finish.

Do not leave liquids or damp cloths on this furniture.

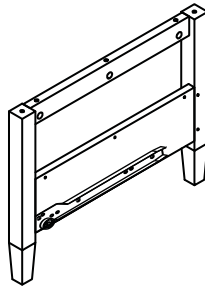
To avoid dulling of the finish, do not place furniture in direct sunlight.

Please inspect and tighten all screws or bolts on a regular basis to ensure proper performance and safety of your item.

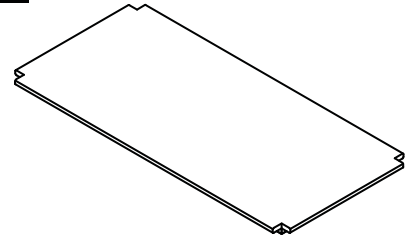
**PARTS DESCRIPTION**



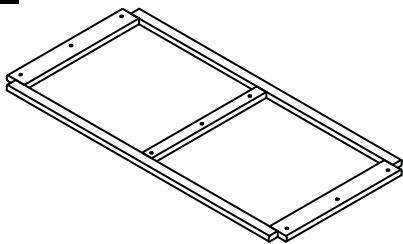
**A**  
TOP  
QTY 1



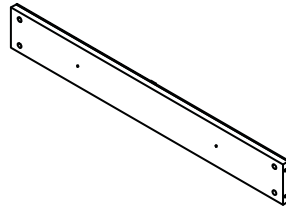
**B**  
SIDES  
QTY 1 PAIR



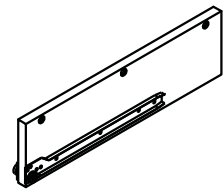
**C**  
TOP SHELF  
QTY 1



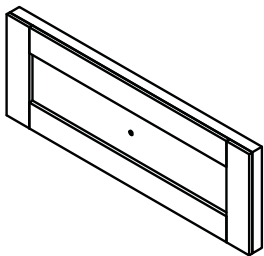
**D**  
BOTTOM SHELF  
QTY 1



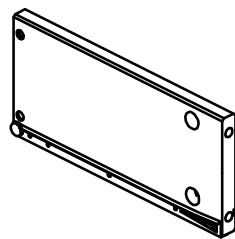
**E**  
BACK  
QTY 1



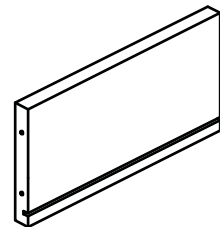
**F**  
CENTRE DRAWER  
QTY 1



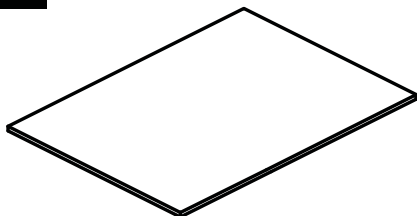
**G**  
DRAWER FRONT  
QTY 2



**H**  
DRAWER SIDE  
QTY 2 PAIRS



**I**  
DRAWER BACK  
QTY 2

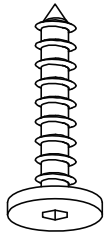


**J**  
DRAWER BOTTOM  
QTY 2

**NEED HELP?** For help with assembly or if you are missing a part,  
Please call customer service at 1-866-518-0120 ext. 262 (9 am to 4 pm EST)

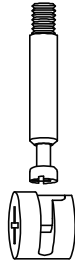
HARDWARE DESCRIPTION

1



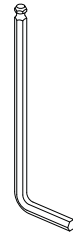
ALLEN KEY SCREW  
M6 X 30 mm  
QTY 26

2



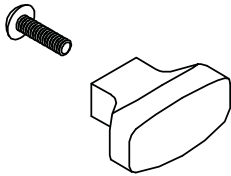
CAM LOCK PIN  
CAM LOCK  
QTY 18 SETS

3



ALLEN KEY  
QTY 1

4

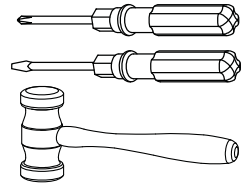


HANDLE  
M4X25 mm  
QTY 4 SETS

5

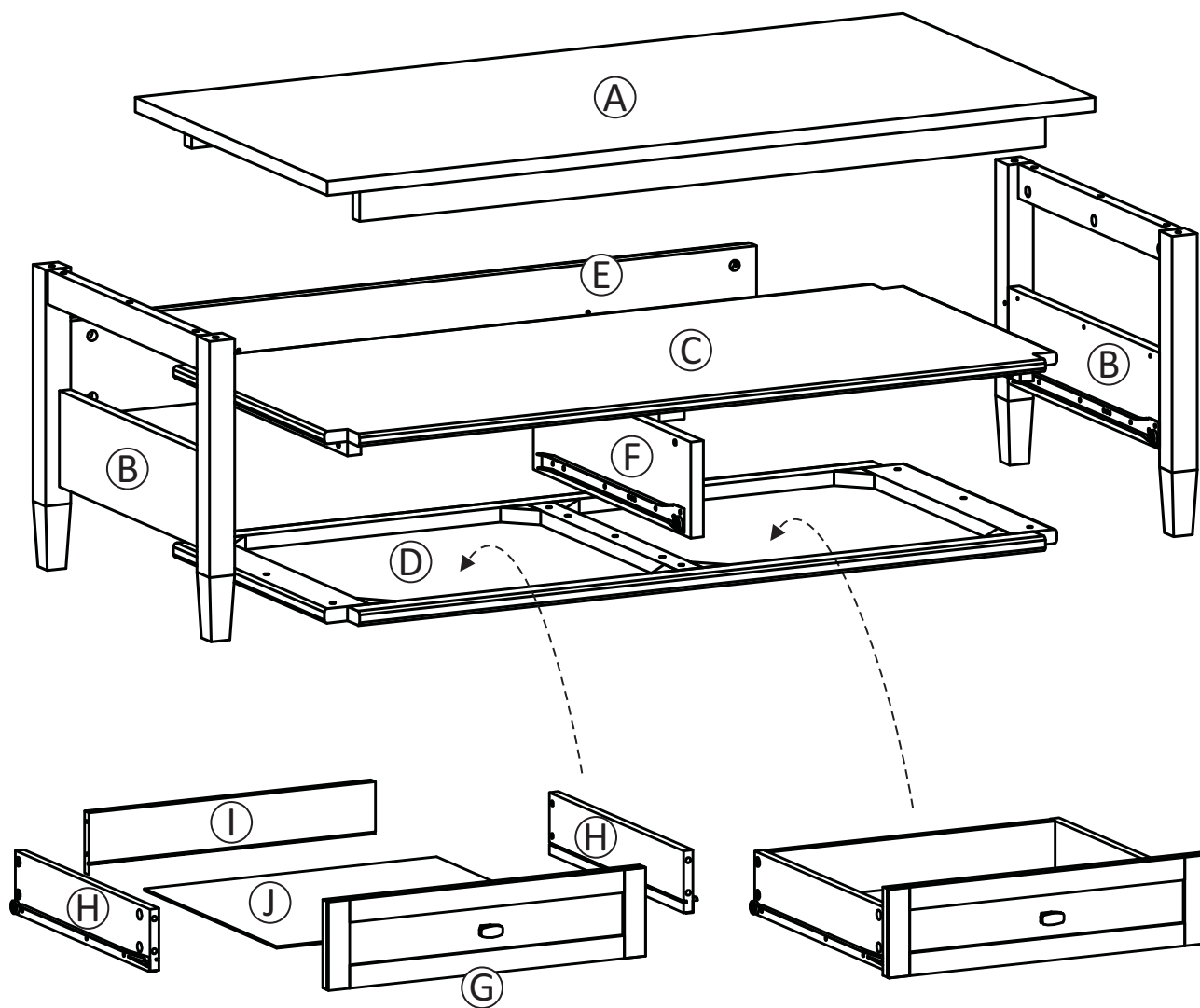


WOOD DOWEL  
Ø8 X 30 mm  
QTY 6

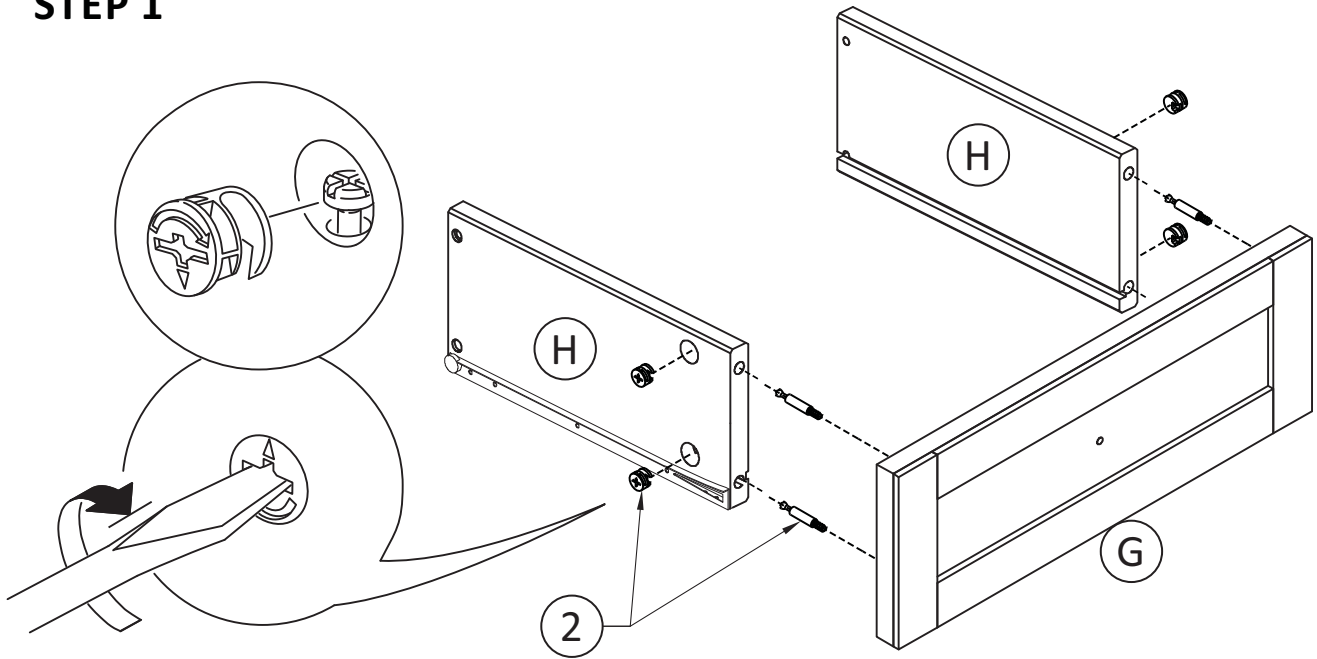


Required -  
Flathead screwdriver  
Phillips screwdriver  
Rubber mallet  
**Not Included**

**NEED HELP?** For help with assembly or if you are missing a part,  
Please call customer service at 1-866-518-0120 ext. 262 (9 am to 4 pm EST)

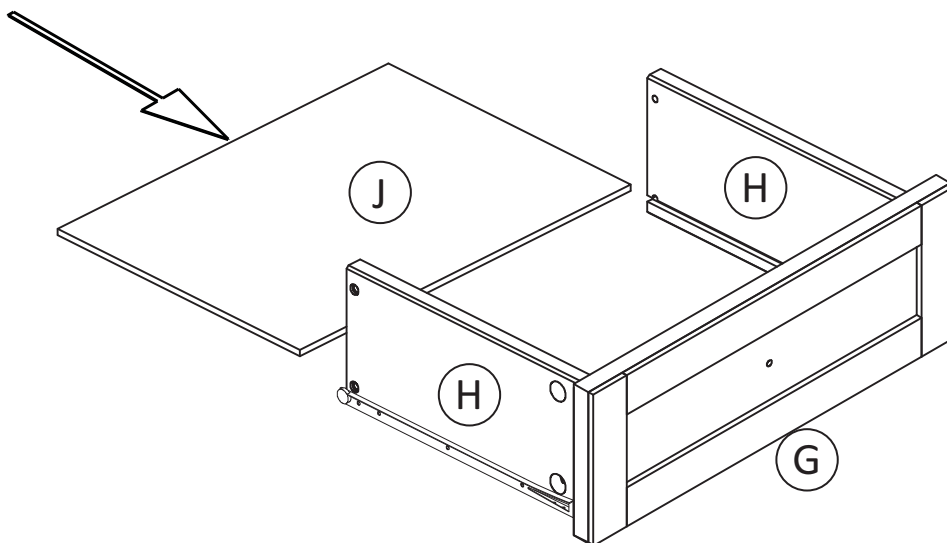


## STEP 1



1. Attach 4 Cam Lock Pins (2) to back of Drawer Front (G).
2. Align Cam Lock Pins with pre-drilled holes and attach Drawer Sides (H).
3. Insert 2 Cam Lock (2) into pre-drilled holes on each Drawer Side (H).
4. Use flathead screwdriver to secure Cam Locks.

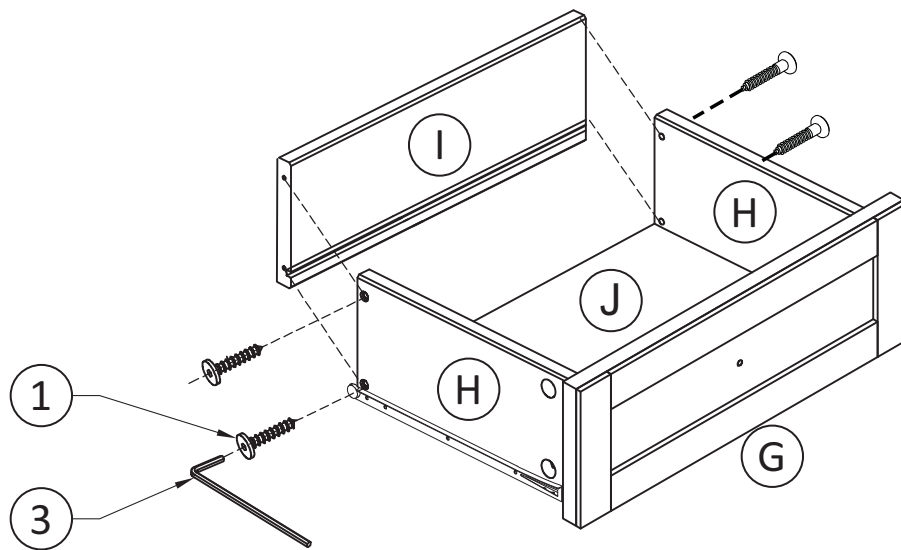
## STEP 2



1. Slide Drawer Bottom (J) firmly into slots on Drawer Sides (H) and Drawer Front (G).

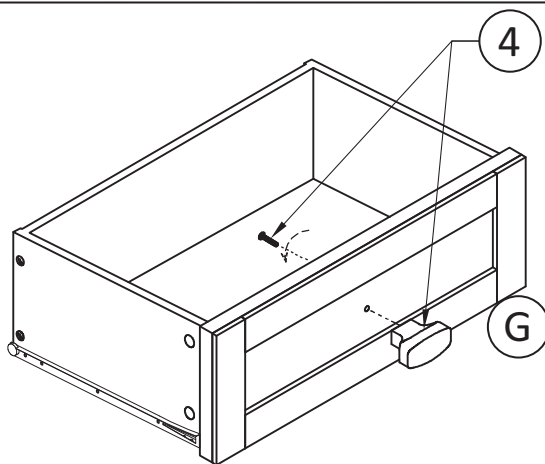


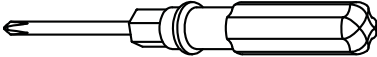
**STEP 3**



1. Align Drawer Back (I) with Drawer Bottom (J) and press firmly into slot .
2. Attach back using 2 Allen Key Screws (1) through pre-drilled holes on each side.
3. Use Allen key (3) to tighten. Do not over tighten.

**STEP 4**

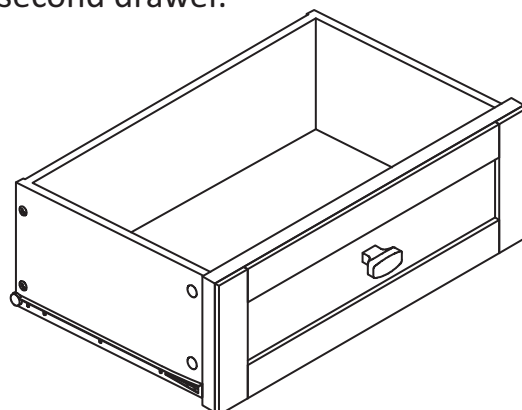




**NOTE:** The screwdriver is not included in the hardware pack.

1. Use Phillips Screwdriver to attach Handle (4) to Drawer Front (G) .

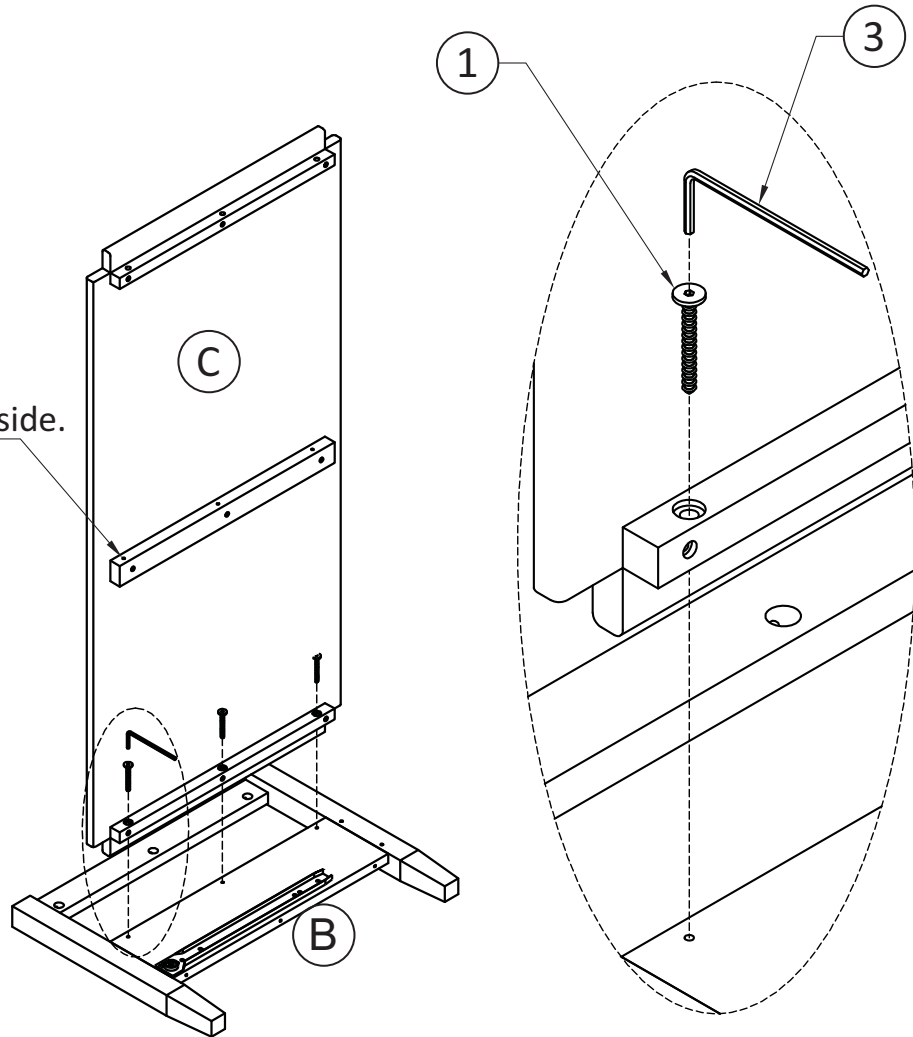
Repeat Step 1-4 for the second drawer.



## STEP 5

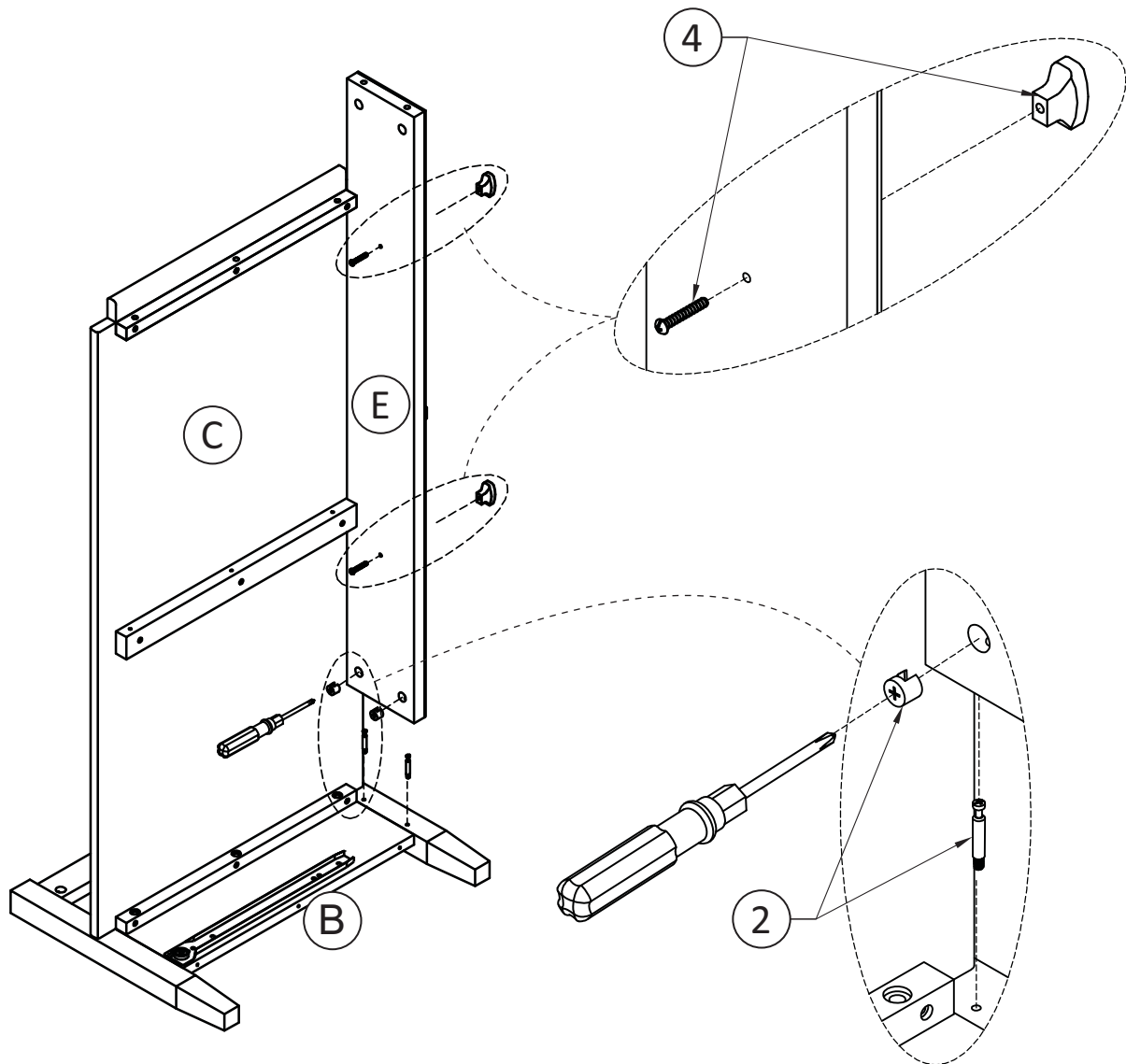
**NOTE:**

Holes are on the right side.



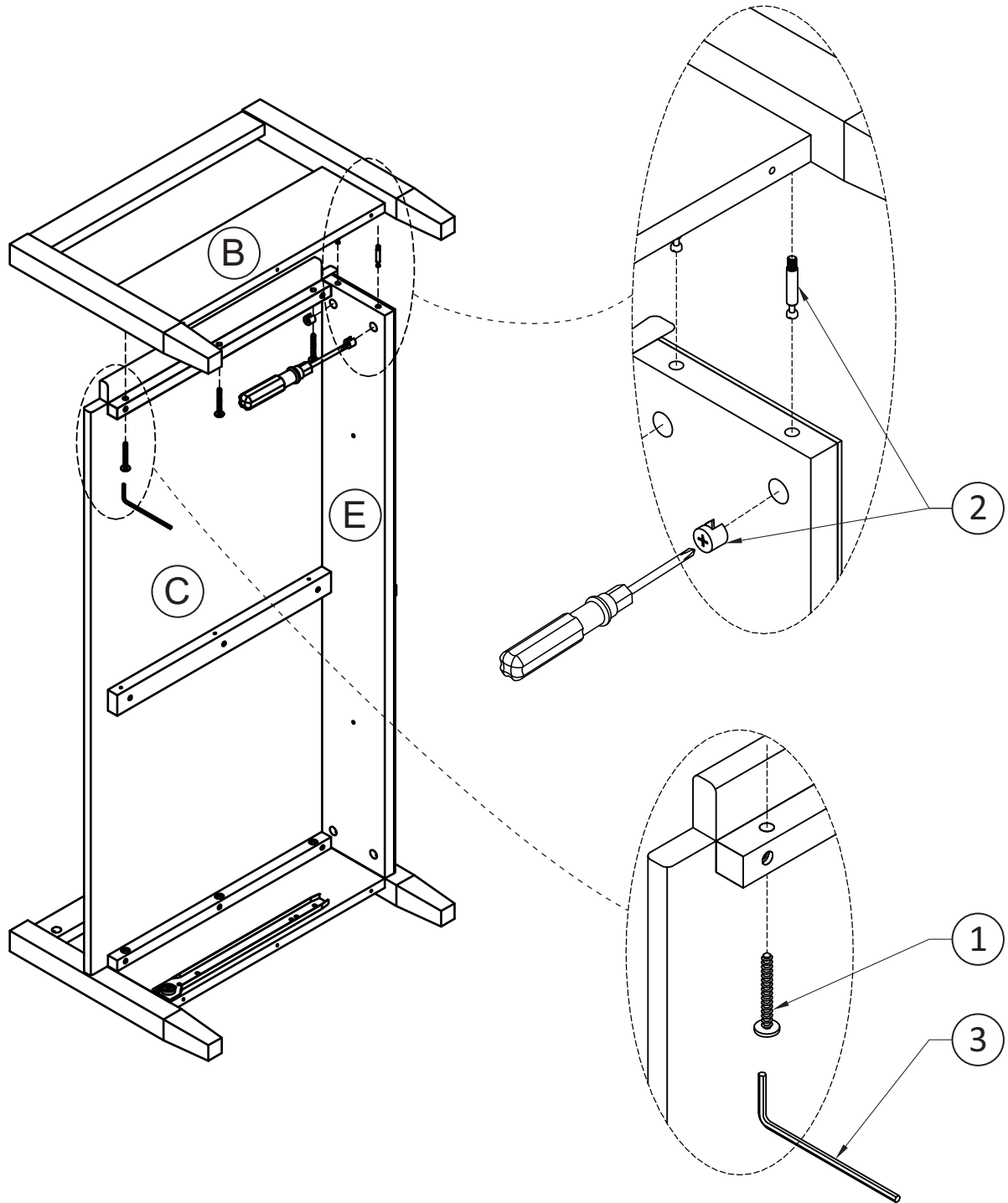
1. Attach Top Shelf (C) to one Side (B) using Allen Key Screws (1) through pre-drilled holes.

## STEP 6



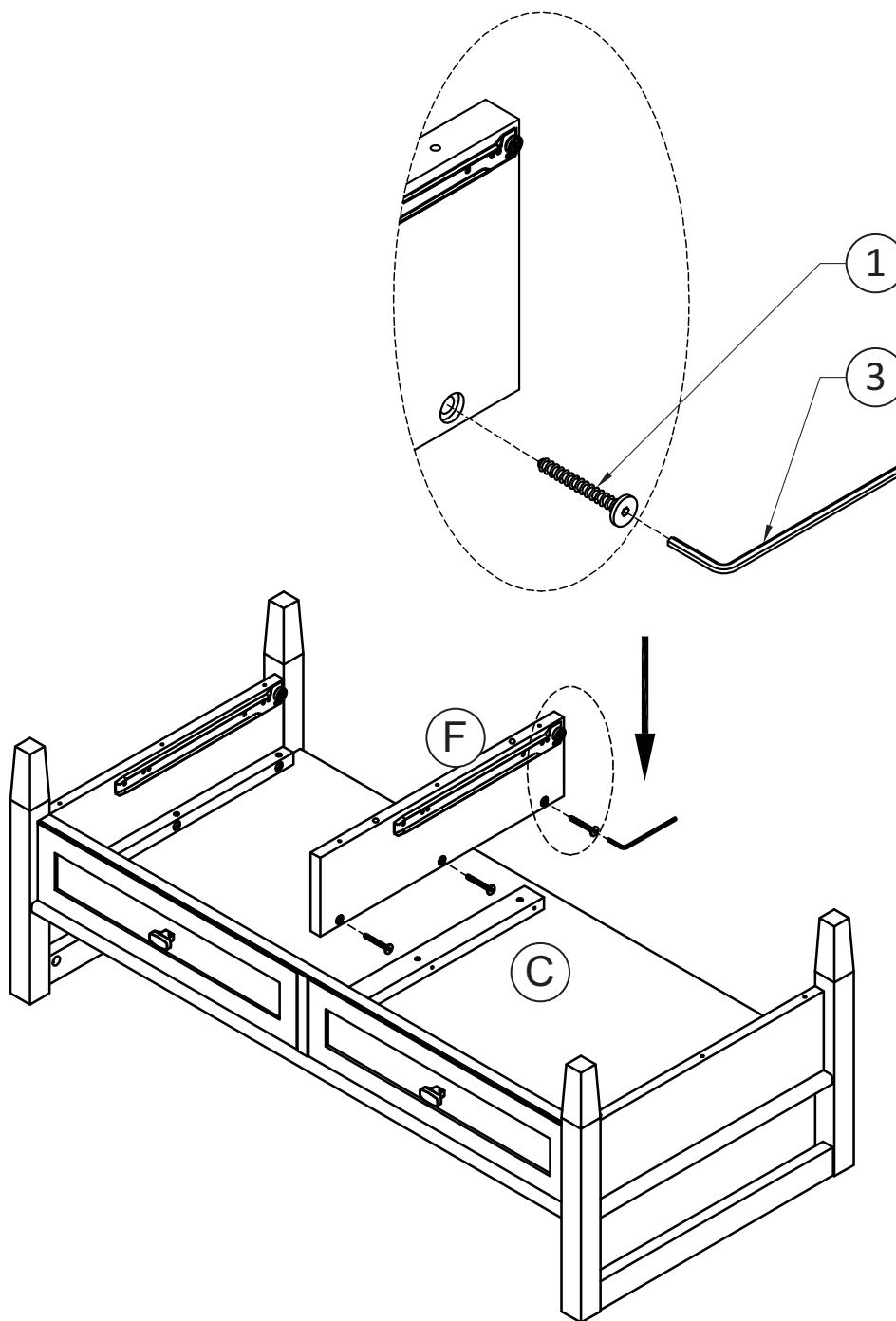
1. Attach 2 Cam Lock Pins (2) to one Side (B) using guide holes.
2. Align and insert Cam lock Pins on Side (B) into pre-drilled holes on Back (E).
3. Using a flathead screwdriver tighten Cam Locks into Pins.
4. Use Phillips screwdriver to attach Handle (4) to Back (E).

STEP 7



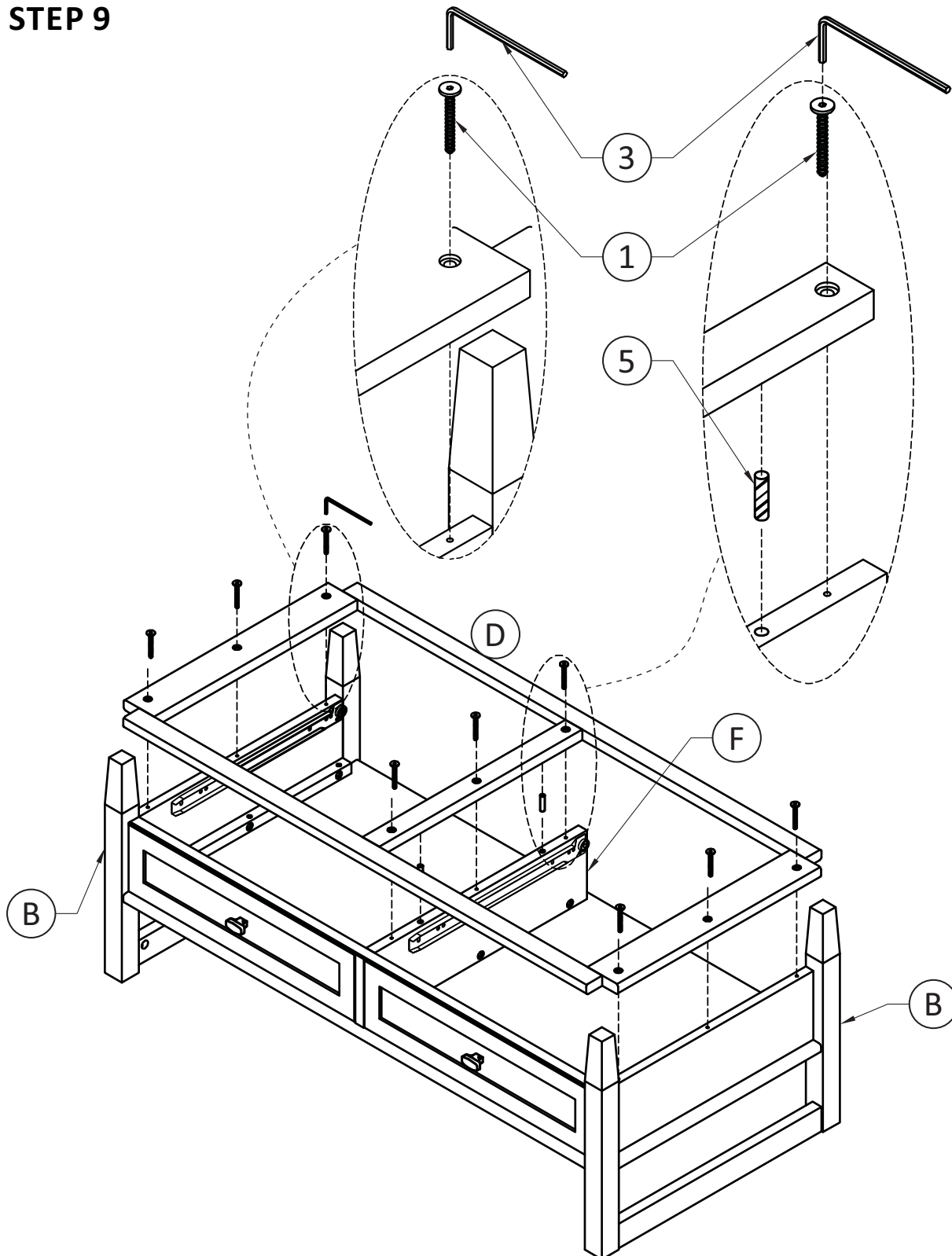
1. To attach opposite Side (B) to Top Shelf (C) and Back (E), repeat steps 5 - 6.

## STEP 8



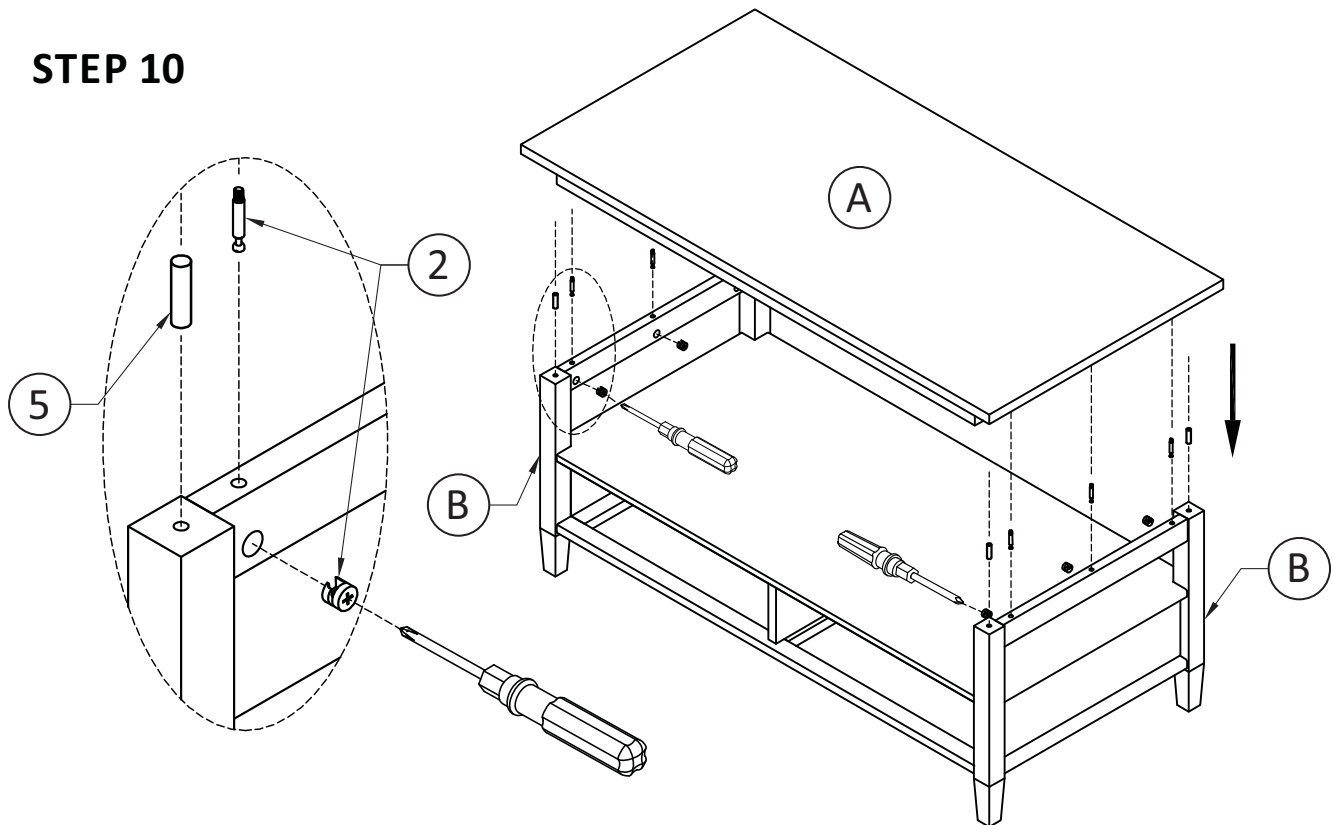
1. Attach Centre Drawer (F) to Top Shelf (C) using Allen Key Screws (1) through pre-drilled holes.

## STEP 9



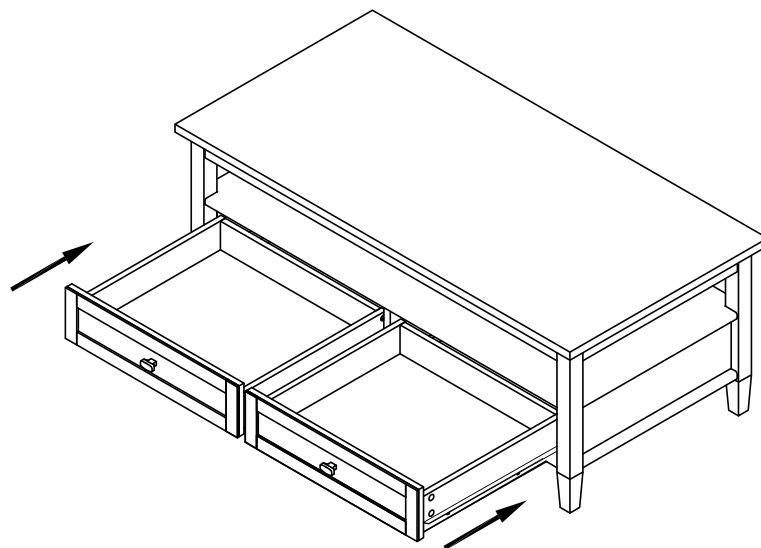
1. Insert 2 Dowels (5) into pre-drilled holes on the Centre Drawer (F).
2. Use rubber mallet to tap Dowels (5) into bottom of holes securely. 1/2 length of Dowels should be exposed.
3. Attach Bottom Shelf (D) to Sides (B) and Centre Drawer (F) using Allen Key Screws (1) through pre-drilled holes.

## STEP 10



1. Insert Dowels (5) into each corner of Side (B).
2. Use rubber mallet to tap Dowels (5) into bottom of holes securely. 1/2 length of Dowels should be exposed.
3. Attach 6 Cam Lock Pins (2) to bottom of Top (A).
4. Align and insert Cam Lock Pins on Top (A) into pre-drilled holes on Sides (B).
5. Using a flathead screwdriver tighten Cam Locks into Pins.

## STEP 11



1. Insert assembled drawer into glides on assembled table.
2. Drawers can be inserted into either side of table opening.



## WARRANTY

Thank you for purchasing a **Simpli Home – Wyndenhall – Brooklyn + Max** product. These products have been made to demanding, high-quality standards and are guaranteed for domestic use against manufacturing faults for a period of 12 months from the date of purchase. This warranty does not affect your statutory rights.

In case of any malfunction of your product (failure, missing parts, etc.) please contact us at our toll free service line at 1-866-518-0120 ext. 262 from 9 am to 4 pm, Monday to Friday, Eastern Standard Time or by email at [simpli-home.com/customer-support](mailto:simpli-home.com/customer-support).

We reserve the right to repair or replace the defective product, at its discretion.

This product is guaranteed for 12 months if used for normal purposes. Any warranty is invalid if the product has been overloaded or subject to neglect, improper use or an attempted repair by other than an authorized agent. Heavy-duty or daily professional/commercial usage are not guaranteed.

Due to continuous product improvement, we reserve the right to change the product specifications without prior notice.





**Question, problems, missing parts?**

**Before returning your product**  
please email Customer Support at  
[simpli-home.com/customer-support](mailto:simpli-home.com/customer-support)

or call

Customer Support at 1-866-518-0120 ext. 262  
Monday to Friday between 9 am – 4 pm EST

For more information visit us on our website  
[www.simpli-home.com](http://www.simpli-home.com)

Like us on facebook  
[www.facebook.com/simplihomefurnishings](http://www.facebook.com/simplihomefurnishings)