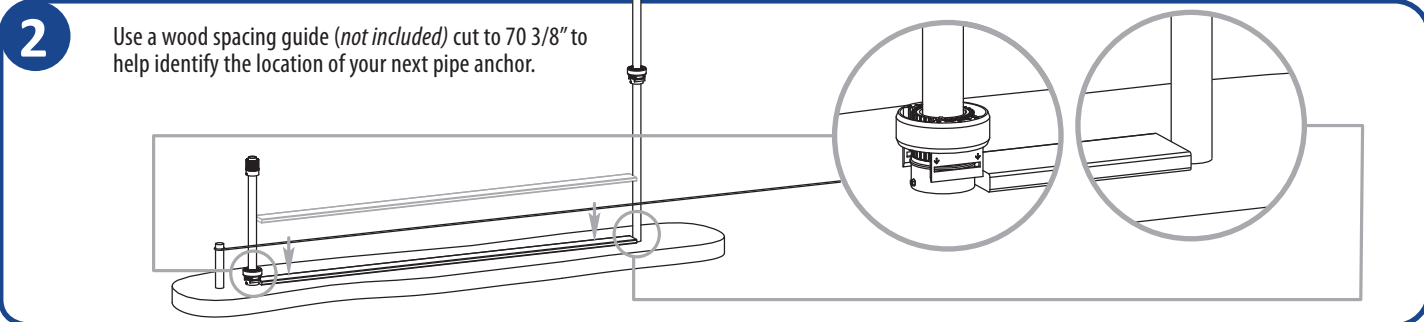
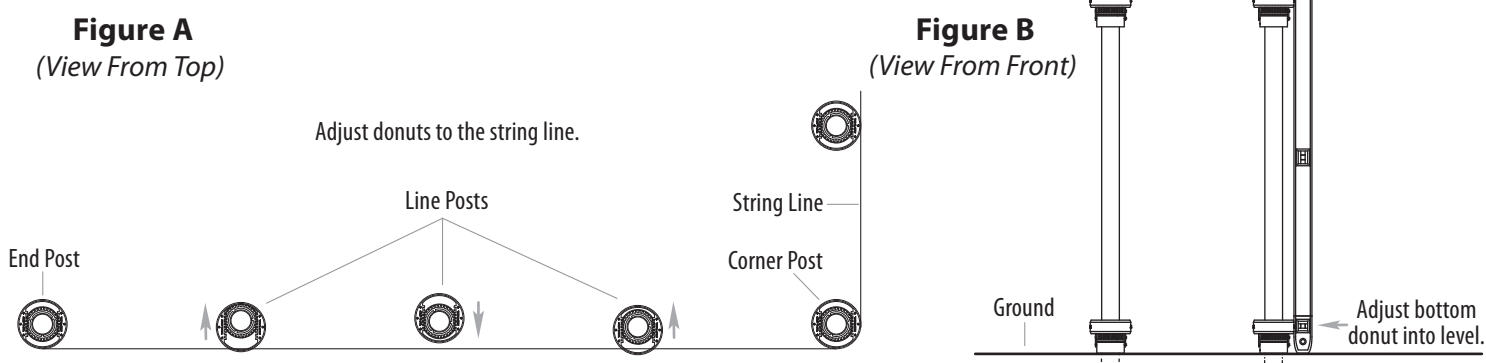


TIPS

- Careful planning & measuring of your fence is essential. Moving pipes once driven into ground is extremely difficult.
- After you install your first panel and you have gone thru the learning curve, you can opt to temporarily remove your fence panel and posts and continue driving all your pipe. This will enable you to work with an unobstructed string line.
- When cutting PVC use a fine-toothed metal or wood blade.
- For easier spacing of pipe anchors, you can optionally use a piece of 1x4 wood lumber cut at 70 3/8" for step 2.



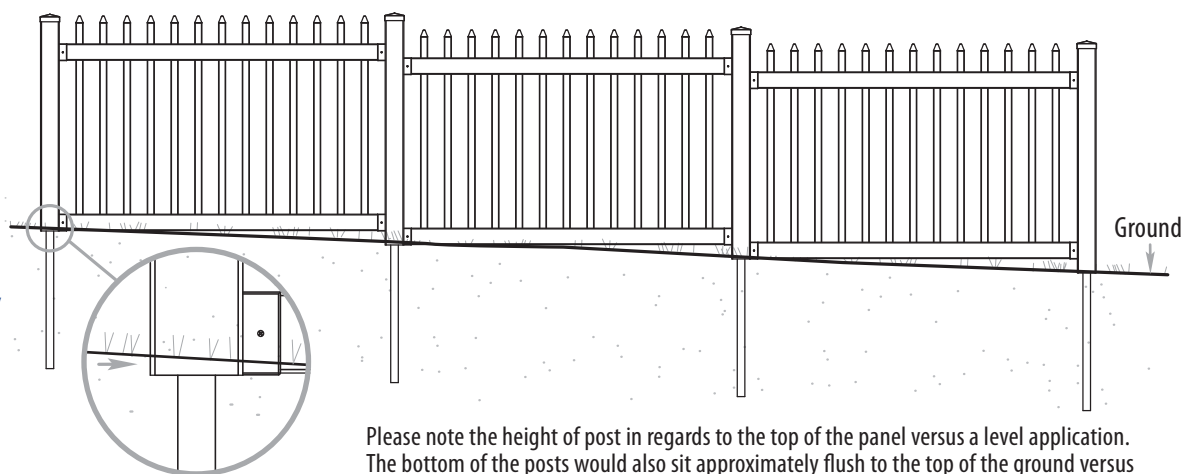
- Once your corner and end posts are set you can use your string line to adjust your top donuts into alignment for a straight fence line (Figure A). Then use a level to plumb the remaining bottom donuts to ensure each post is straight and level to the connecting fence panel (Figure B).



- Most yards are relatively level and will allow for a fairly simple installation. If your yard is steeply pitched or is very uneven you may need to stair step your panels as illustrated below. Post heights can be trimmed down as necessary.



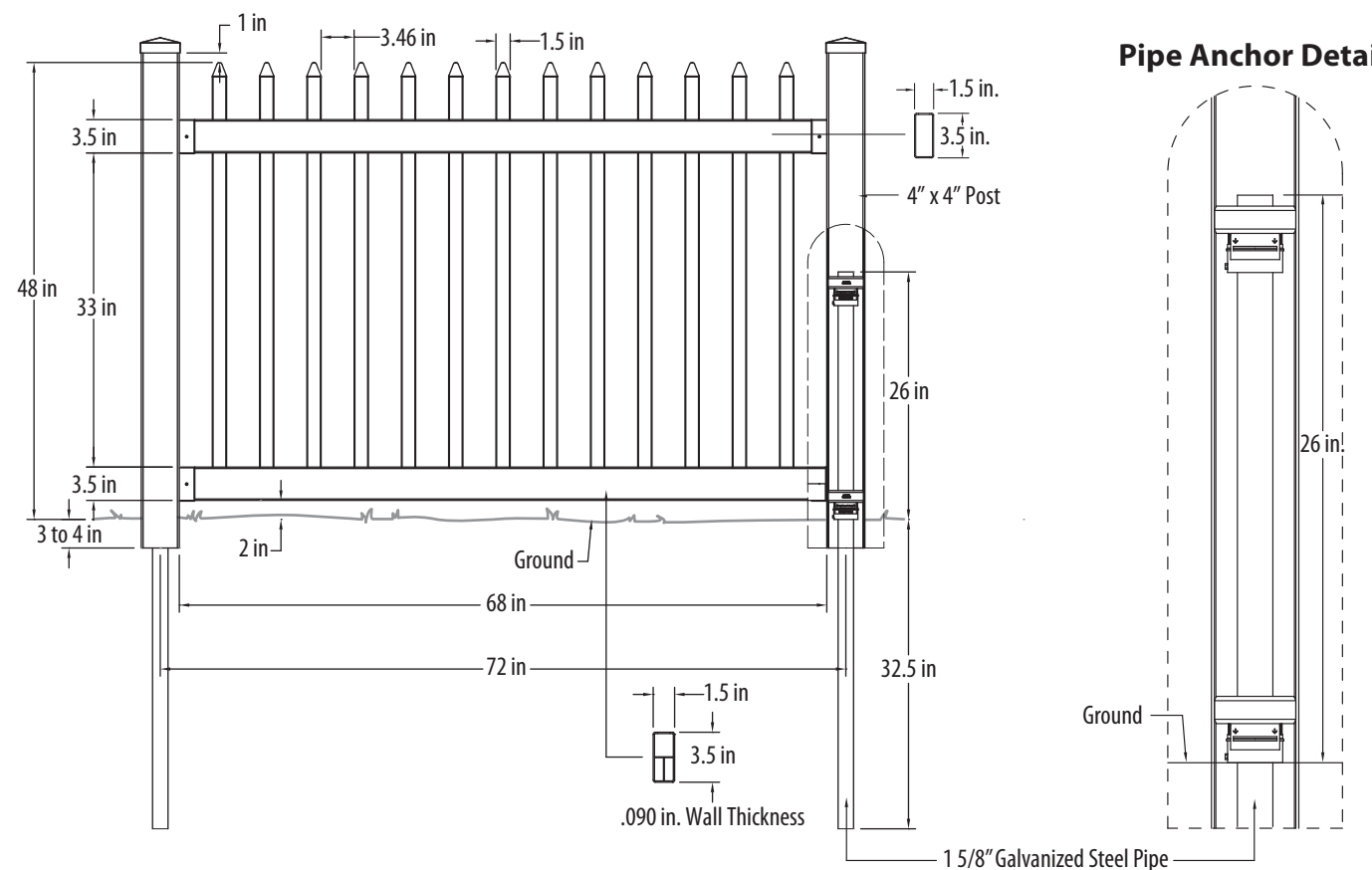
WARNING!
If your yard has a severe slope or elevation change greater than approximately 7" to 8" over one panel of fence, you will not be able to install this fence. Your post will not be long enough to accommodate.



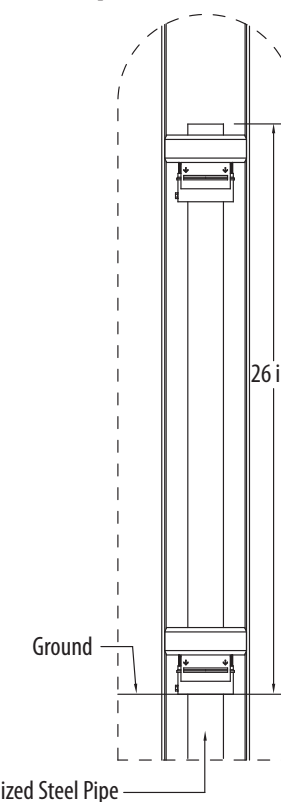
Please note the height of post in regards to the top of the panel versus a level application. The bottom of the posts would also sit approximately flush to the top of the ground versus being buried into the ground 1" to 3".

PRODUCT OVERVIEW

This fence can easily be trimmed down in width to accommodate shorter applications.



Pipe Anchor Detail



BOX CONTENTS

Each Fence Panel Box Includes:

- Post Cap (1)
- 4"x4" Vinyl Post (1)
- Top Rail (1)
- Pickets (13)
- Bottom Rail (1)
- Brackets (4)
- #10 x 1in. Stainless Steel Screws (24) For Brackets
- Steel Pipe Anchor w/Gears and Donuts (1)

Sold Separately:

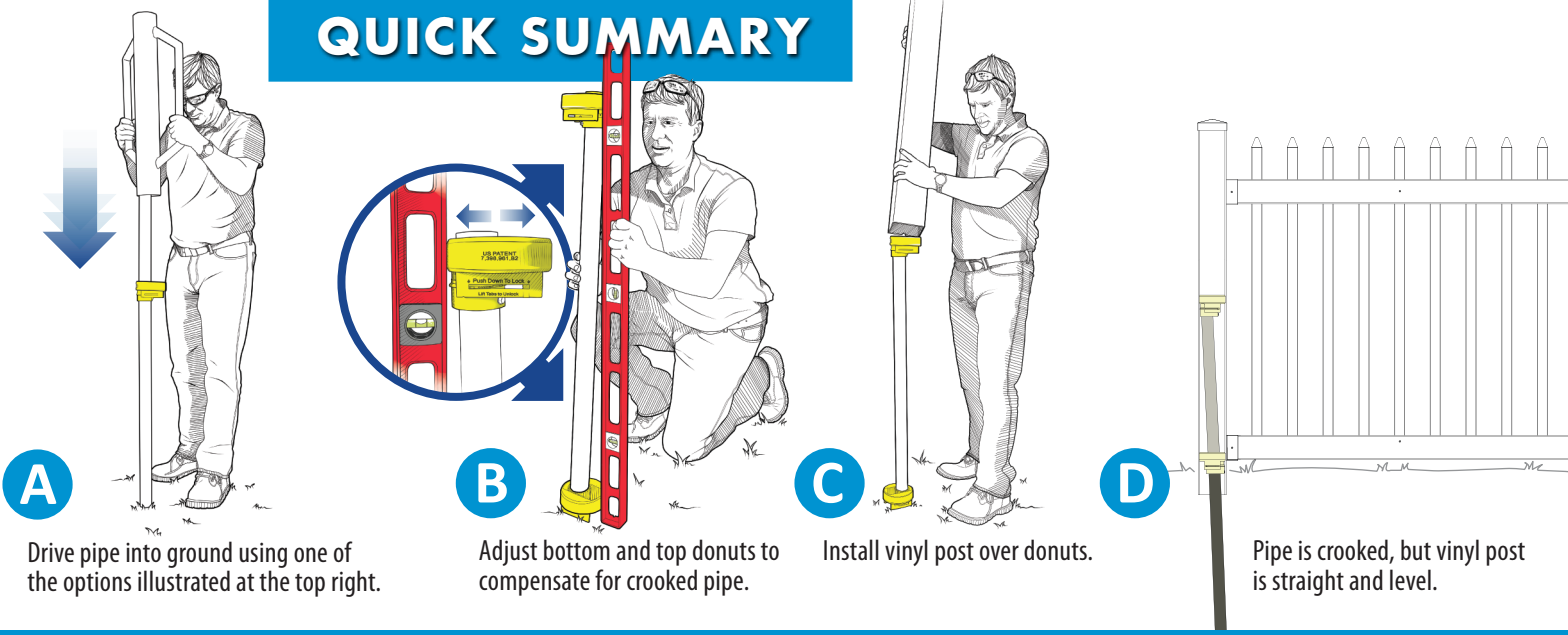
- 4"x4" Finishing Post w/Cap and No-Dig Steel Pipe Anchor Kit

4"x4" Finishing Post w/Cap and No-Dig Steel Pipe Anchor Kit **Sold Separately** (see note on left)



Please visit www.wambamfence.com or call us at 1-877-778-5733 for answers to your other questions. We are eager to help you succeed in your project. Thanks for choosing WamBam and all the best with your project.

QUICK SUMMARY



A Drive pipe into ground using one of the options illustrated at the top right.
B Adjust bottom and top donuts to compensate for crooked pipe.
C Install vinyl post over donuts.
D Pipe is crooked, but vinyl post is straight and level.

TOOL OPTIONS FOR DRIVING PIPE INTO GROUND



5lb Sledgehammer **10lb Sledgehammer** **Post Pounder** **Hammer**
 Purchase post pounder at any hardware store or go to: www.wambamfence.com. Post pounders cost roughly \$25 to \$30 at Hardware Store (or rental stores often have for rent). Inside diameter of post pounder should be 3" diameter minimum.

1 After establishing your fence lines with string and stake, drive your first pipe into the ground. The bottom of the gear should sit just above the ground when finished.
 Try and drive the pipe as level as possible. Check level about every 12". After about 18" deep the trajectory of the pipe is usually established, and you cannot manually pull the pipe back into level (donut will not compensate for severely crooked pipe).

2 Identify location of your second pipe anchor and drive into the ground.
 Distance from plastic gear (not donut) to pipe should be 70 3/8" (or center to center of pipe at 72").

3 Re-Install Top Donuts

4 Adjust bottom and top donuts to compensate for crooked pipe.

5 Slide vinyl posts down over donuts.
 Ground can be dug out about 3" to 4" to allow post bottoms to sit below grade if necessary.

6 Install one bottom bracket on post using screws (approximately 2" off the ground).

7 Slide second bracket over the opposite end of the bottom rail and slide the rail down into the pre-installed bracket on the opposing side.
 Note: There could be a slight conflict between the head of the exposed screws and end of rail in a tight fitting application. End of rail can be notched to accommodate

8 Use a level on the top of the bottom rail to determine height of opposing bracket and mark for installation.

9 Temporarily remove bottom rail and install bracket using screws.

10 Install top brackets using screws.
 33 in.

11 Slide top and bottom rails down into the pre-installed brackets. Use screws to secure.

12 Install pickets by inserting through top rail and locking into the bottom rail.
 Warning: Pickets once inserted into bottom rail cannot be removed.

13 Trim down post tops as necessary and install post caps. Use pvc cement (not included) to secure permanently.



Avoid These Pitfalls!



1. Have you contacted local utilities?

You must call before you start installation of your fence to avoid puncturing any unseen underground utilities, especially electrical or gas lines. Fortunately, this is made easy for you.

Simply call 811 in the US, or visit www.call811.com.

In Canada, visit www.transcanada.com/contactus.html for a list of phone numbers by province.

2. Have you checked your local zoning laws?

Local zoning laws and Home Owners Associations may regulate the height, style and placement of your fence. Some locations may even require a permit.

3. Are you absolutely sure where your property line is?

Many disputes have arisen from questions about whose side the fence is on. We recommend the outside edge of your fence to be at least 2" inside your property line to avoid any encroachment on adjacent property.

4. Have you talked to your neighbors?

Your fence will become part of their yard, and you'll have an easier time building it if you can have access from both sides. Besides, you may get lucky if they decide to share the cost with you.



IMPORTANT!

5. UNSTABLE GROUND OR ROCK?

If you encounter rock or unstable ground, you can concrete the pipe into place either during installation or afterwards.



Know what's below.

Please visit www.wambamfence.com or call us at 1-877-778-5733 for answers to your other questions. We are eager to help you succeed in your project. Thanks for choosing WamBam and all the best with your project.